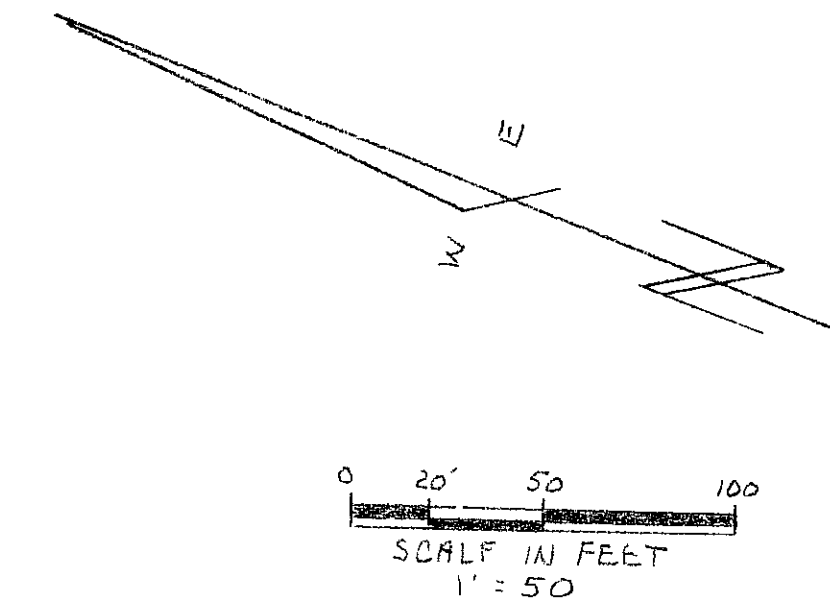


WEBB ROAD

RIVER ROAD 60



DANIEL J & CYNTHIA M JUSTICE
 Doc No 200034143
 P.P.No 3A 418-22

DAN & BEVERLY A MILIA
 VOL 829 Pg 1073
 3-18-93 L.C.R.
 P.P.No. 3A 418-23

"JAY & CYNTHIA M NAGY"
 Doc.No 200012080
 P.P.No 3A-418-06
 3 BOWZ ACRES
 ADDRESS No 4160

DAN & BEVERLY A MILIA
 VOL 829 Pg 1071
 3-18-93 L.C.R.
 P.P.No 3A-418-24

MARtha J POTTER
 VOL 1041 Pg 54
 8-19-94 L.C.R.
 P.P.No 3A-418-25
 3 1813 ACRES

THOMAS M STOREY
 VOL 708 Pg 595
 12-27-68 L.C.R.D
 P.P.No 3A-418-05

GEORGE & CAROL PROTZMAN
 VOL 436 Pg 475
 6-11-57 L.C.R.D
 P.P.No 3A-418-04

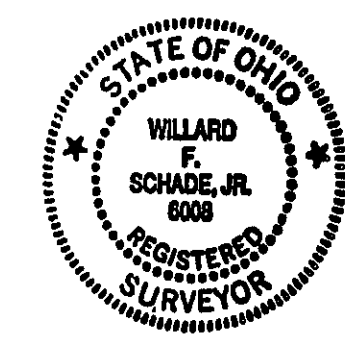
ALBERT E & JANICE L WOLF
 VOL 798 Pg 391
 12-20-74 L.C.R.D
 P.P.No. 3A 41A-16

CHARLES H & GLENDA V BROWN
 VOL 139 Pg 575
 4-25-85 L.C.R.
 P.P.No 3A 41A-10

EDWARD & ALICE LEIMBACH
 VOL 139 Pg 575
 4-25-85 L.C.R.
 P.P.No 3A 41A-11

JOHN A & ANNE L JOHNSON
 Doc No 782734706
 P.P.No 3A 41B-12

NOTE
 IRON PIPES SET ARE 1" IN DIAMETER
 30 LONG AND HAVE A YELLOW CAP
 STAMPED SCHADE 6008



SCHADE SURVEYING COMPANY 4093 LERIC STREET WILLOUGHBY, OHIO 44094 440957-6454			
OPINIAL PERRY TOWNSHIP LOT No 25	SCALE 1" = 50'	DRAWN BY EJM	REVISOR JESSE WASHBURN
BOUNDARY SURVEY FOR JAY NAGY 4160 RIVER ROAD PERRY TOWNSHIP LAKE COUNTY OHIO			
DATE 7-23-2001	APPROVED BY	DRAWING NUMBER 01-1404	