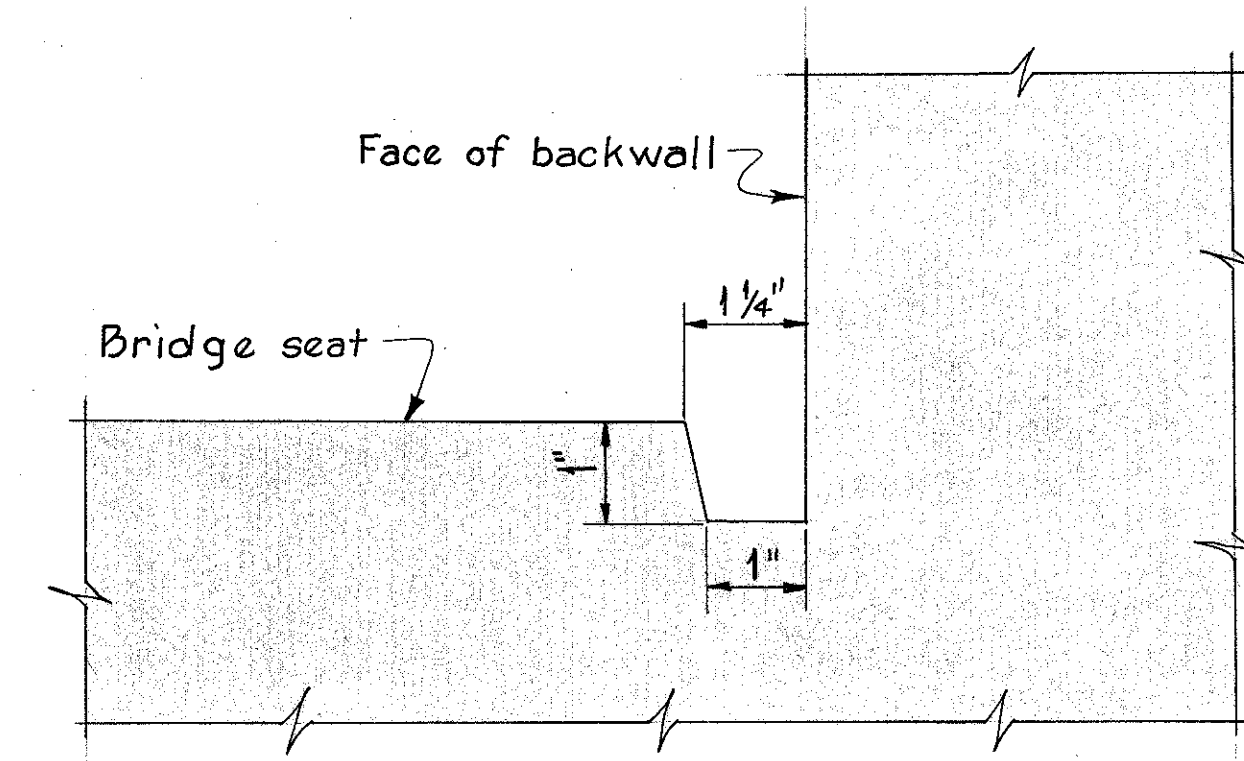
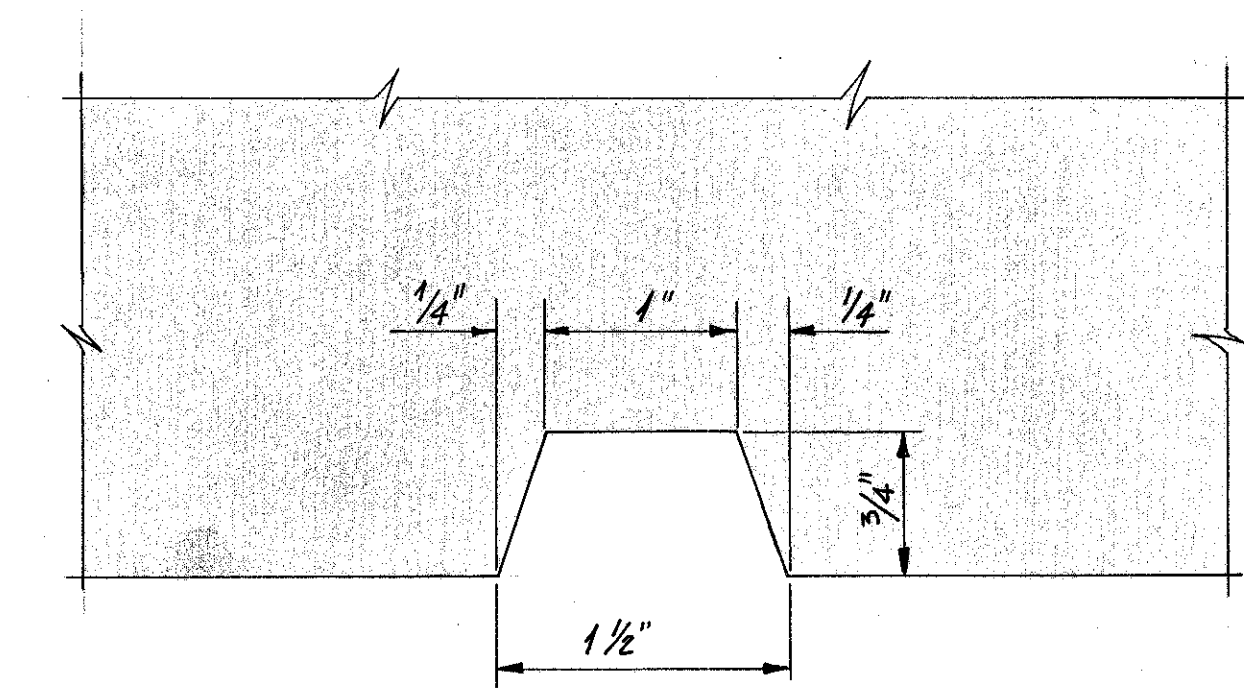
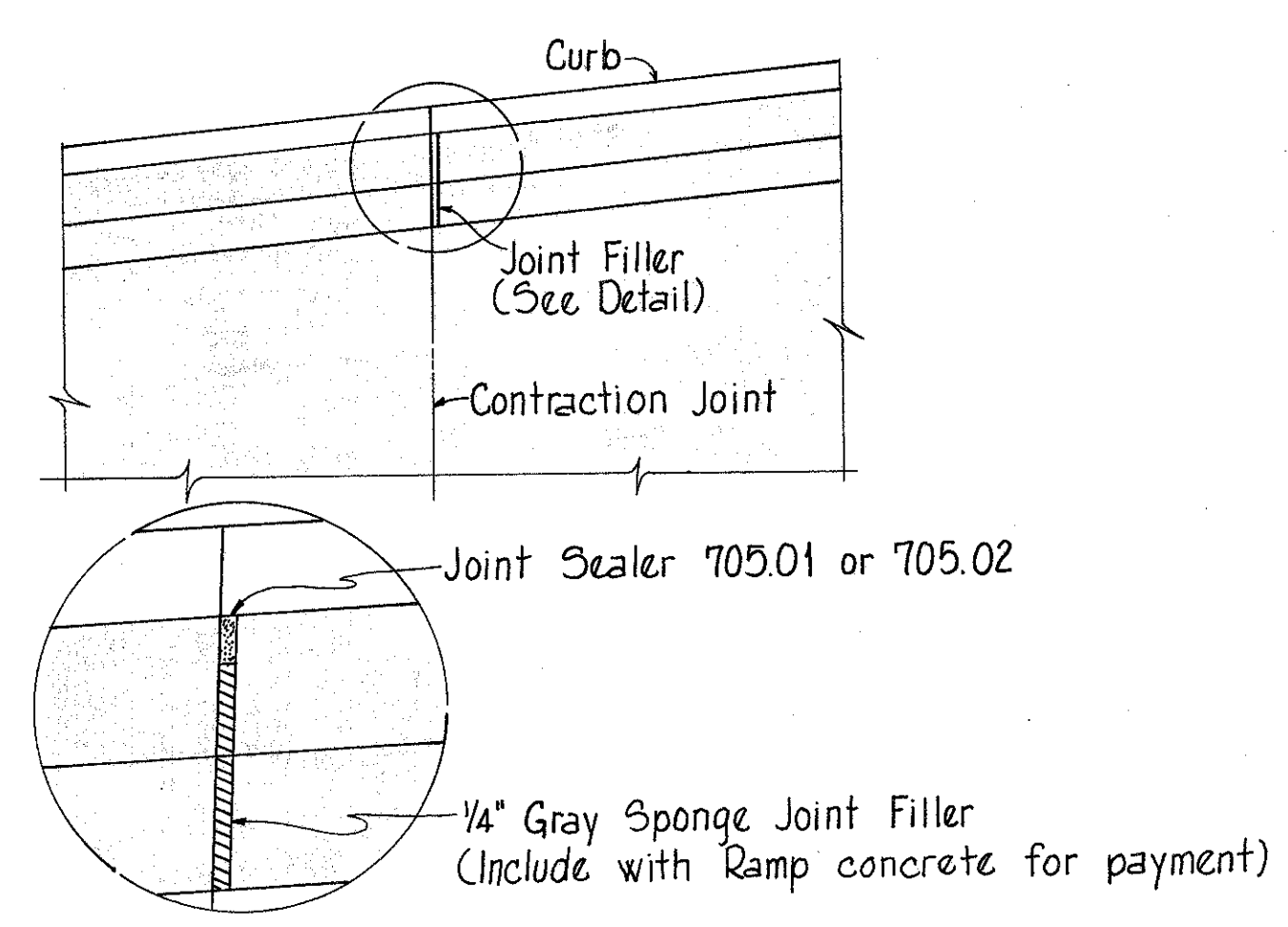
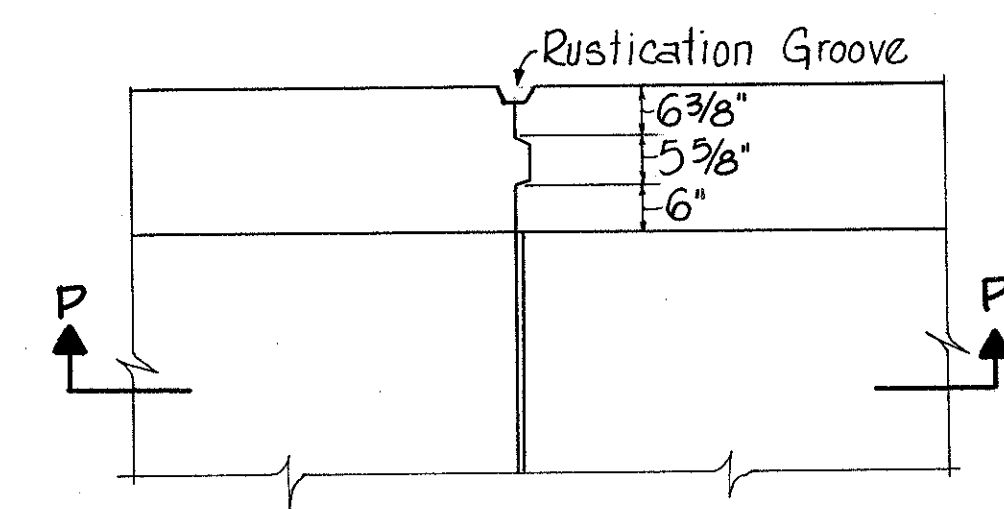
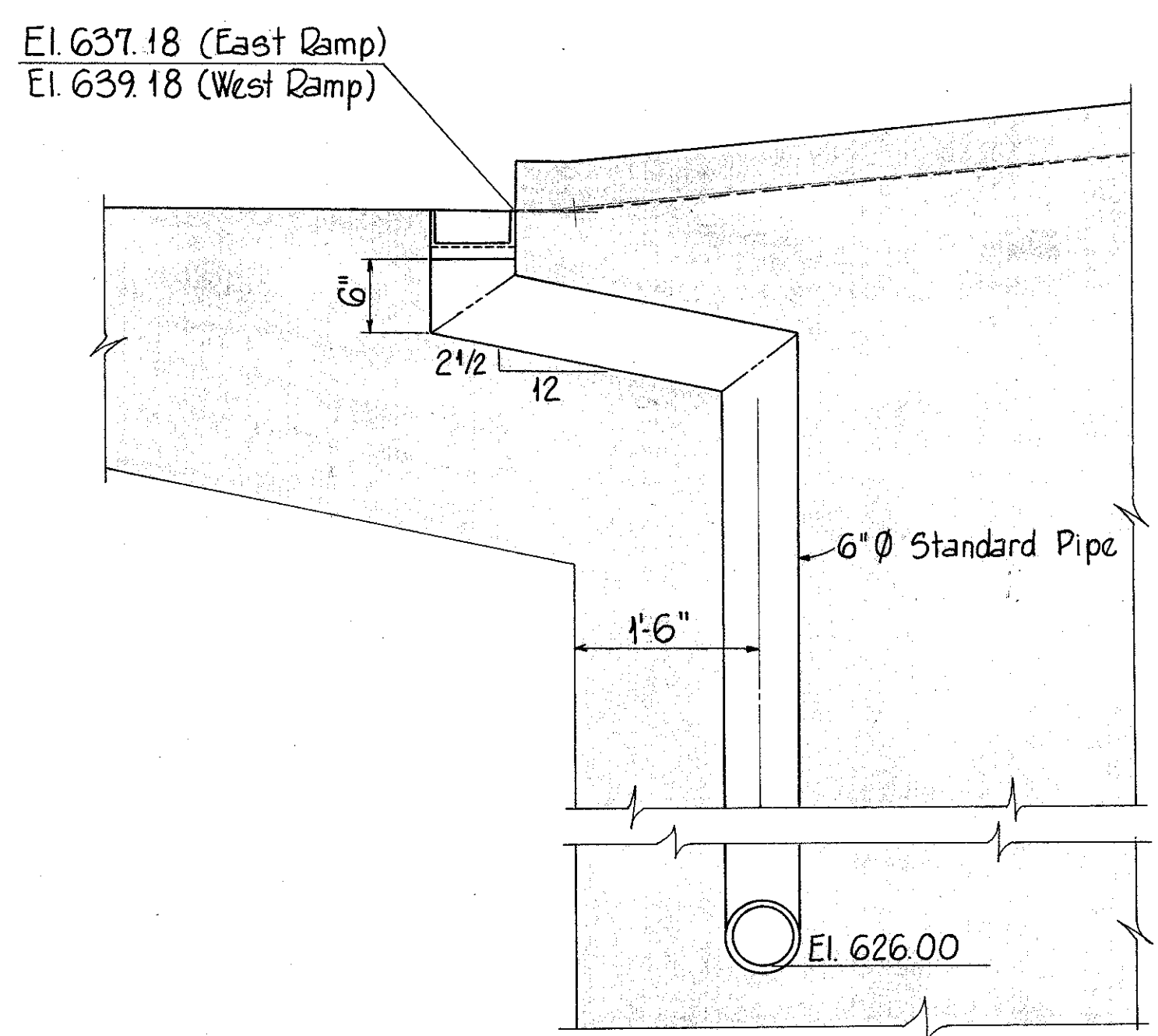
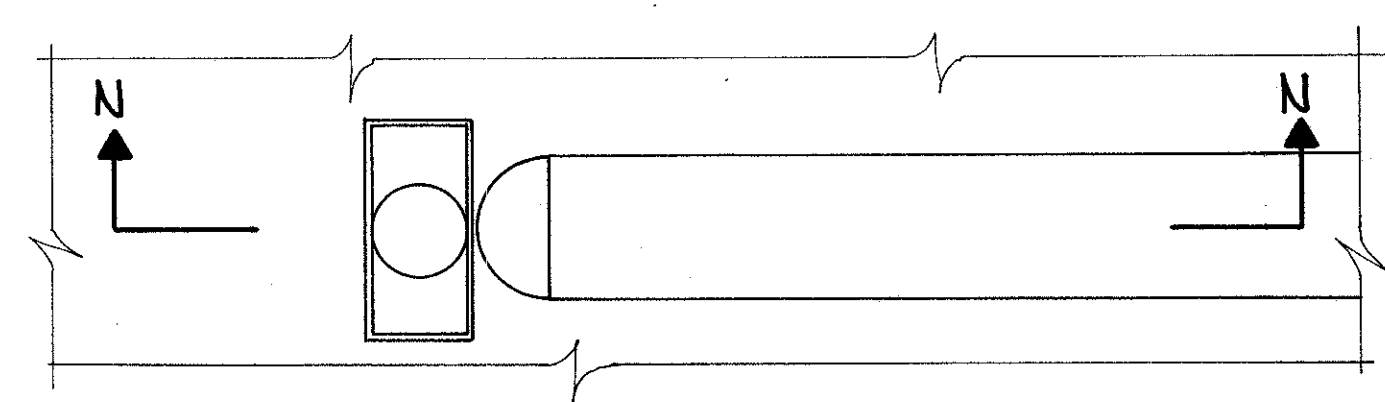
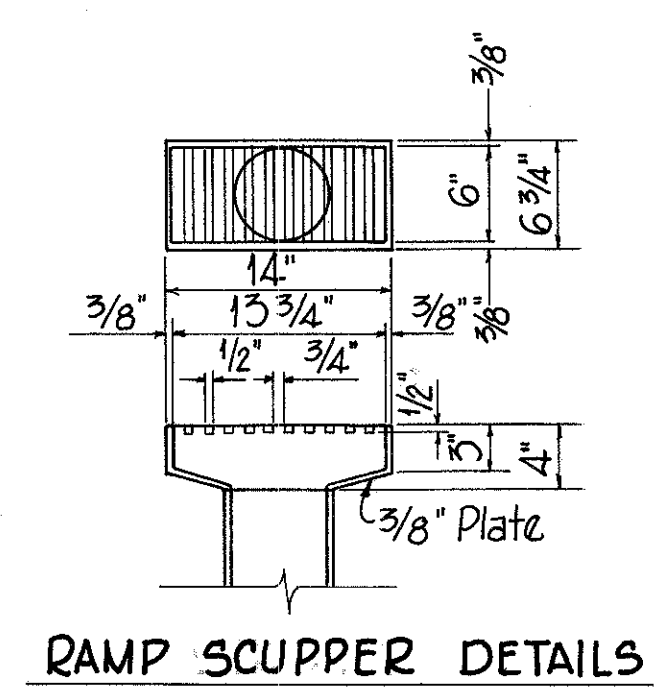
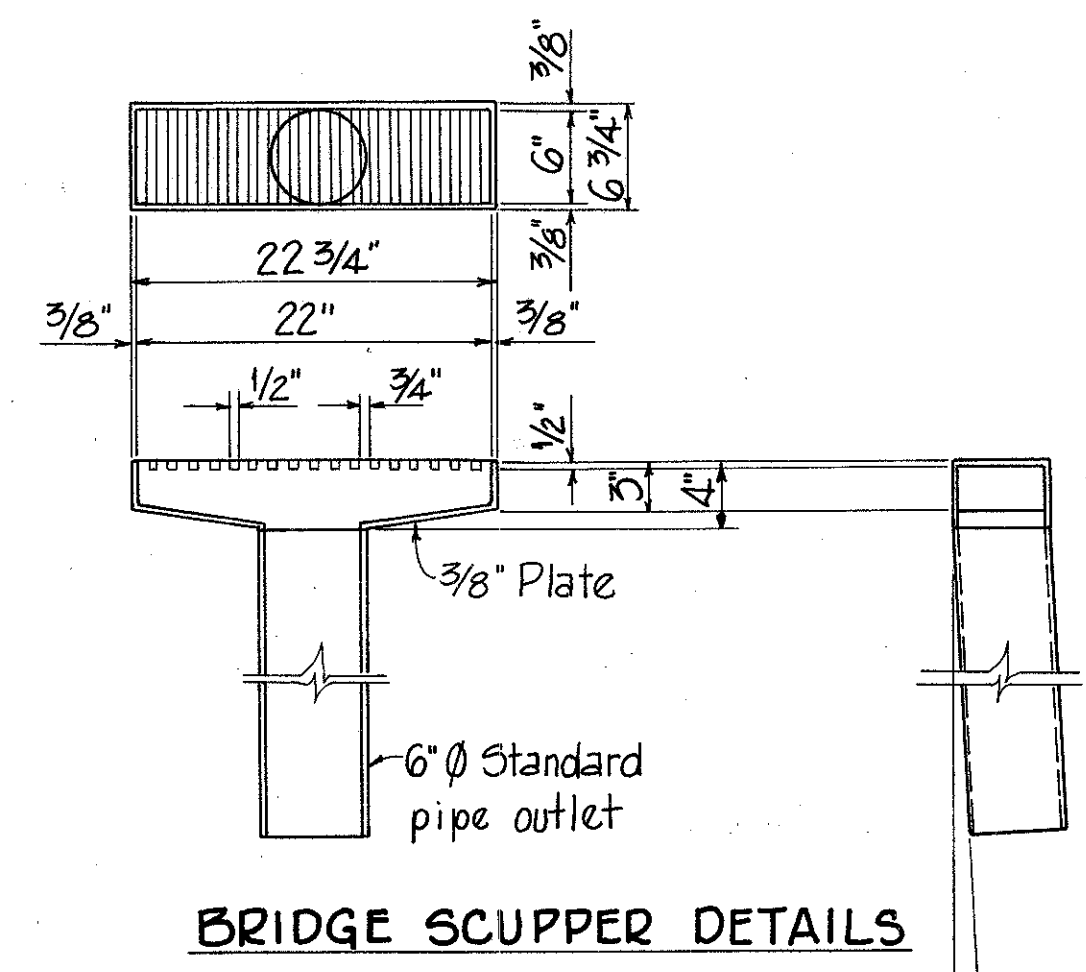
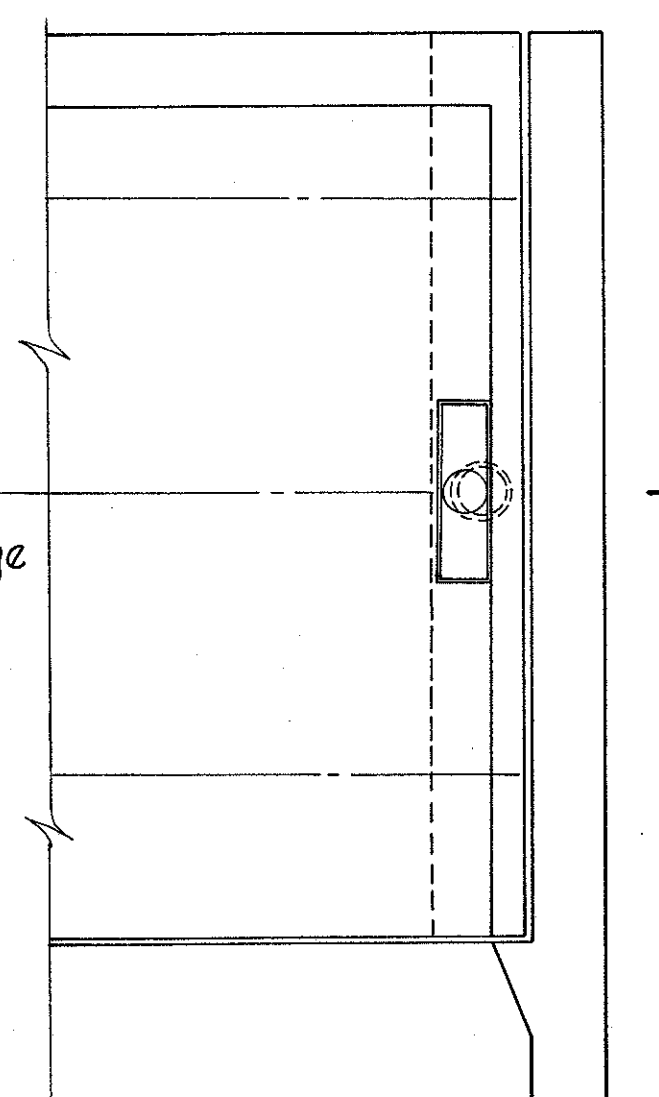
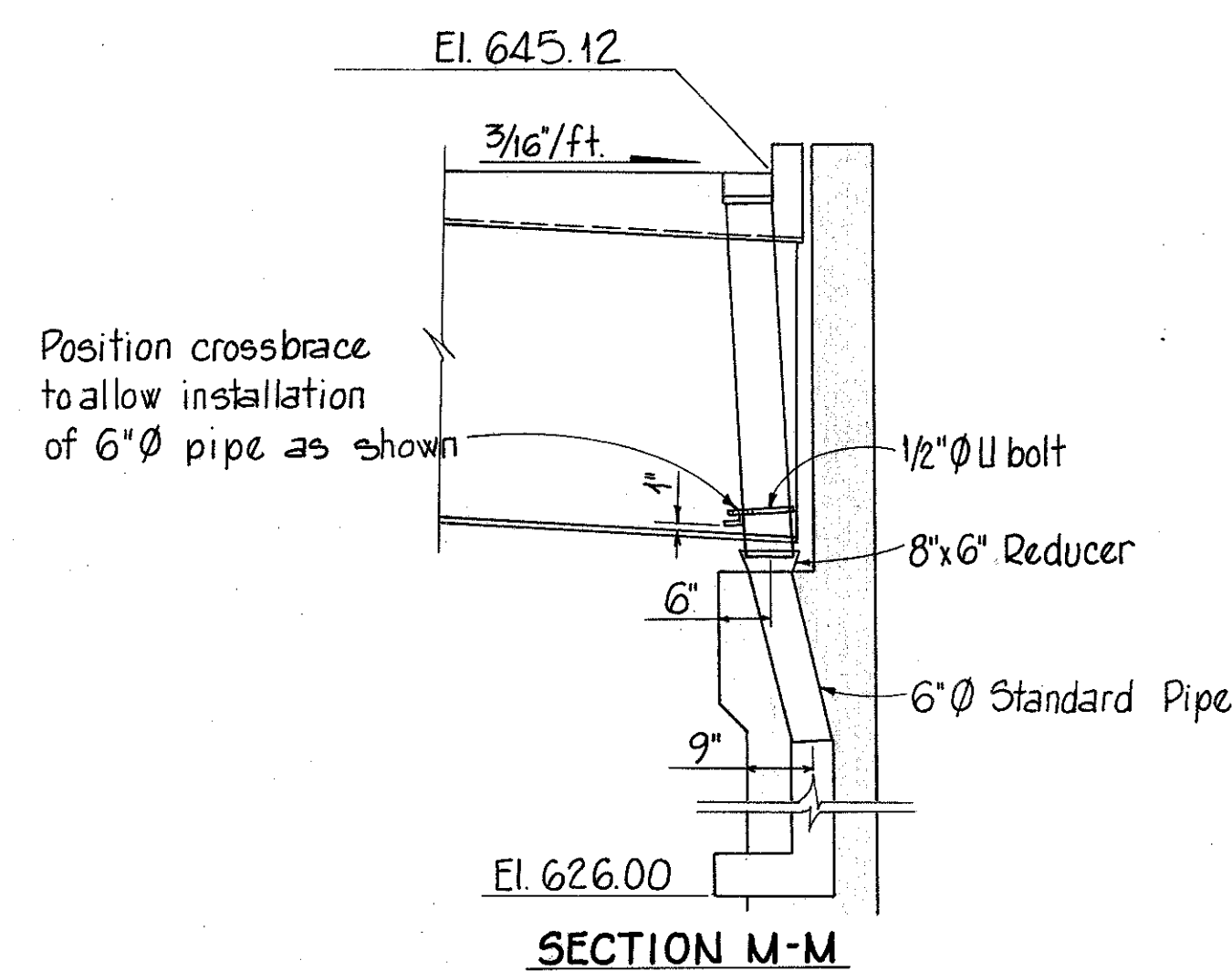


FED. RD. DIVISION	STATE	PROJECT	9
2	OHIO		14

LAKE COUNTY  
LAK-91-547



BURGESS & NIPLE LIMITED — CONSULTING ENGINEERS					
COLUMBUS, OHIO					8/9
DRAINAGE DETAILS BR. NO. LAK-91-0547 OVER S.R. 91					
LAKE COUNTY					Sta. 288+64.00
DESIGNED	DRAWN	TRACED	CHECKED	REVIEWED DATE	REVISED
M.I.G.	M.I.G.	KDC	T.E.U.	3-15-73	
				APR 3-15-78	