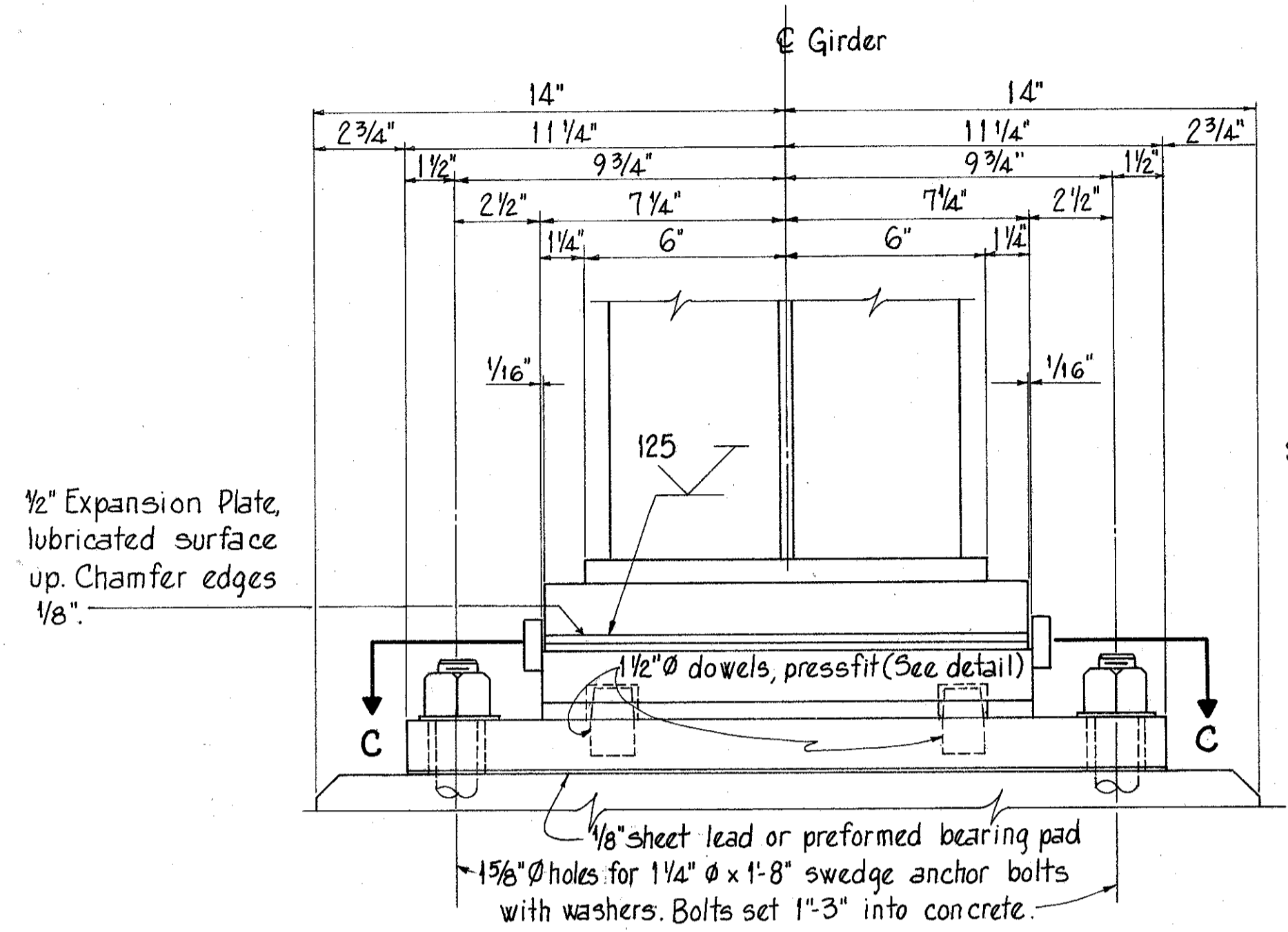
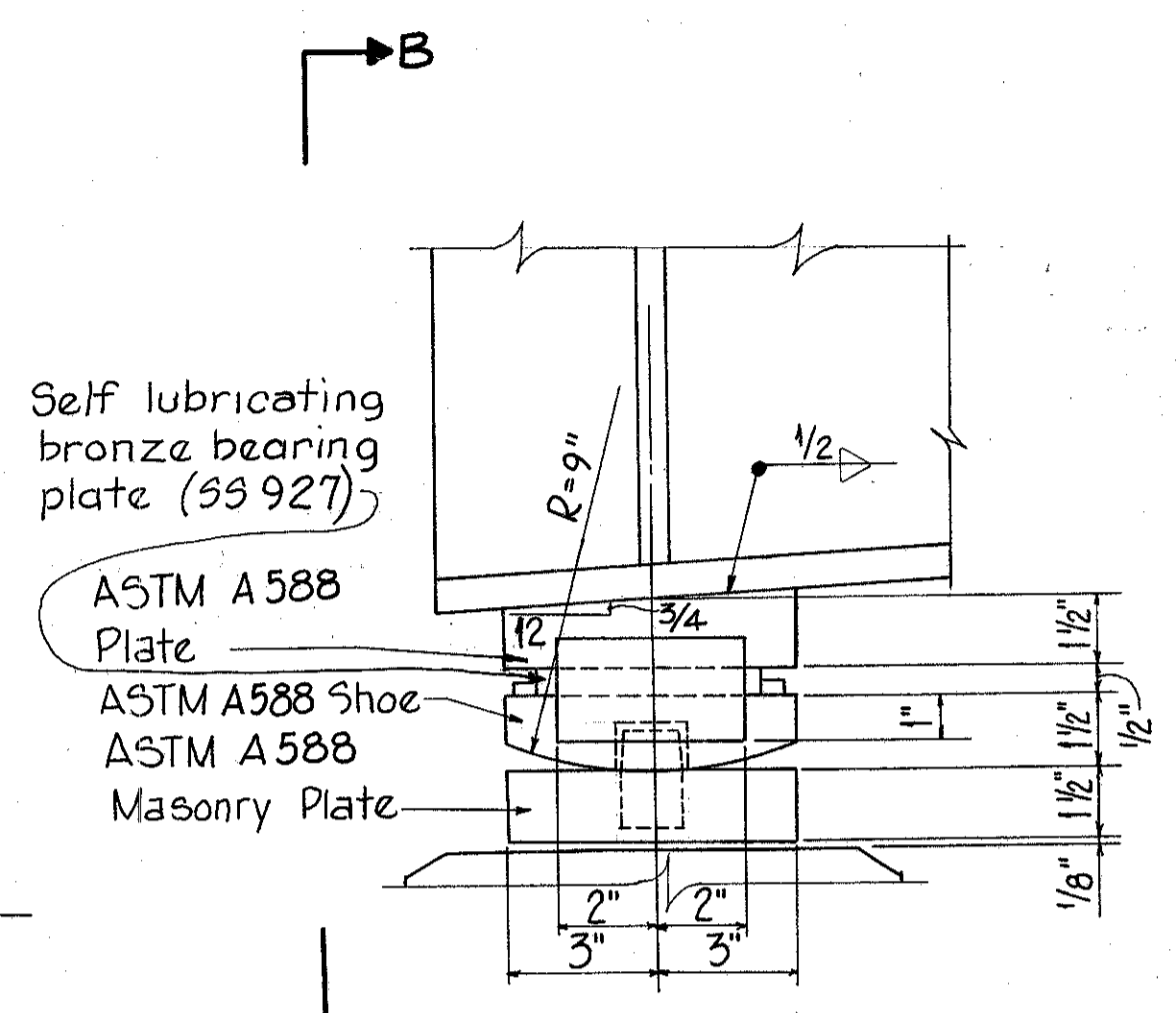


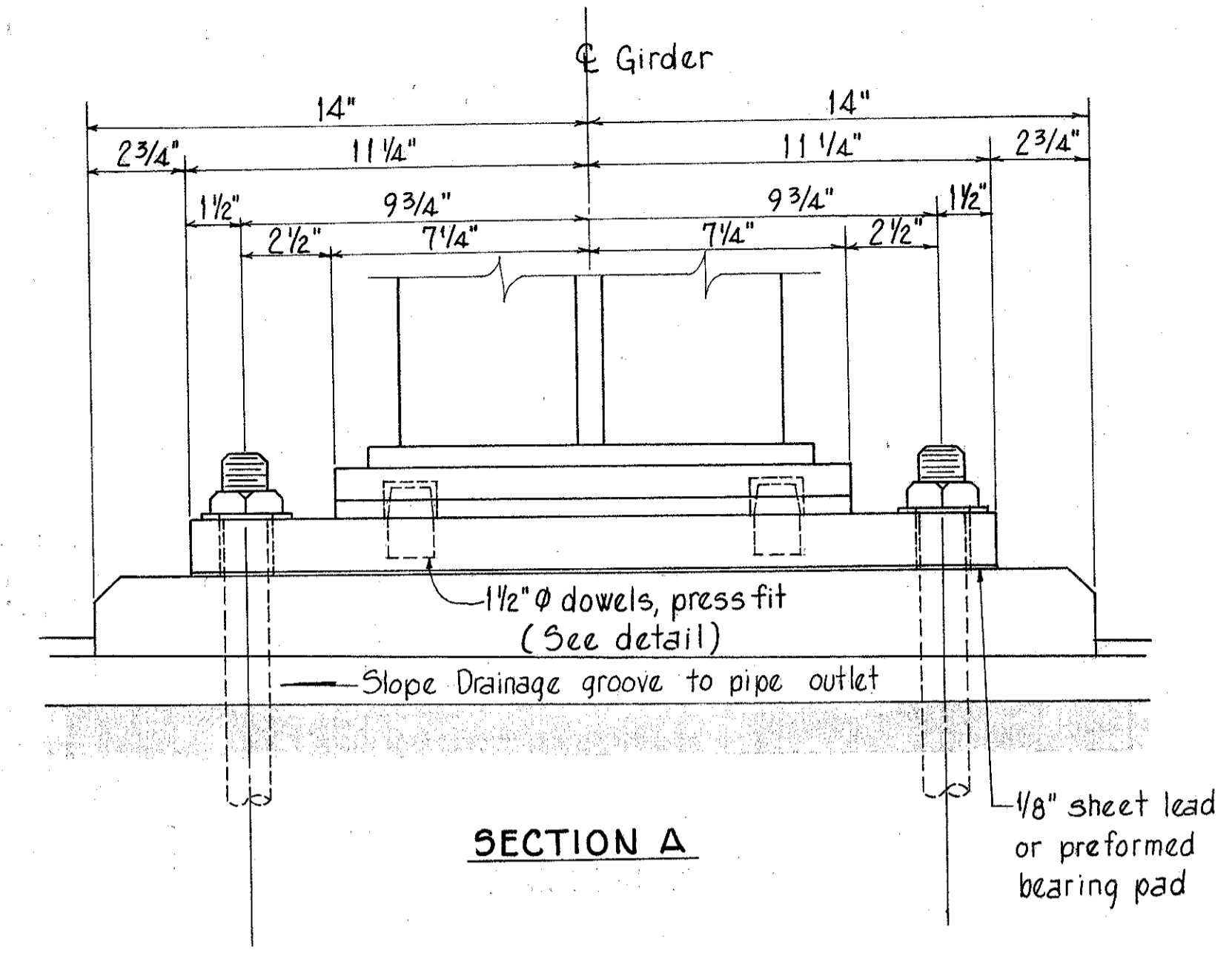
LAKE COUNTY
LAK-91-547



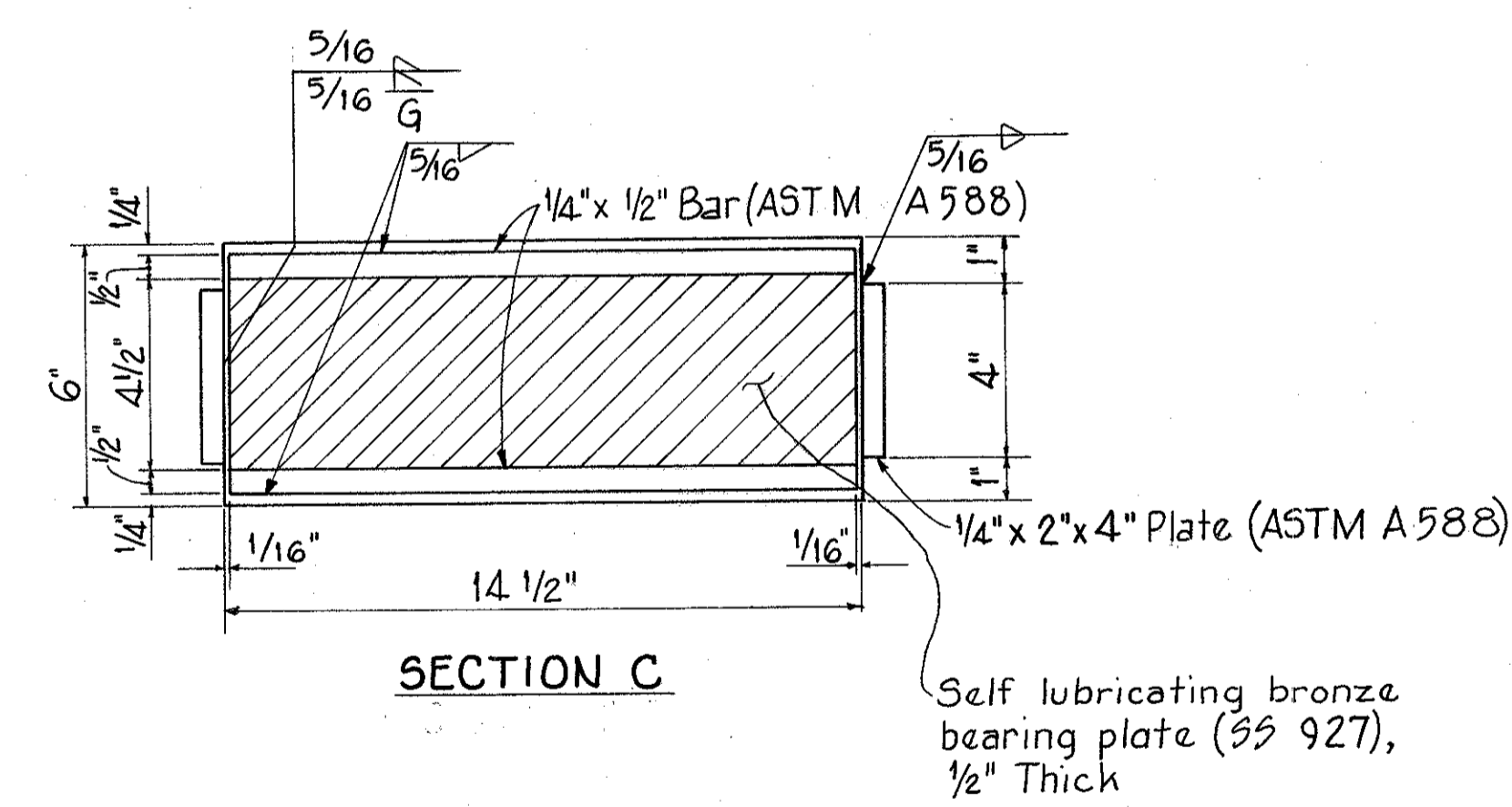
SECTION B



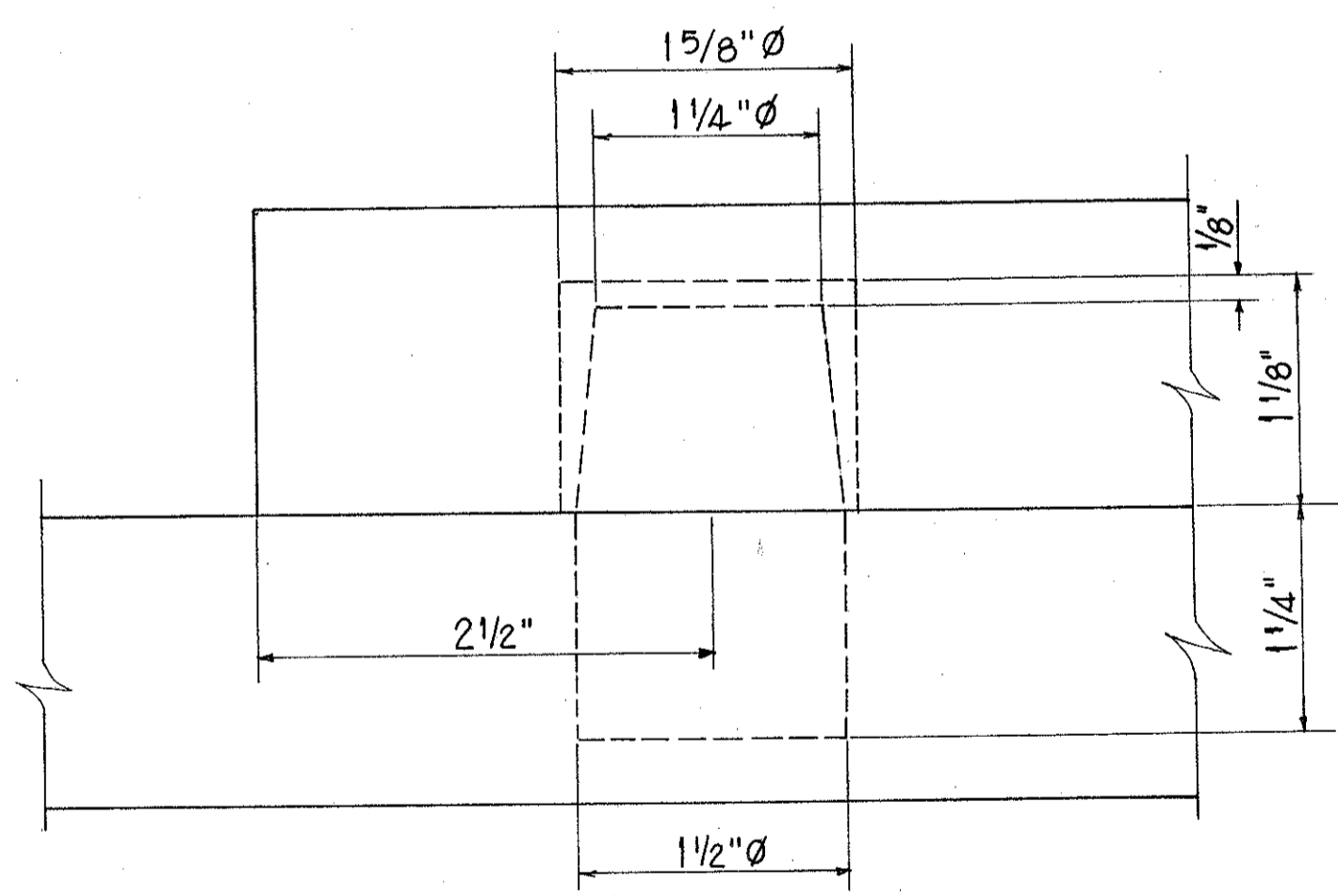
ELEVATION
WEST ABUTMENT



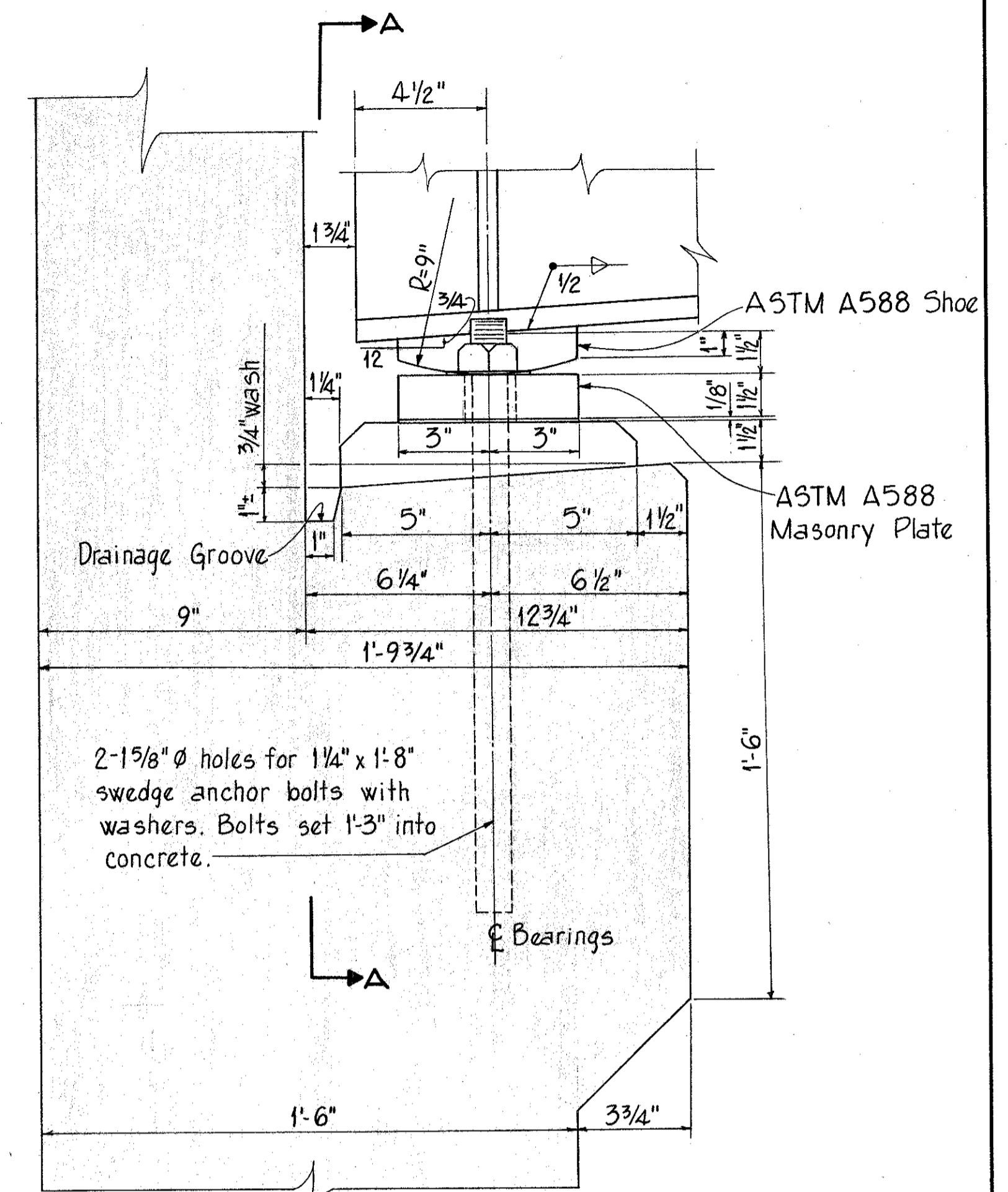
SECTION A



SECTION C



DOWEL DETAIL (A588 Steel)



ELEVATION
EAST ABUTMENT

BURGESS & NIPLE LIMITED — CONSULTING ENGINEERS					
COLUMBUS, OHIO					
7/9					
BEARING DETAILS BR. NO. LAK-91-0547 OVER SR. 91					
LAKE COUNTY Sta. 288+64.00					
DESIGNED	DRAWN	TRACED	CHECKED	REVIEWED DATE	REVISED
MIG.	WER	KDC 2-16-73	T.E.H. 3-9-73	WER 3-15-73	