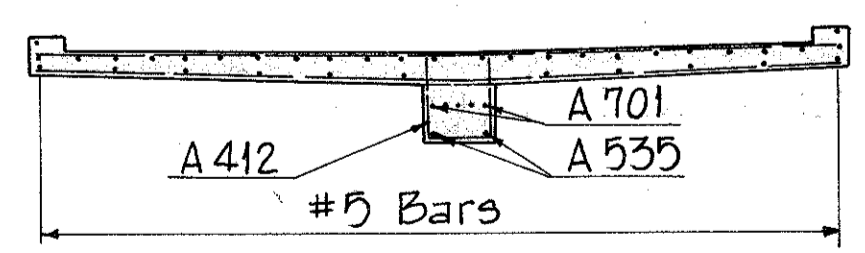
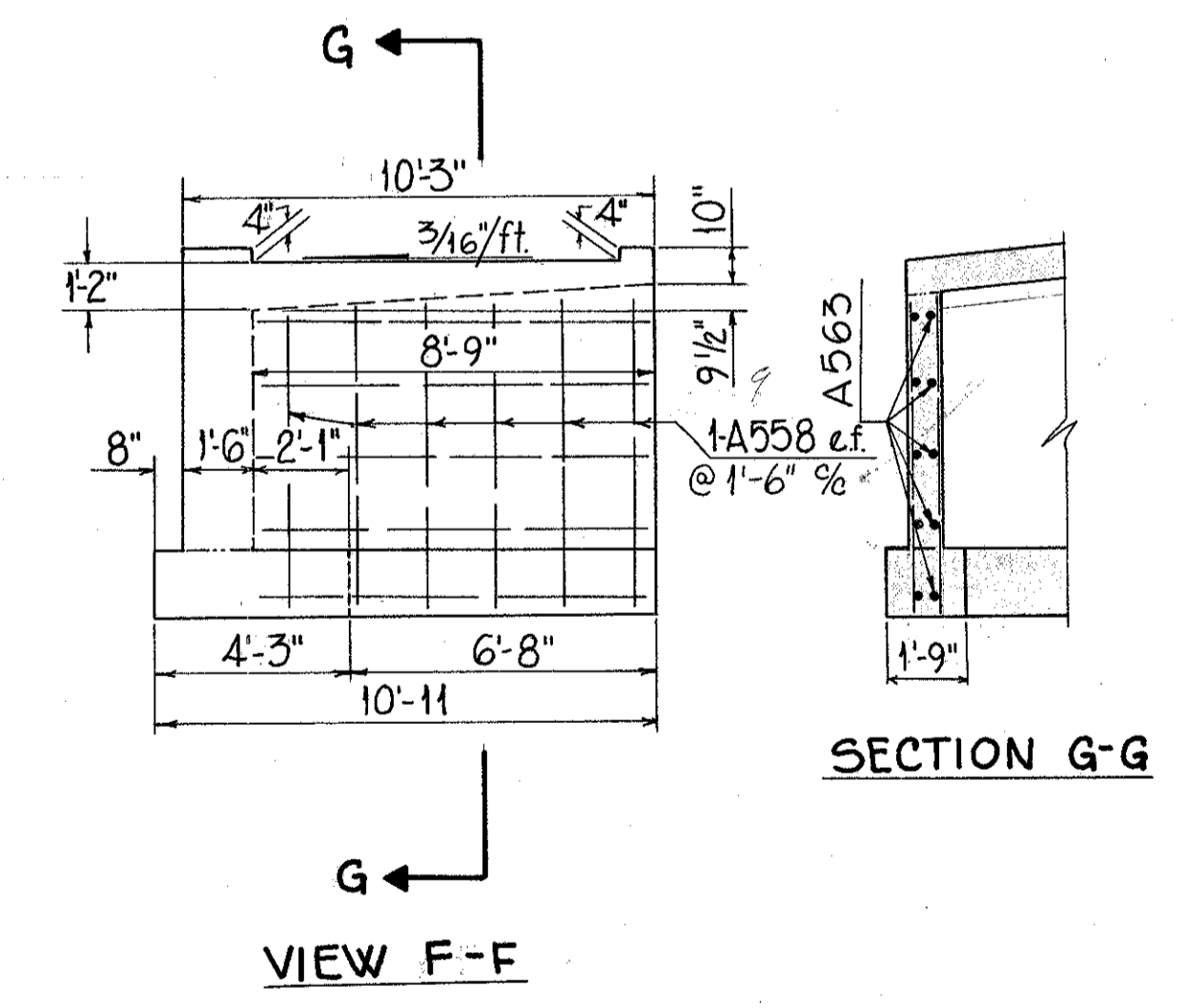
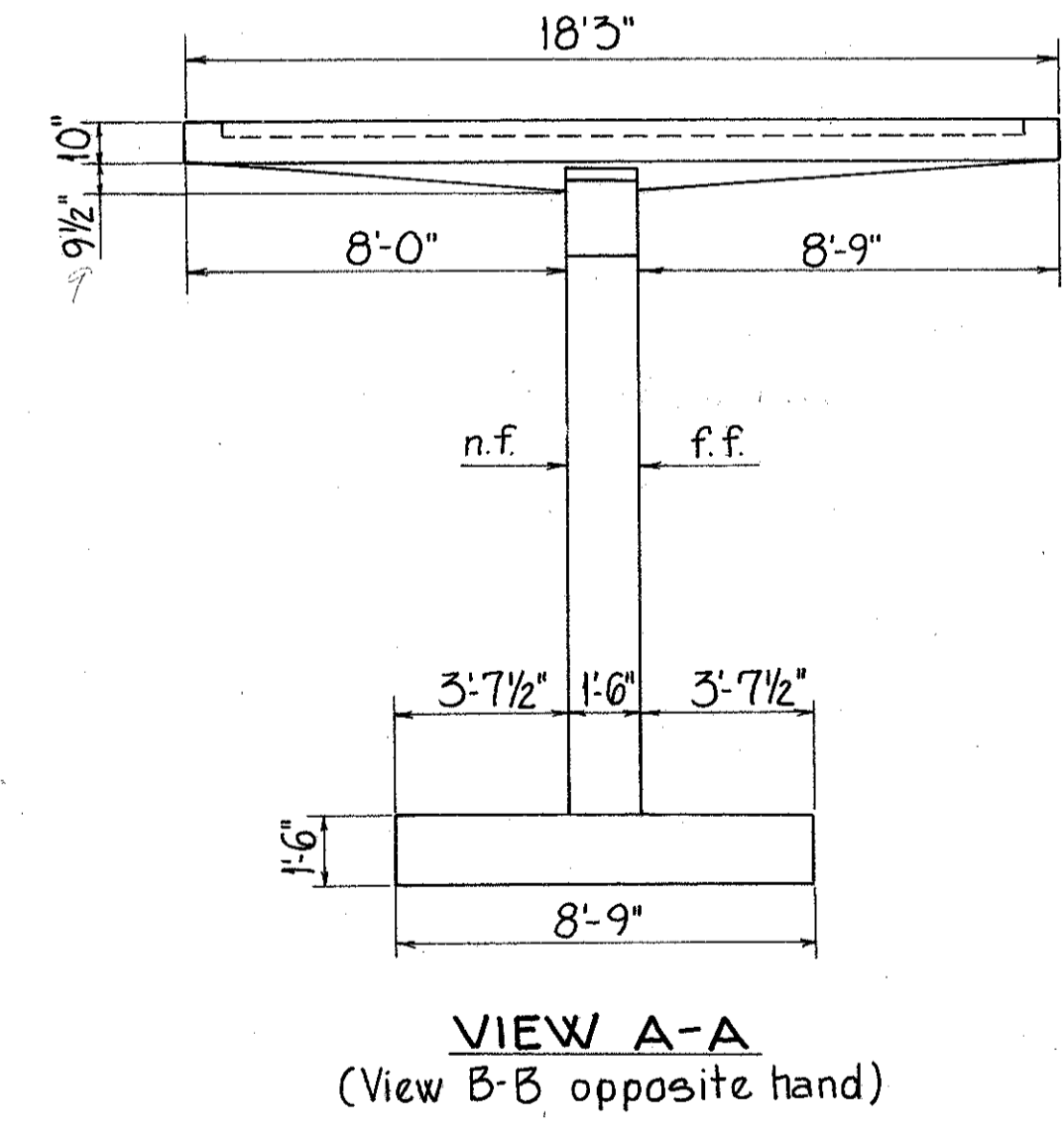
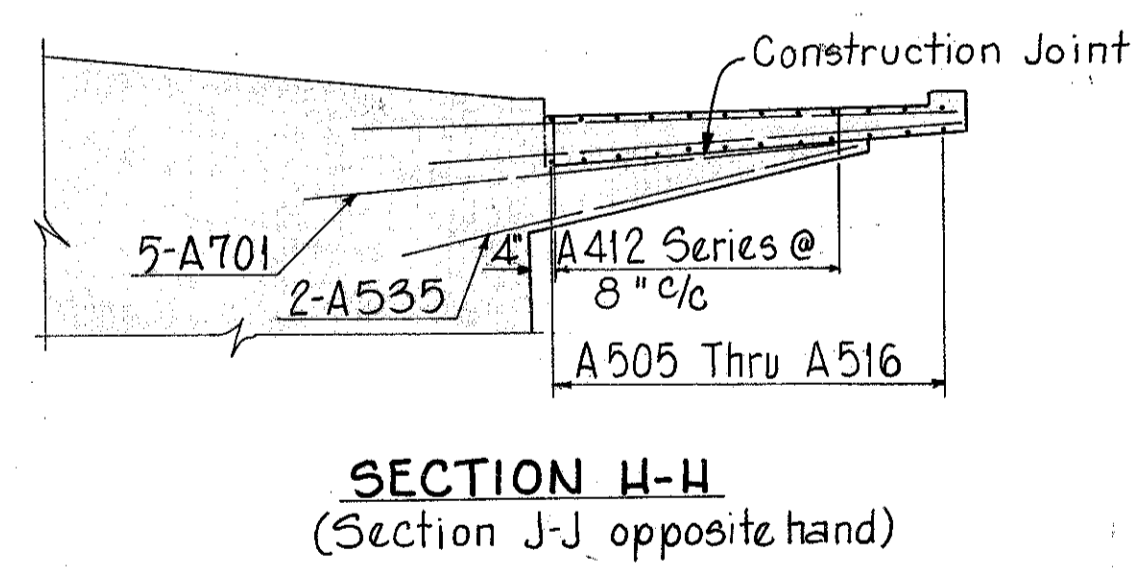
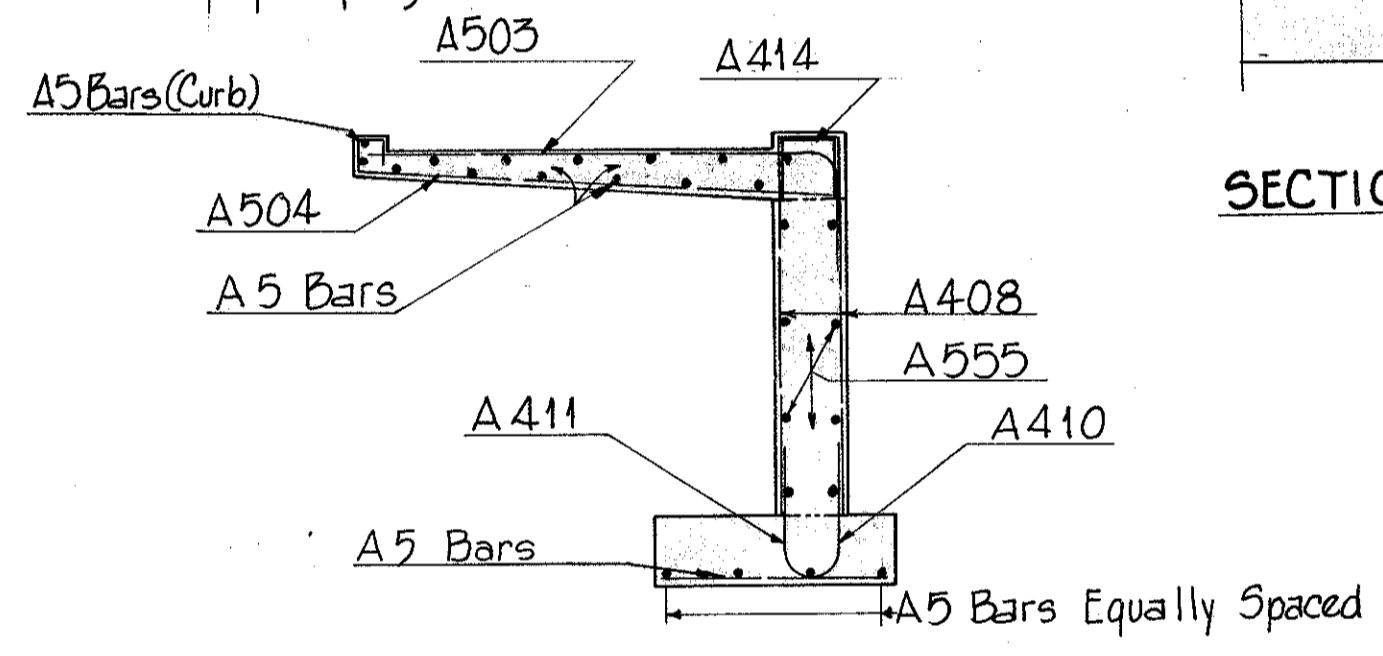
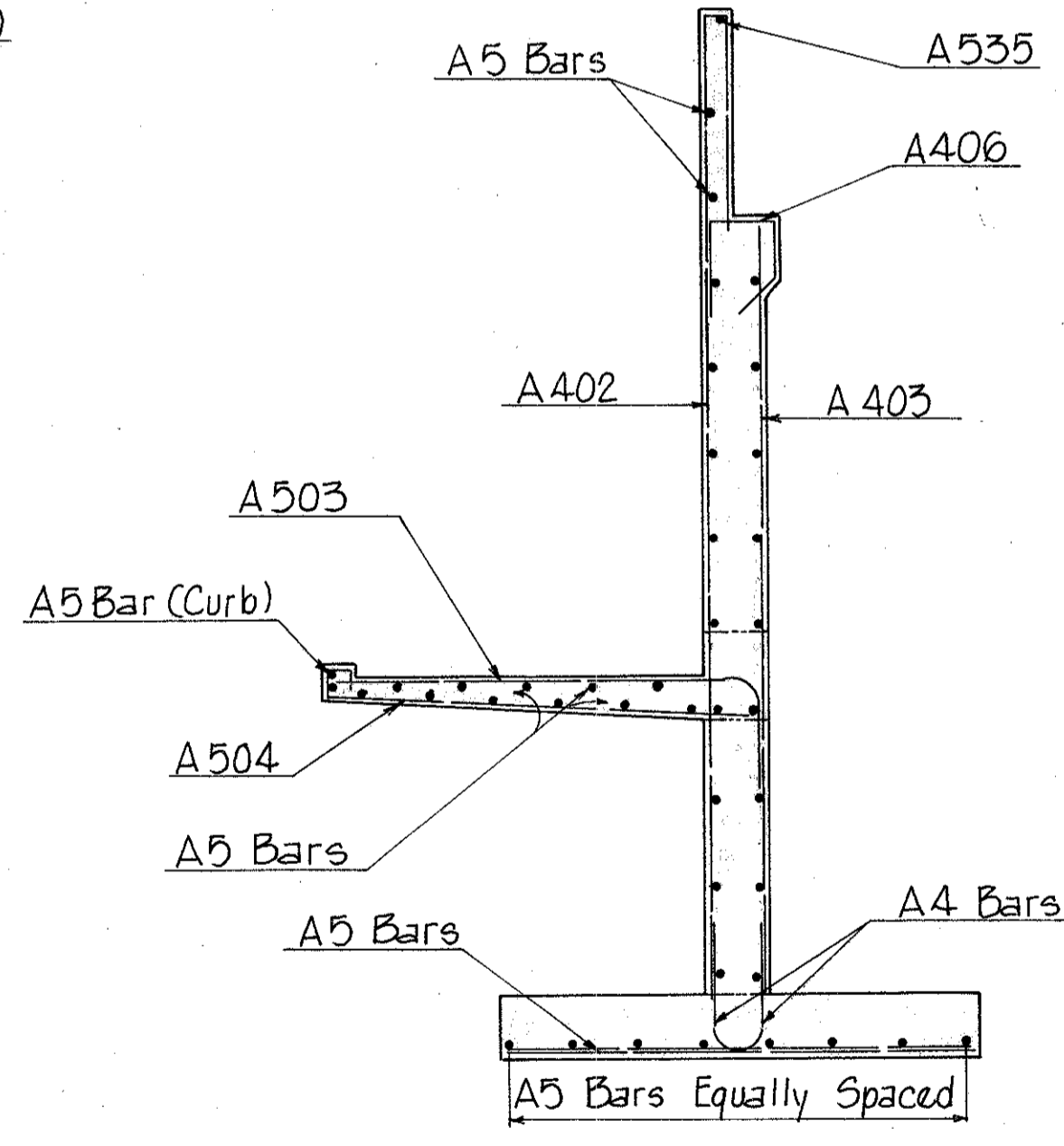
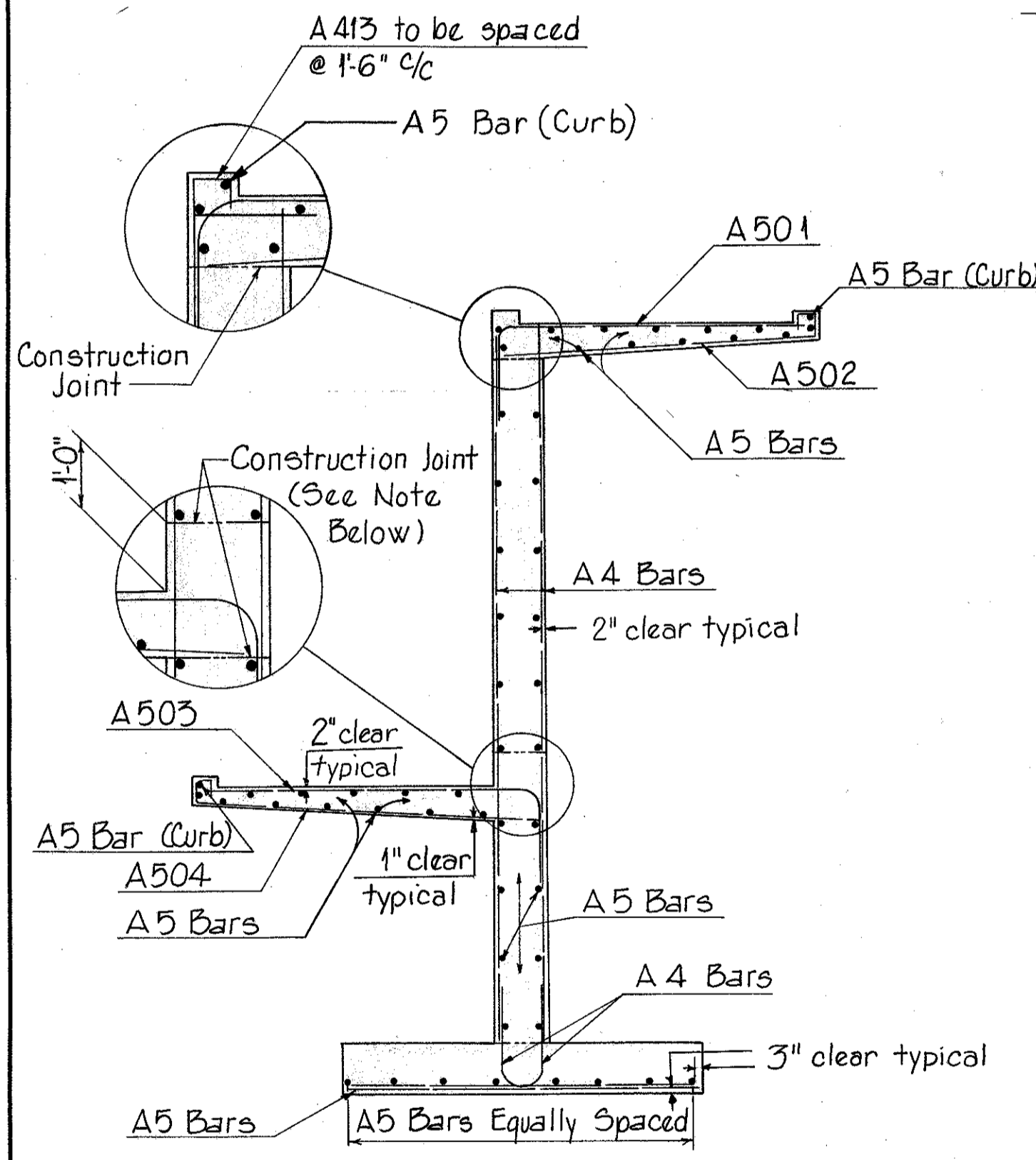
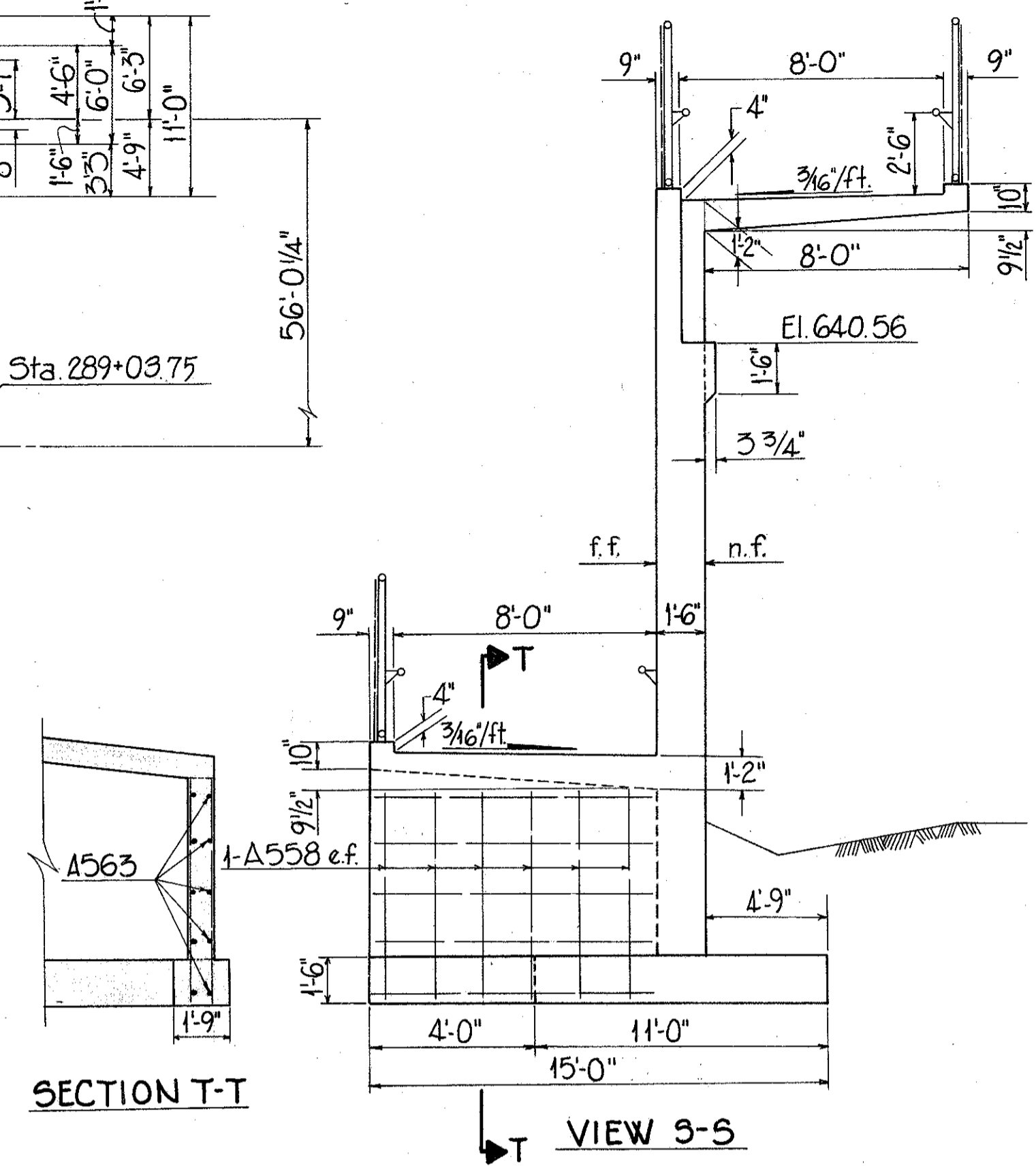
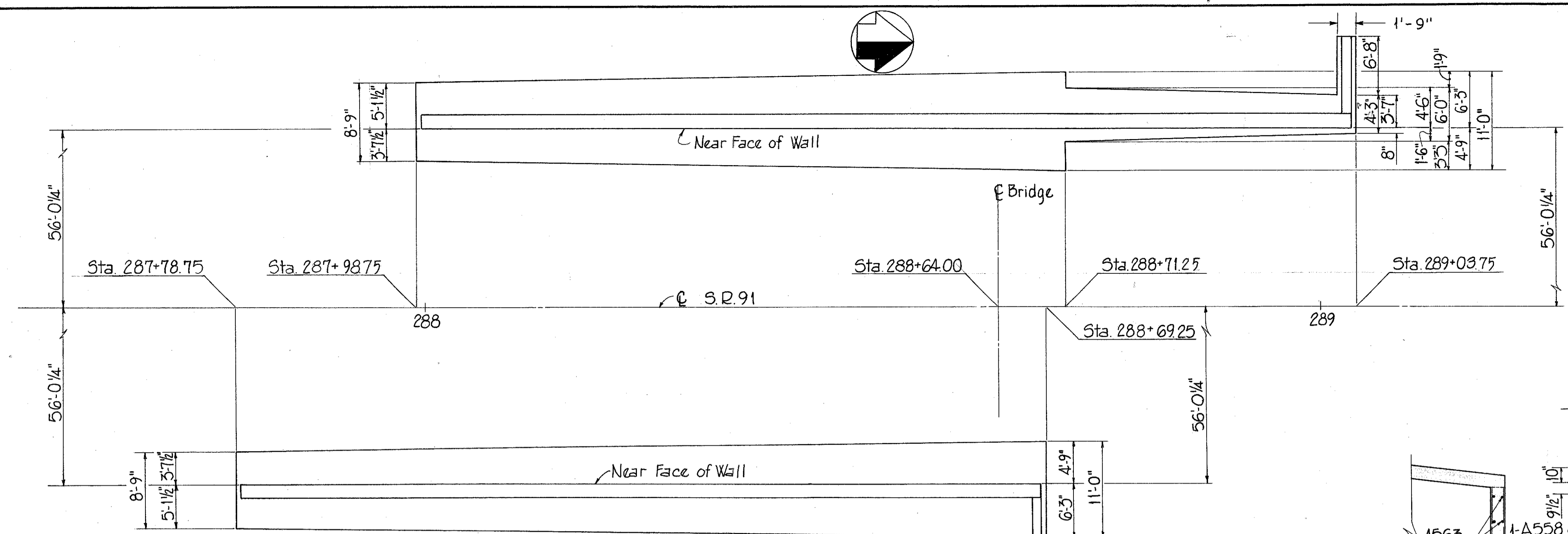


LAKE COUNTY  
LAK-91-547

For Details of Bearing Pad, See Sheet 7/9



Note: In lieu of the construction joint below the ramp, the shaft concrete may be placed as per 511.09.

**LEGEND**  
e.f. ----- each face  
n.f. ----- near face  
f.f. ----- far face

BURGESS & NIPLE LIMITED — CONSULTING ENGINEERS					
COLUMBUS, OHIO					3/9
<b>SUBSTRUCTURE LAYOUT PLAN AND RAMP SECTIONS</b>					
BR. NO. LAK-91-0547					
OVER					
S.R. 91					
LAKE COUNTY Sta. 288+64.00					
DESIGNED	DRAWN	TRACED	CHECKED	REVIEWED DATE	REVISION
M.I.G.	M.I.G.	KDC	T.E.U.	3-1-73	3-15-73