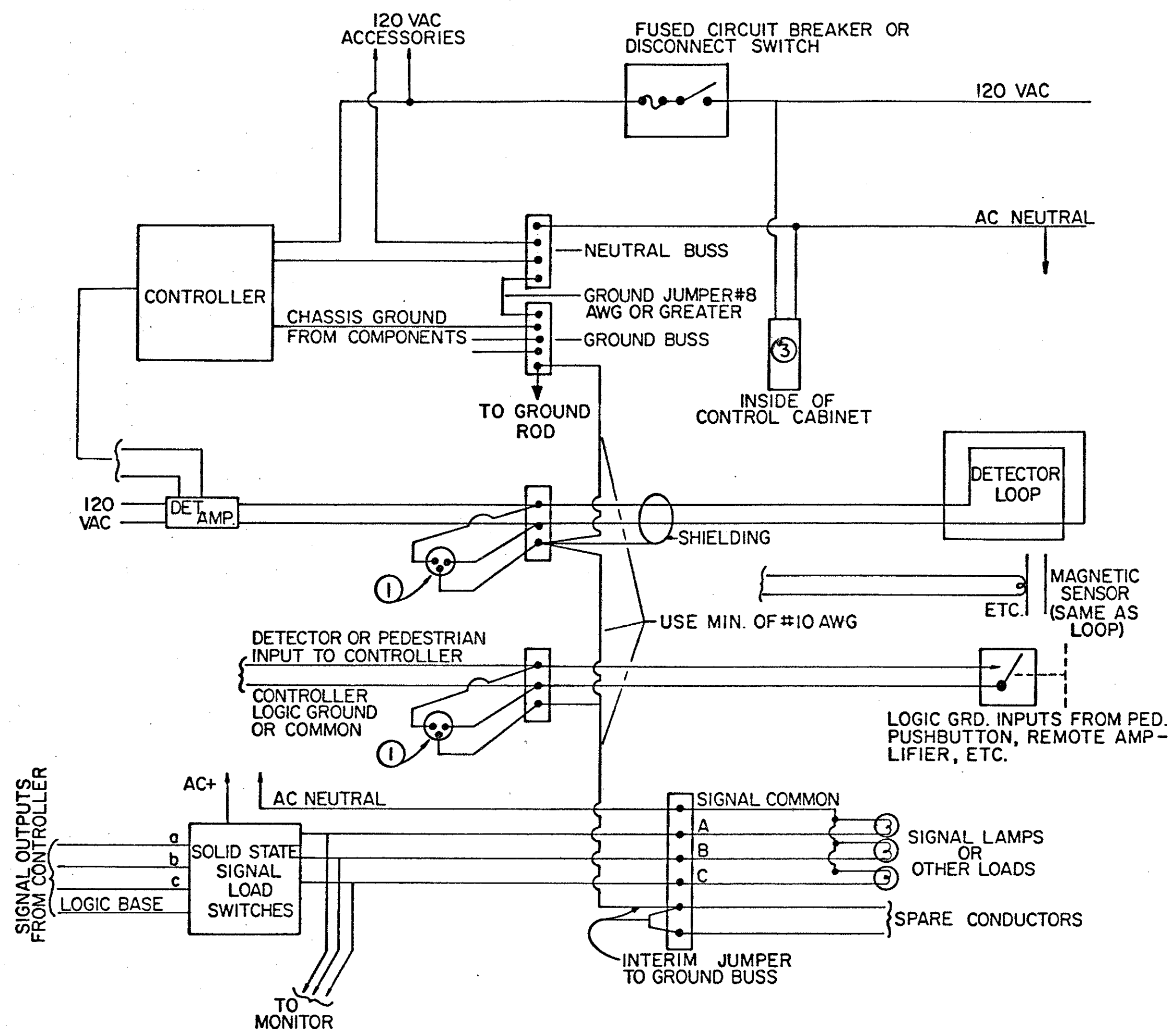
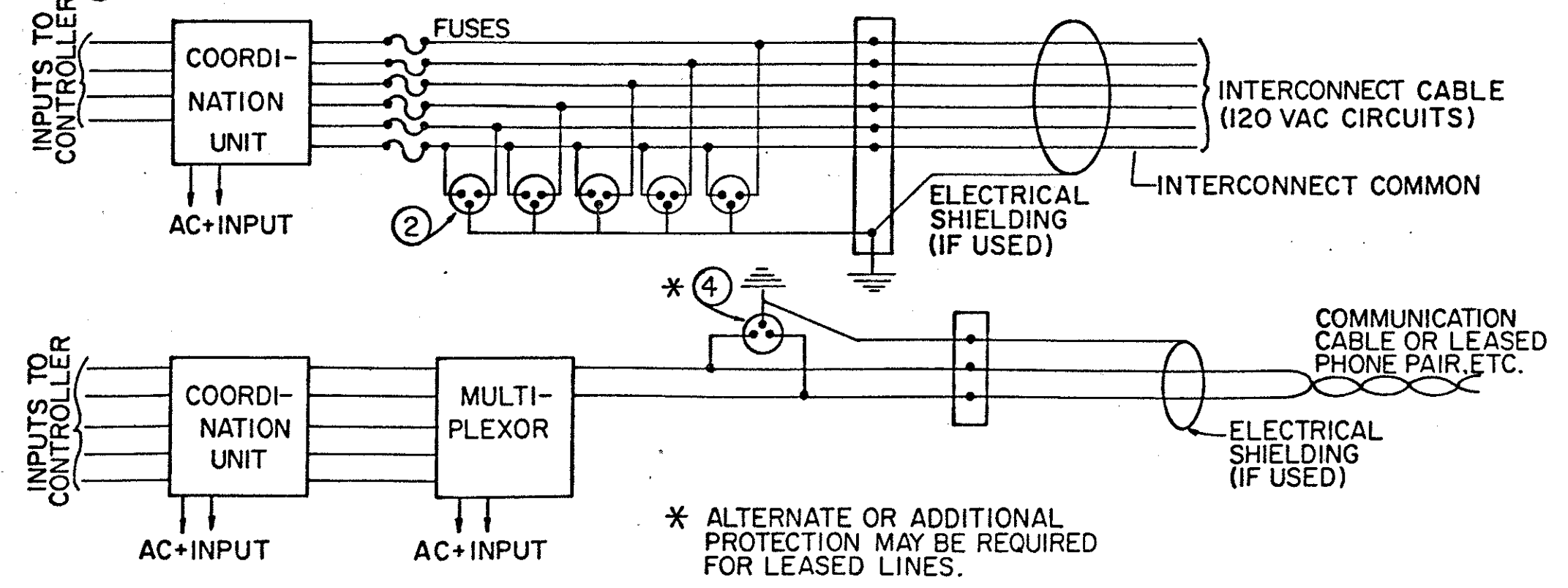


LAK-91-456



- ① 3 ELECTRODE GAS TUBE-TII 317A OR SURRESTOR SRA-16 OR EQUIVALENT (FOR LOOP AMP NOT EXCEEDING 20V ON LOOP CIRCUIT)
  - ② 3 ELECTRODE GAS TUBE-TII 317B OR SURRESTOR SPA-60A OR EQUIVALENT
  - ③ POWER LINE ARRESTOR (3 ELECTRODE) TII 412A-(20) OR SURRESTOR SPA 300
  - ④ 3 ELECTRODE GAS TUBE-TII 317A OR SURRESTOR SRA-16, 63, 64 OR EQUIVALENT
- NOTE: ALL UNUSED CONDUCTORS MUST BE GROUNDED AT BOTH ENDS AND ALL ARRESTORS SHOULD BE MOUNTED AS CLOSE AS POSSIBLE TO THE FIRST TERMINATION OF INCOMING PROTECTED LINE.



\* ALTERNATE OR ADDITIONAL PROTECTION MAY BE REQUIRED FOR LEASED LINES.

LIGHTNING PROTECTION SYSTEM