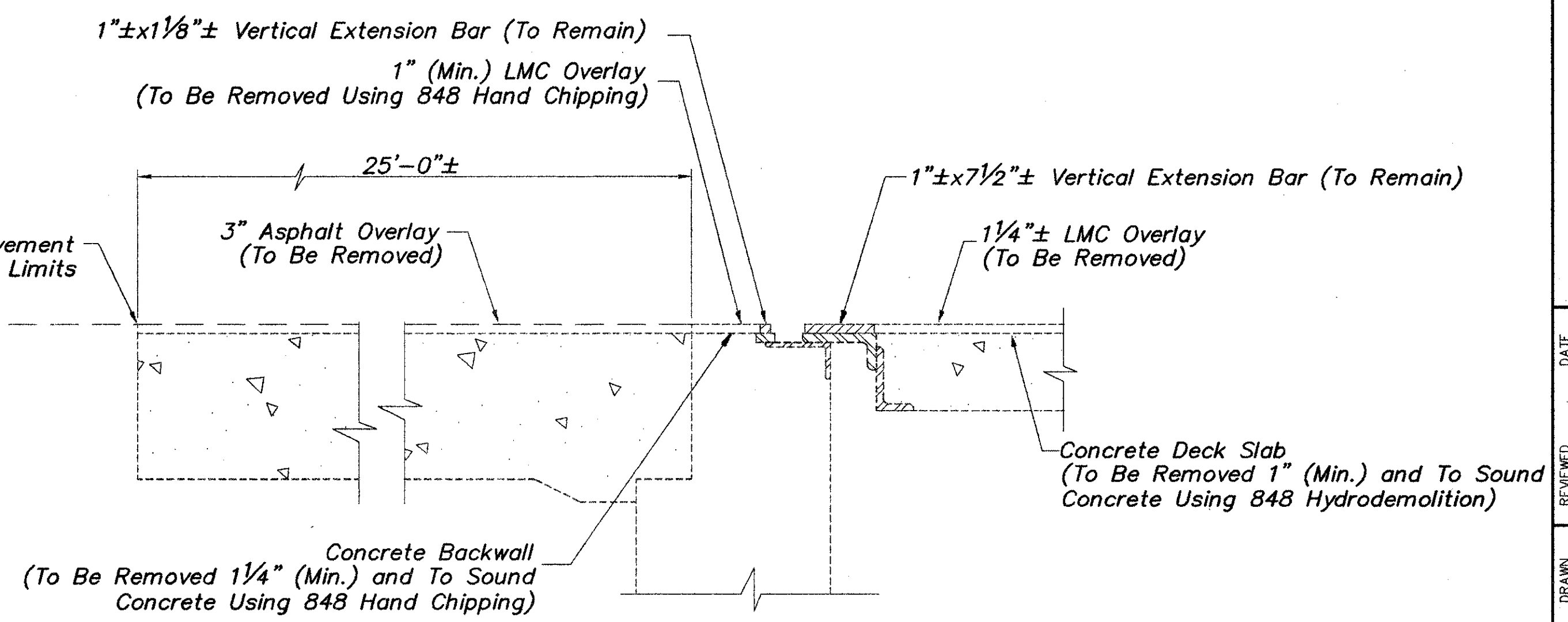


Item Special 519-Patching Concrete Structure, Misc.: Curb Repair (See Notes 1 and 2.)

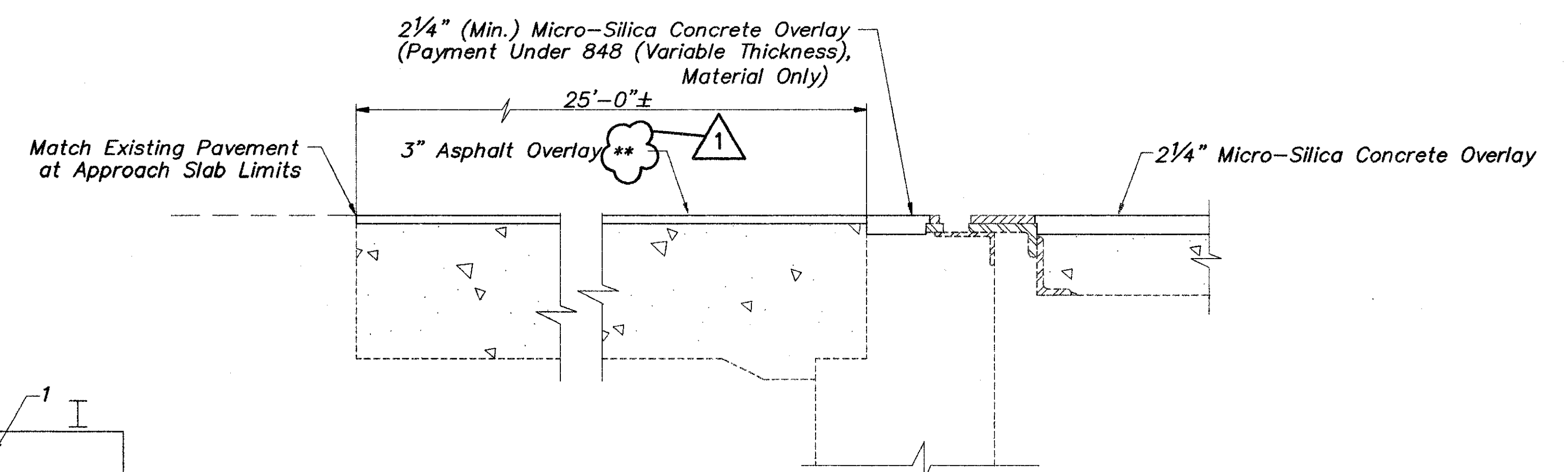
LOCATION	Unit	Measured Quantity	Estimated Quantity
East Safety Curb	Lin.Ft.	58	87
West Safety Curb	Lin.Ft.	104	156
TOTAL	Lin.Ft.		243

* - For Concrete Patching, Existing Unsound Concrete Shall be Removed to a Depth of 1" Below the Reinforcing Bars or to Sound Concrete, Whichever is Greater. Removal Areas Shall be Saw Cut 1" Deep Around Their Perimeter.

TYPICAL SAFETY CURB REPAIR DETAIL
(Shown Prior to Bridge Railing Retrofit Installation)



REMOVAL DETAIL AT END DAMS

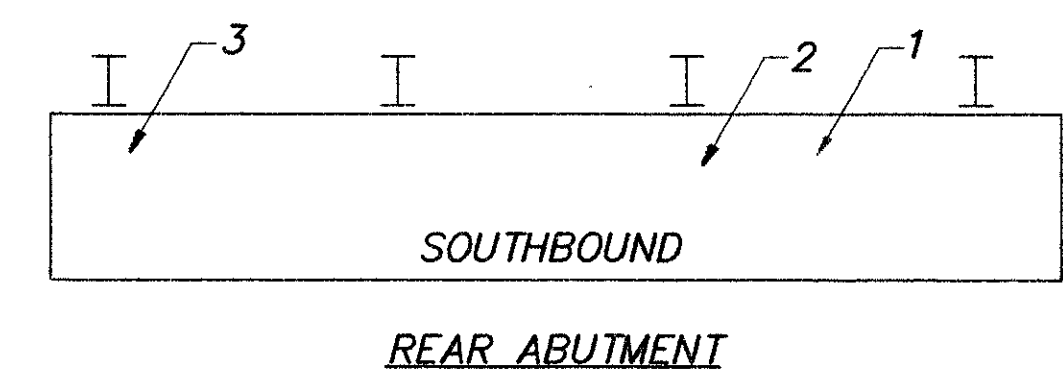
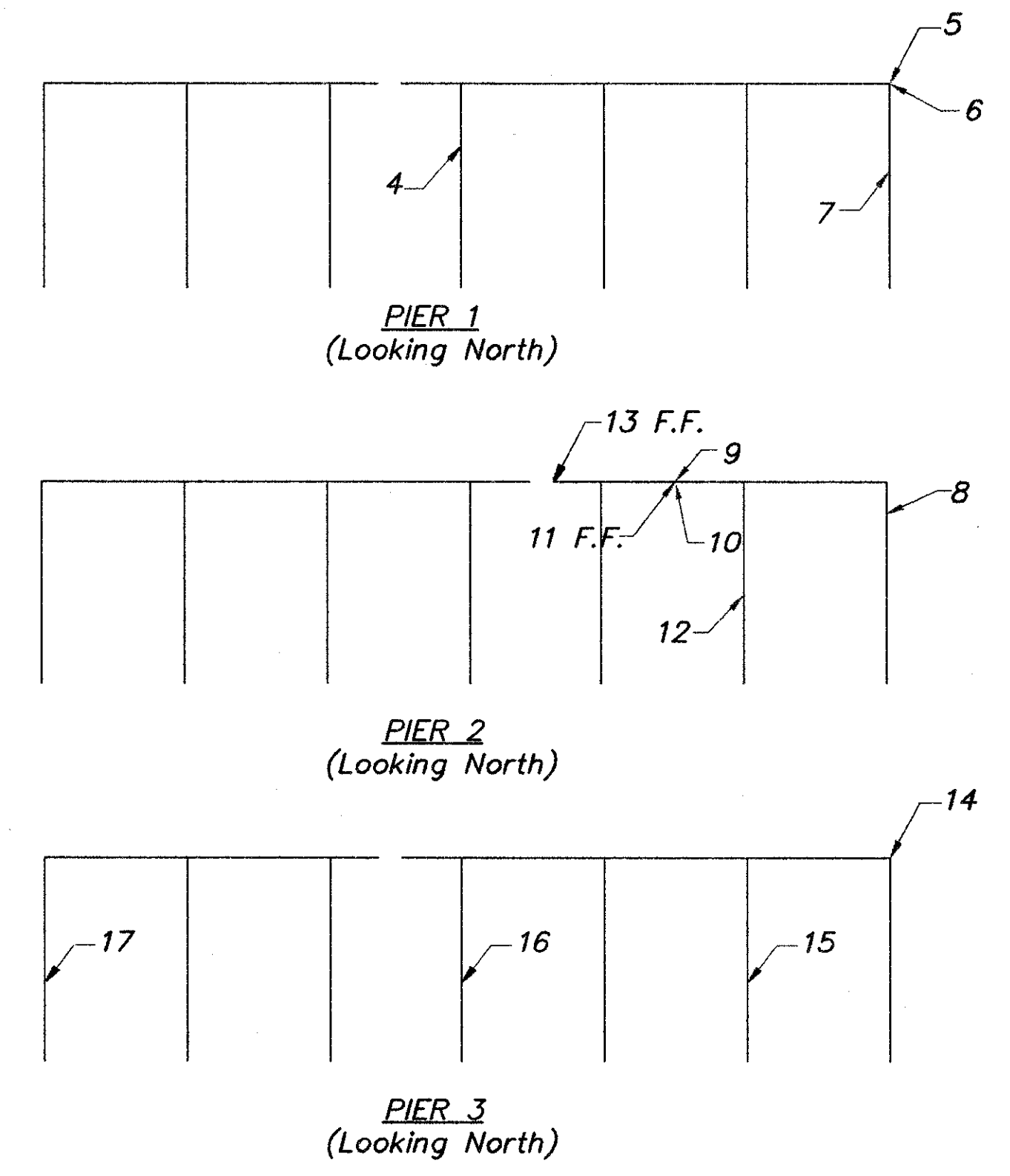


REPAIR DETAIL AT END DAMS

** 3" Asphalt Overlay Shall Consist of 1 3/4" Intermediate Course and 1 1/4" Surface Course.

NO.	REVISIONS	BY	DATE
1	ASPHALT OVERLAY COURSES	JPR	8/3/00

- NOTES:
- Patching Safety Curbs Shall be Done in Accordance With ODOT CMS Item 519, the Safety Curb Repair Detail on This Sheet and the General Note on Sheet 2/7.
 - Physical Inventory of Measured Quantities of Deterioration Was Performed In January, 2000. Estimated Quantities Have Been Increased By 50% Over Measured Quantities to Allow For Additional Deterioration. Exact Dimensions and Locations of Patches Shall Be Determined By the Engineer In The Field For Final Pay Quantities.
 - Unsound Concrete Areas on the Substructures Have Been Outlined With Yellow Marking Paint.
 - For Bridge General Plan and Profile, See Sheet 1/7.
 - For Transverse Section, See Sheet 6/7.
 - NOTATION: Typ.-Typical; F.F.-Far Face; LMC-Latex Modified Concrete.



Item 519-Patching Concrete Structure, As Per Plan (See Notes 2 and 3)

Substructure Unit	Element	Location Designation	Unit	Measured Quantity	Estimated Quantity
Rear Abutment	Breastwall	1	Sq.Ft.	8	
	Breastwall	2	Sq.Ft.	2	
	Breastwall	3	Sq.Ft.	1	
Pier 1	Column	4	Sq.Ft.	6	
	Pier Seat	5	Sq.Ft.	11	
	Cap	6	Sq.Ft.	1	
	Column	7	Sq.Ft.	18	
Pier 2	Cap & Column	8	Sq.Ft.	5	
	Pier Seat	9	Sq.Ft.	12	
	Cap	10	Sq.Ft.	2	
	Cap	11	Sq.Ft.	2	
	Column	12	Sq.Ft.	4	
Pier 3	Cap	14	Sq.Ft.	3	
	Column	15	Sq.Ft.	36	
	Column	16	Sq.Ft.	7	
	Column	17	Sq.Ft.	8	
TOTAL			Sq.Ft.	134	200

SCHEMATIC SUBSTRUCTURE PATCHING AND SEALING LOCATIONS