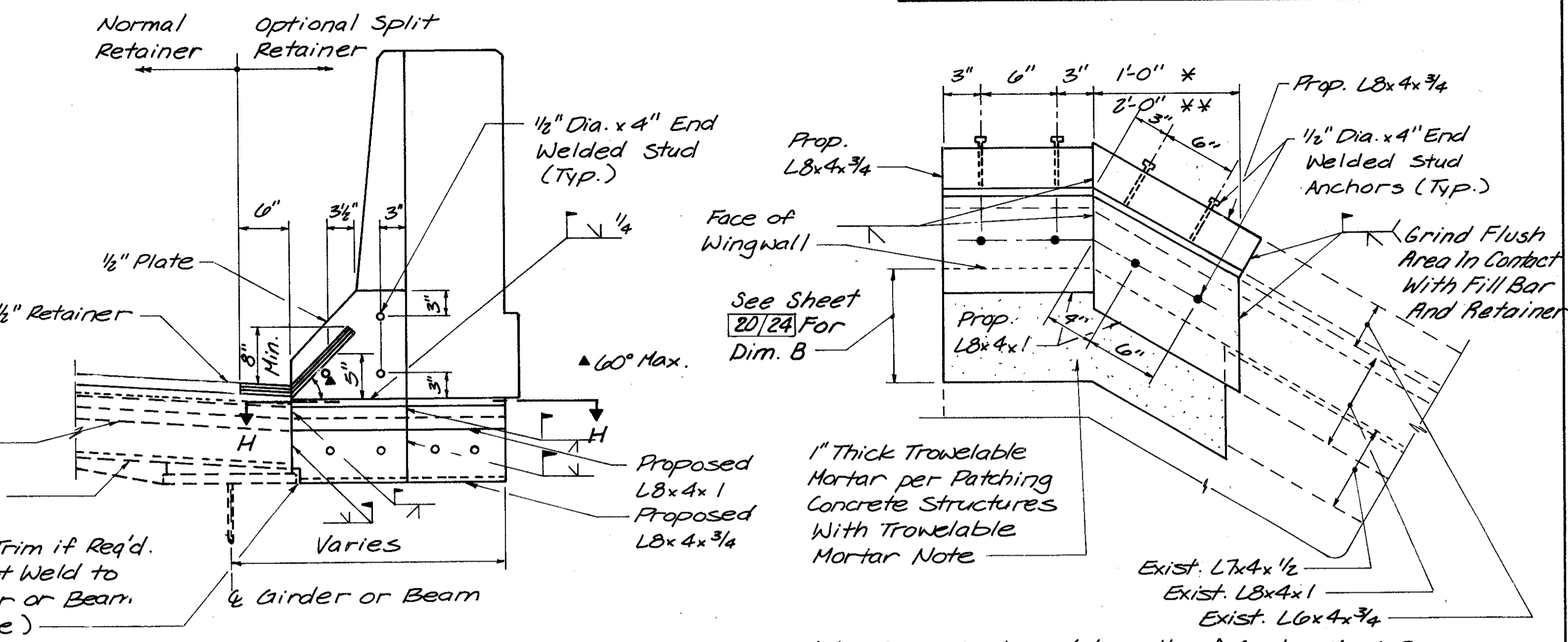
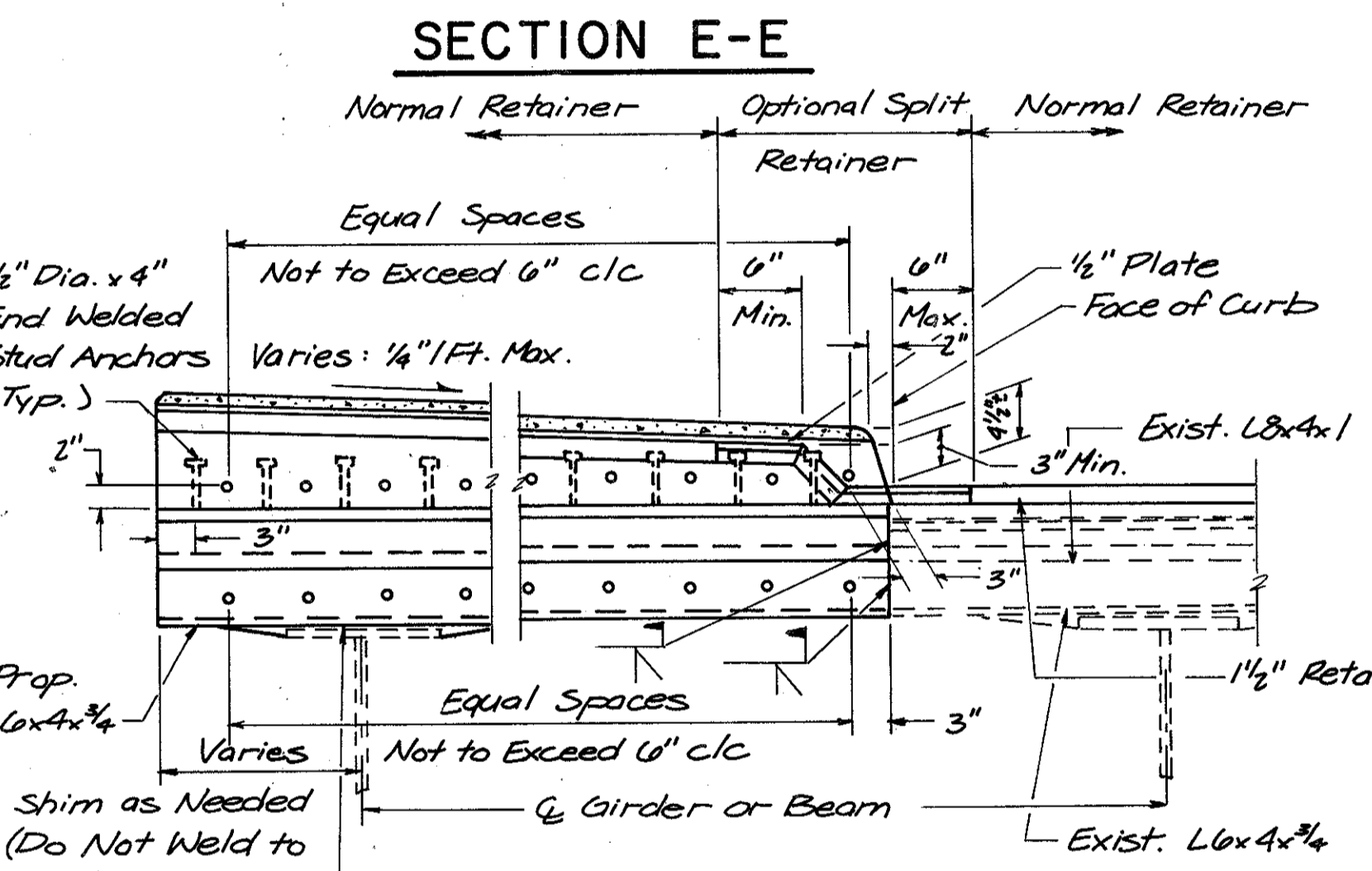


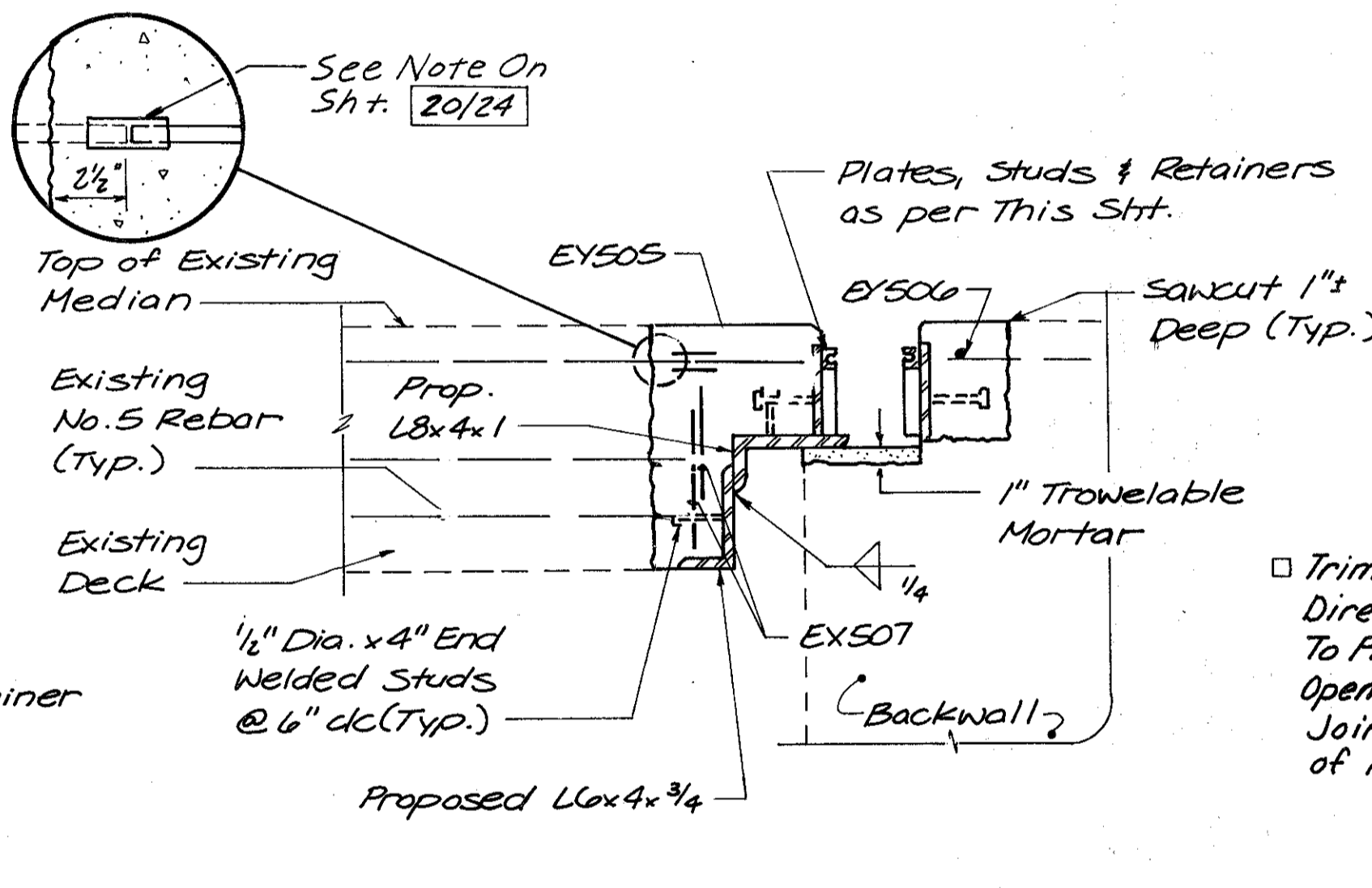
SECTION F-F
(BRIDGE No. LAK-91-0423 ONLY)
For Details Not Shown, See Section I-I This Sht.



Note: Skew Angle and Length of Angle Must Be Field Verified Prior to Fabrication

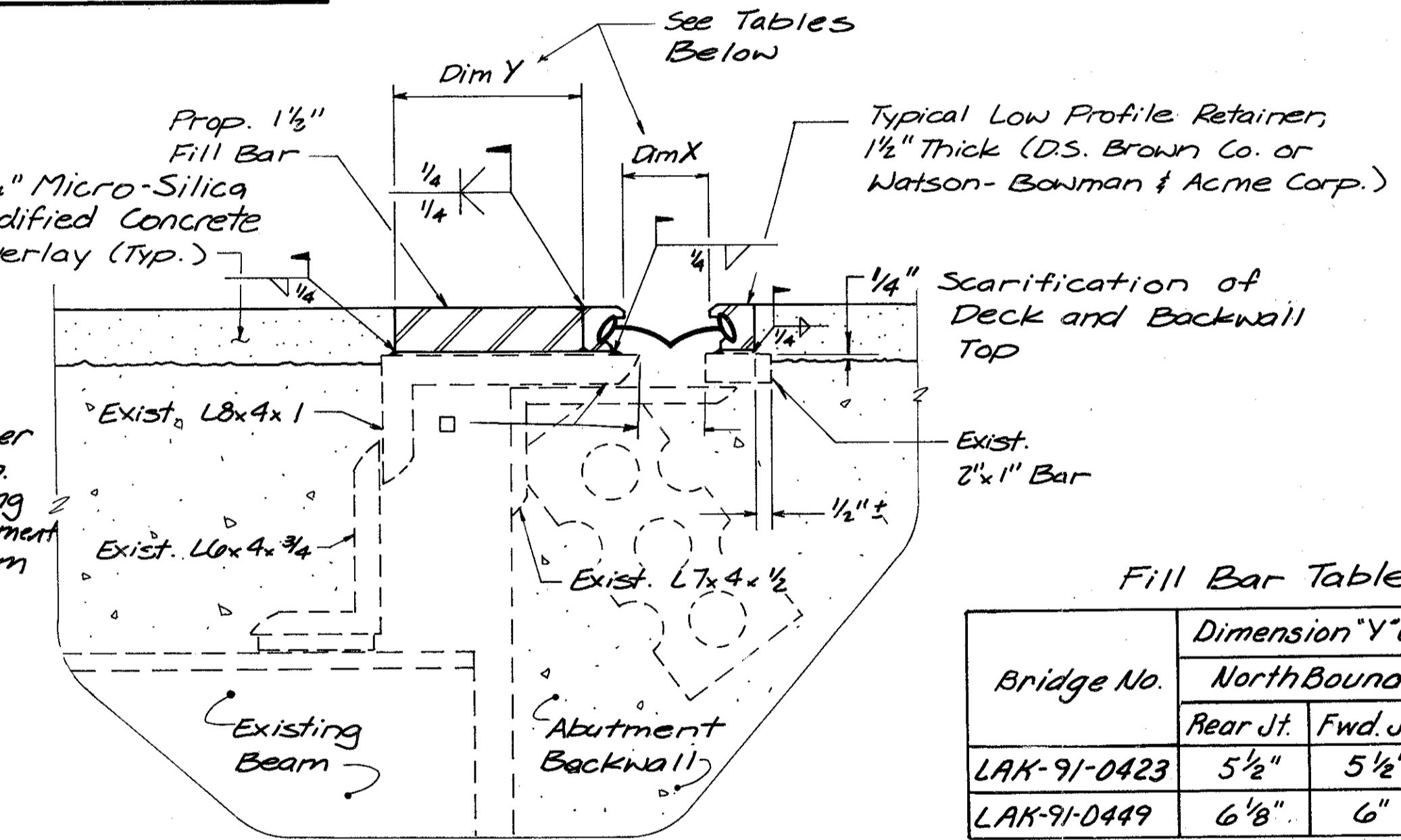


SECTION K-K



SECTION J-J

SECTION G-G

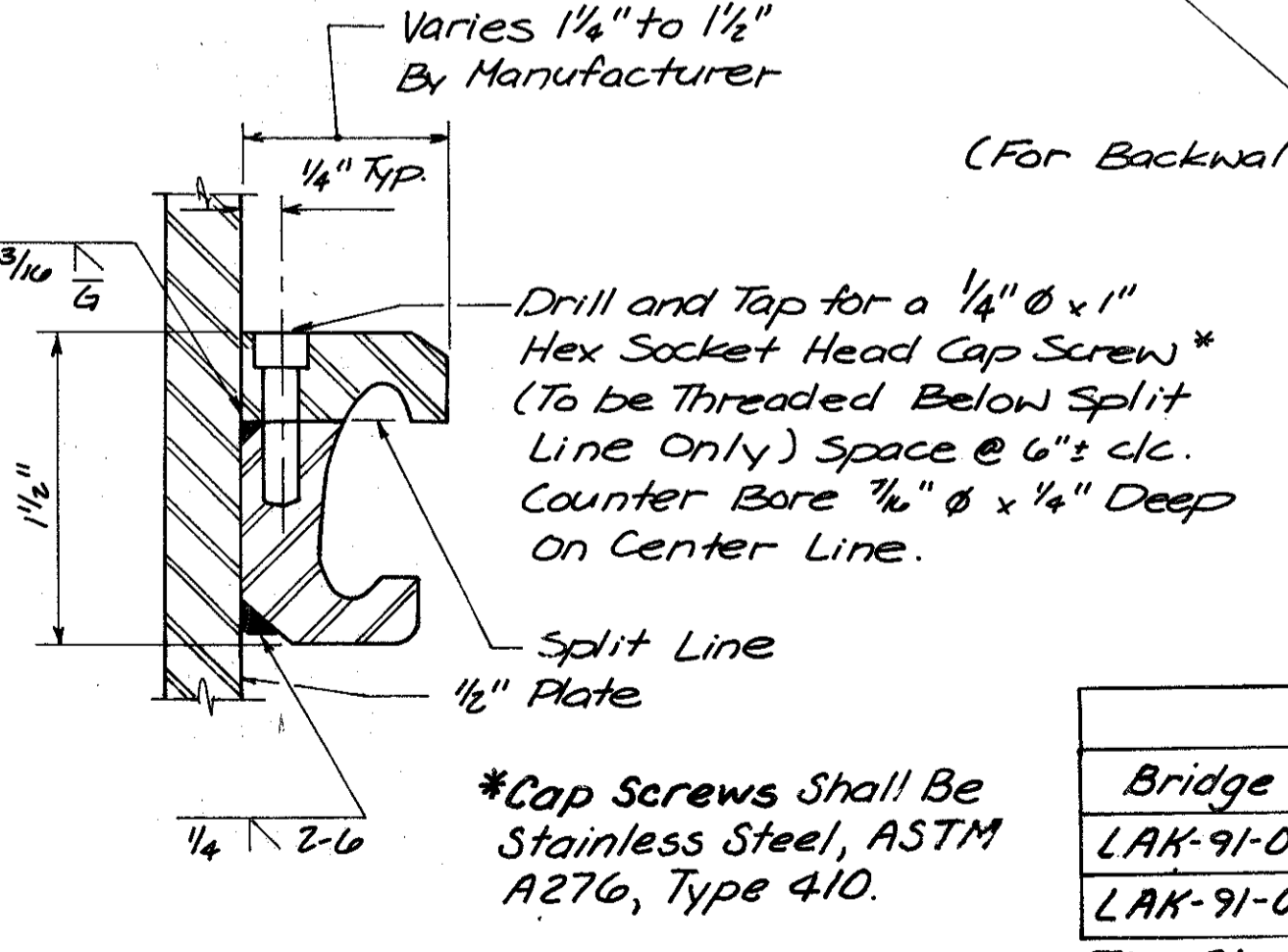
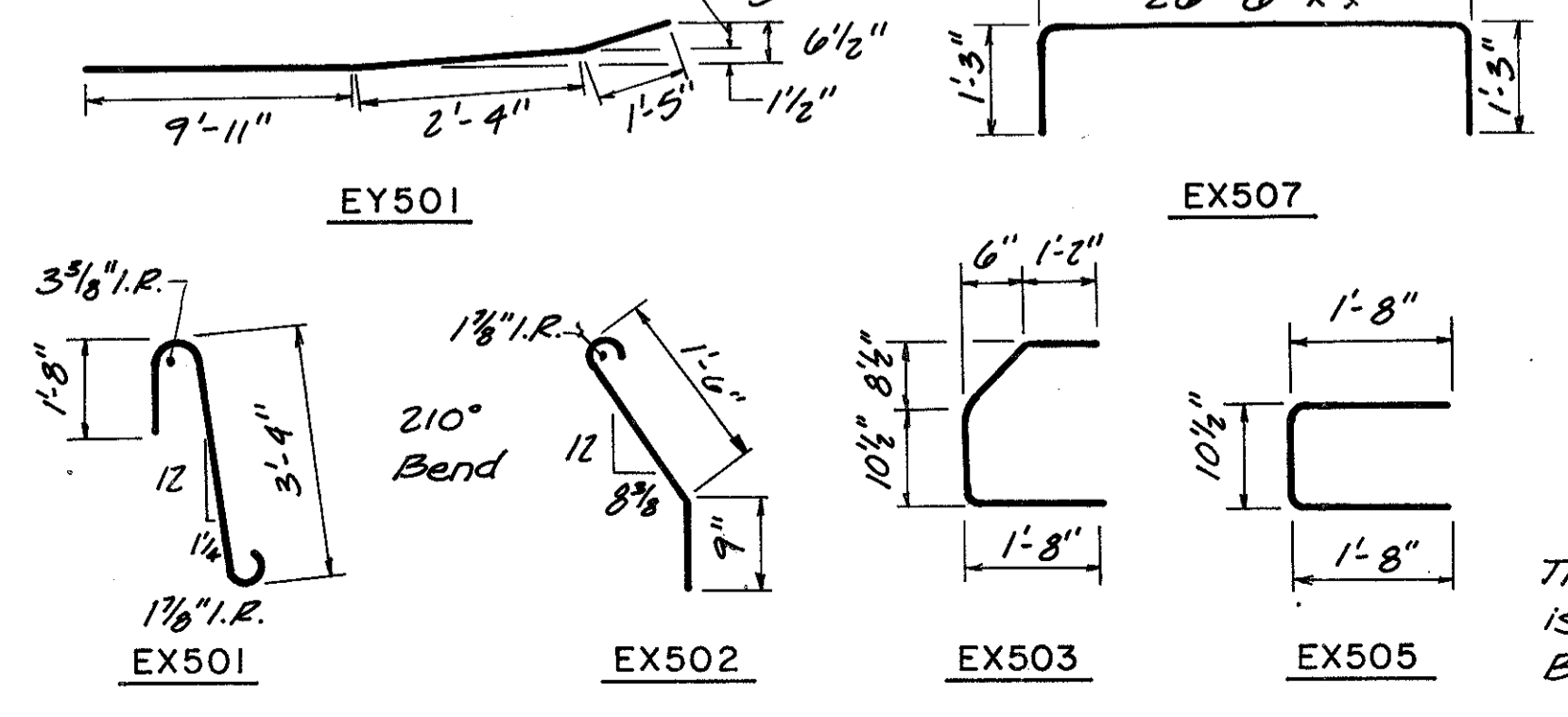


SECTION I-I

Bar List		
Mark	Length	Shape
EX501	5'-10 1/2"	Bent
EX502	2'-8"	Bent
EX503	4'-4"	Bent
EX504	4'-0" to 4'-10"	Str.
EX505	4'-0"	Bent
EX506	4'-0"	Str.
EX507	23'-3 1/4" x 28'-9" x x	Bent
EY501	13'-8"	Bent
EY502	13'-8"	Str.
EY503	2'-6" x 9'-3" x x	Str.
EY504	0'-9"	Str.
EY505	0'-9"	Str.
EY506	21'-0" x 126'-6" x x	Str.
EY5...		Str.

REINFORCING STEEL

1/2" Increment ■ EY5... Bars Shown Denote Continuous Longitudinal Bars Within the Proposed Retaced Parapets Inside the Bridge Limits



SPLIT RETAINER DETAIL
NORMAL RETAINER SIMILAR

The Split Retainer Shown Above is a Normal Retainer Which Has Been Modified as Indicated.

Joint Opening Table

Bridge No.	Dimension "X"						
	30°	40°	50°	60°	70°	80°	90°
LAK-91-0423	2 3/8"	2 1/4"	2 1/8"	2"	1 7/8"	1 3/4"	1 5/8"
LAK-91-0449	2 3/16"	2 1/8"	2 1/16"	2"	1 5/16"	1 7/8"	1 3/16"

The Above Settings Are The Minimum Joint Opening Distances (Dim. "X") At The Time Of Installation Of Req'd 3" Strip Seal Glands.

For Additional Information, Refer To Standard Drawing EXJ-4-87, Sheet 5 Of 5.

Fill Bar Table

Bridge No.	Dimension "Y" @ Location On Bridge			
	North Bound		South Bound	
	Rear Jt.	Fwd Jt.	Rear Jt.	Fwd Jt.
LAK-91-0423	5 1/2"	5 1/2"	6 1/2"	6 1/8"
LAK-91-0449	6 1/8"	6"	5 1/2"	6"

Fill Bar Shall Be Beveled 1/4" x 45° At Top & Bottom @ Extrusion Interface.

* LAK-91-0449 Bridge
** LAK-91-0423 Bridge
Burgess & Niple, Limited
Engineers and Architects

SEALING OF STRUCTURAL STEEL EXPANSION JOINTS

BRIDGE NO. LAK-91-0423
BRIDGE NO. LAK-91-0449

DESIGNED	DRAWN	TRACED	CHECKED	REVIEWED DATE	REVISED
RJ	KK	-	WAC	2/28/14	