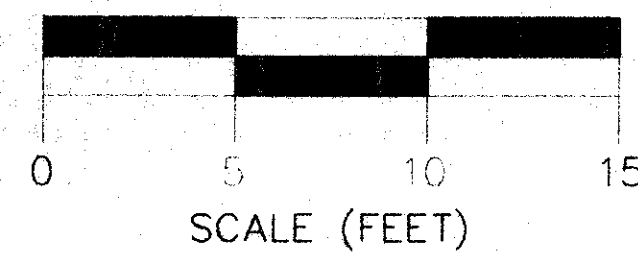


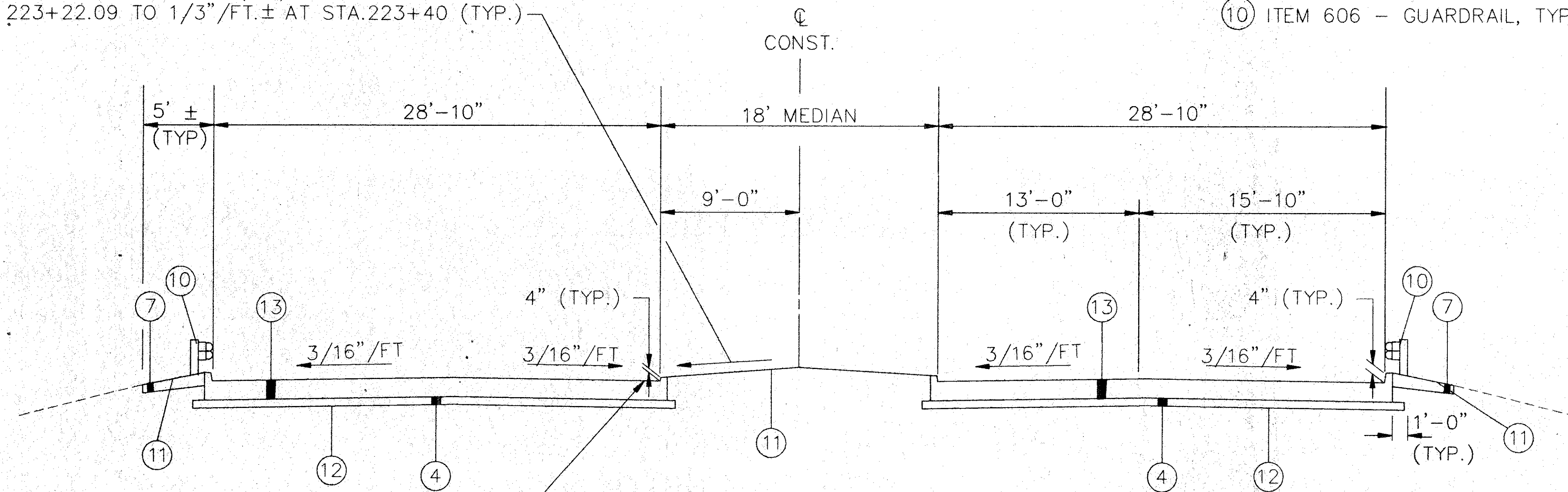
TYPICAL SECTIONS APPROACH SLAB



LEGEND

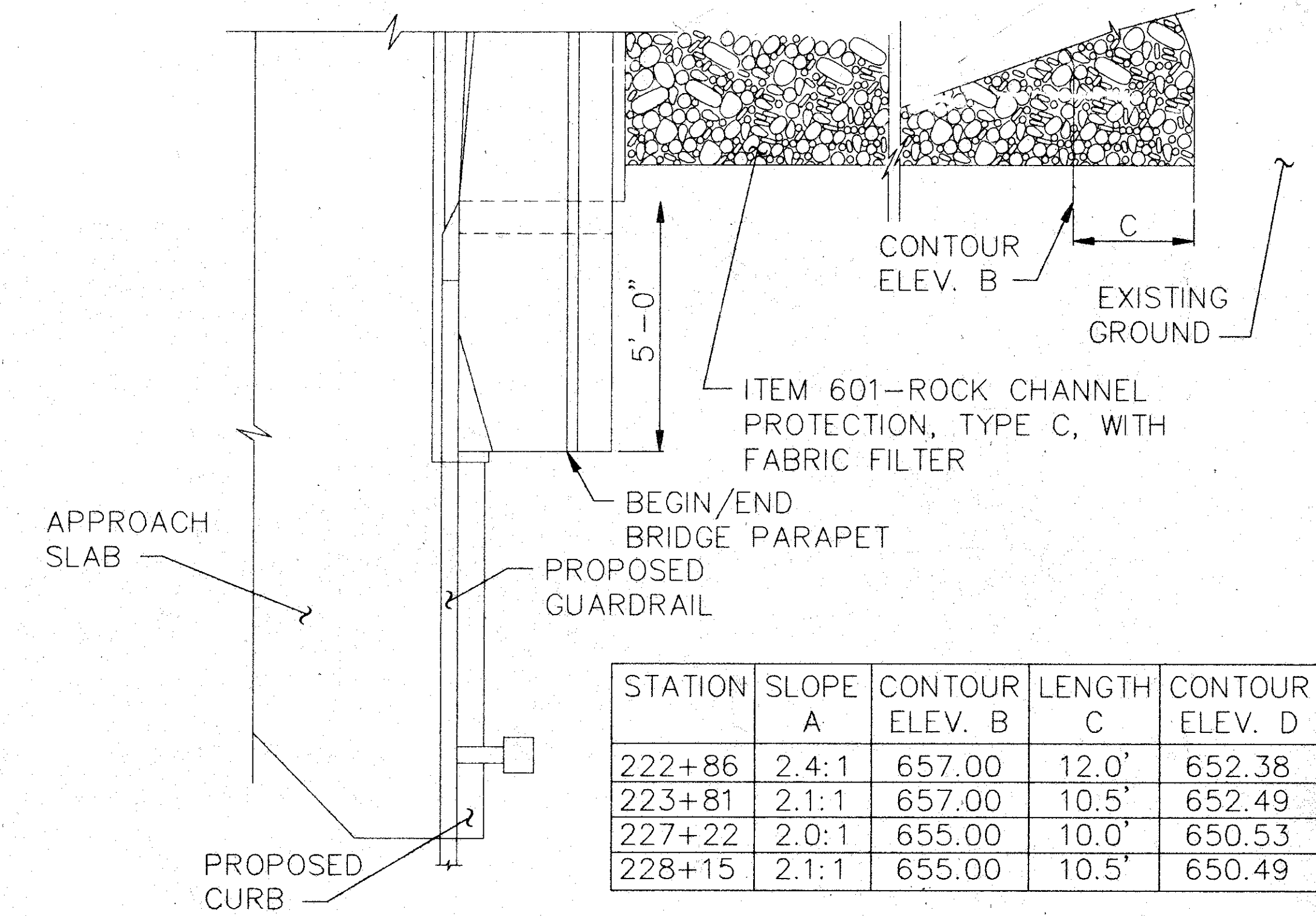
- ④ ITEM 310 - 6" SUBBASE, TYPE 1, GRADING A, AS PER PLAN
- ⑦ ITEM 203 - EMBANKMENT
- ⑩ ITEM 606 - GUARDRAIL, TYPE 5
- ⑪ ITEM 659 - SEEDING AND MULCHING
- ⑫ ITEM 203 - SUBGRADE COMPACTION
- ⑬ ITEM 611 - REINFORCED CONCRETE APPROACH SLAB (T=15"), AS PER PLAN

SLOPE VARIES FROM 1/2"/FT. ± AT STA. 223+22.09 TO 1/3"/FT. ± AT STA. 223+40 (TYP.)



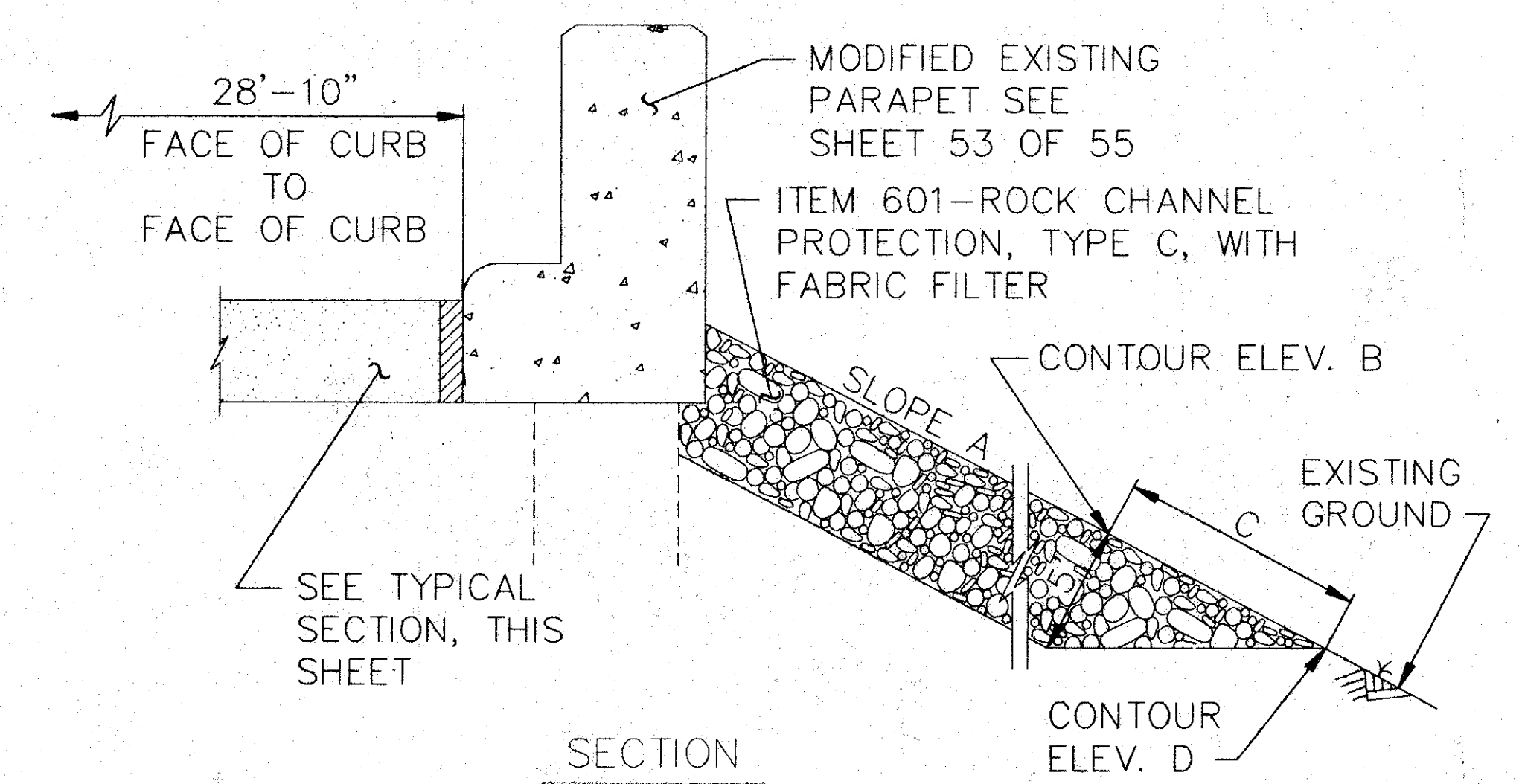
APPROACH SLAB NORMAL SECTION
STA. 223+22.09 TO STA. 223+40

LAK-91-4.23



STATION	SLOPE	CONTOUR ELEV. B	LENGTH C	CONTOUR ELEV. D
222+86	2.4:1	657.00	12.0'	652.38
223+81	2.1:1	657.00	10.5'	652.49
227+22	2.0:1	655.00	10.0'	650.53
228+15	2.1:1	655.00	10.5'	650.49

PLAN

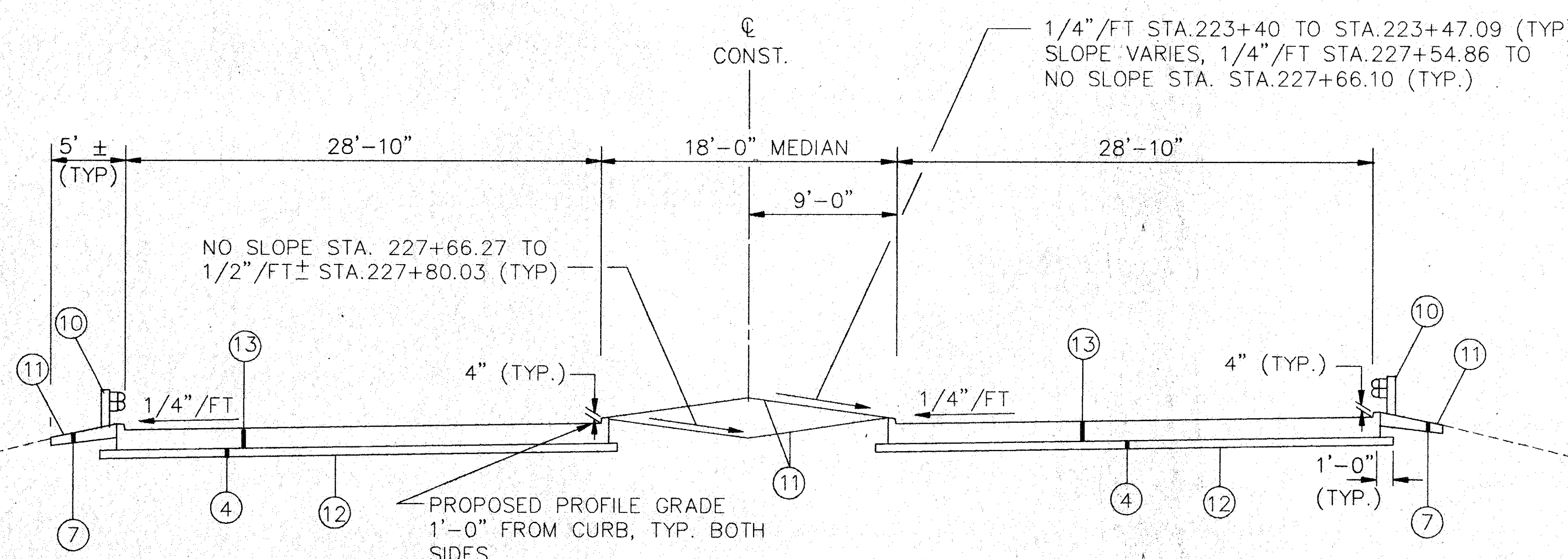


SECTION

ROCK CHANNEL PROTECTION AT PARAPET DETAIL
SCALE: NONE

BEGIN STA. 222+86±, 40'-2"± LT. TO 56± LT.
 BEGIN STA. 223+81±, 40'-2"± RT. TO 53± RT.
 END STA. 227+22±, 40'-2"± LT. TO 50± LT.
 END STA. 228+15±, 40'-2"± RT. TO 52± RT.

NOTE: DETAIL IS REVERSED FOR LOCATIONS LEFT OF CENTERLINE



APPROACH SLAB SUPERELEVATED SECTION
STA. 223+40 TO STA. 223+47.09 (TRANSITION)
STA. 227+54.86 TO STA. 227+79.86

LAK-91-4.23