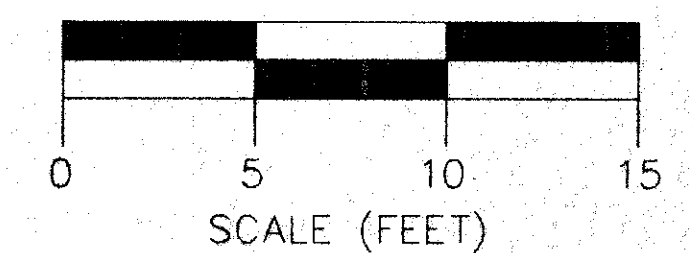
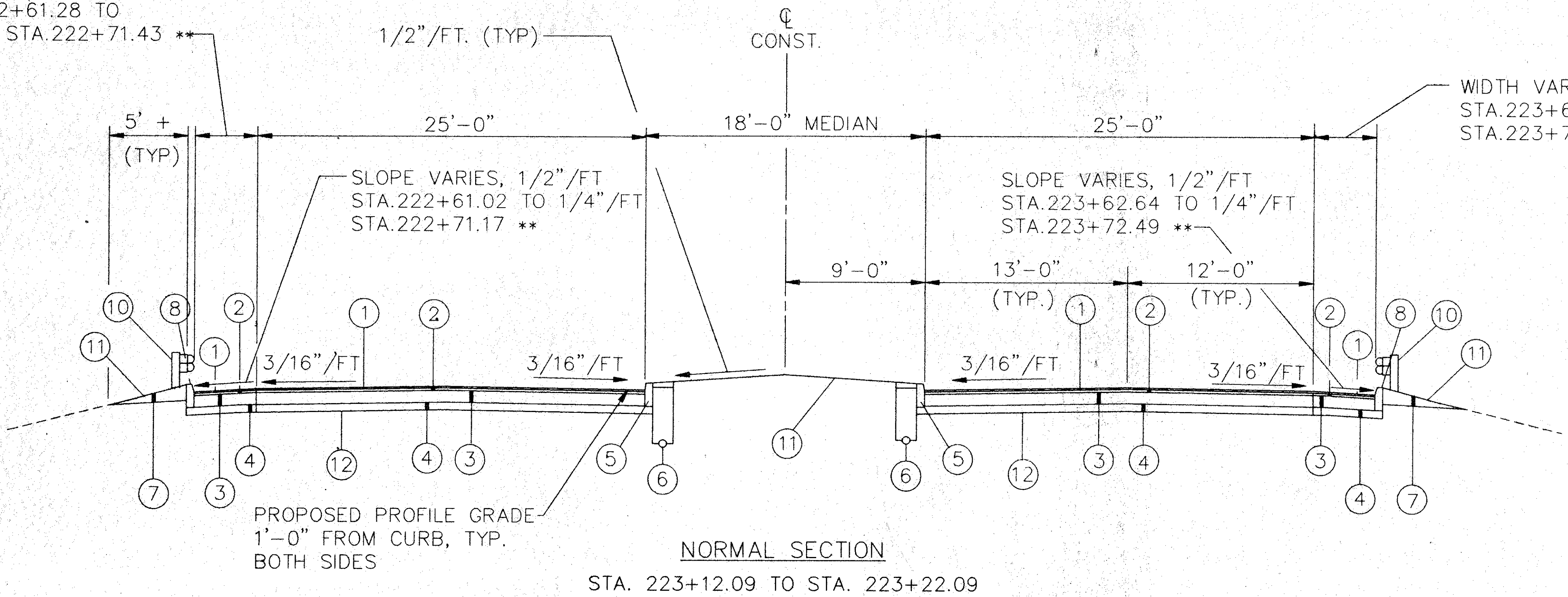


TYPICAL SECTIONS  
TYPE 404



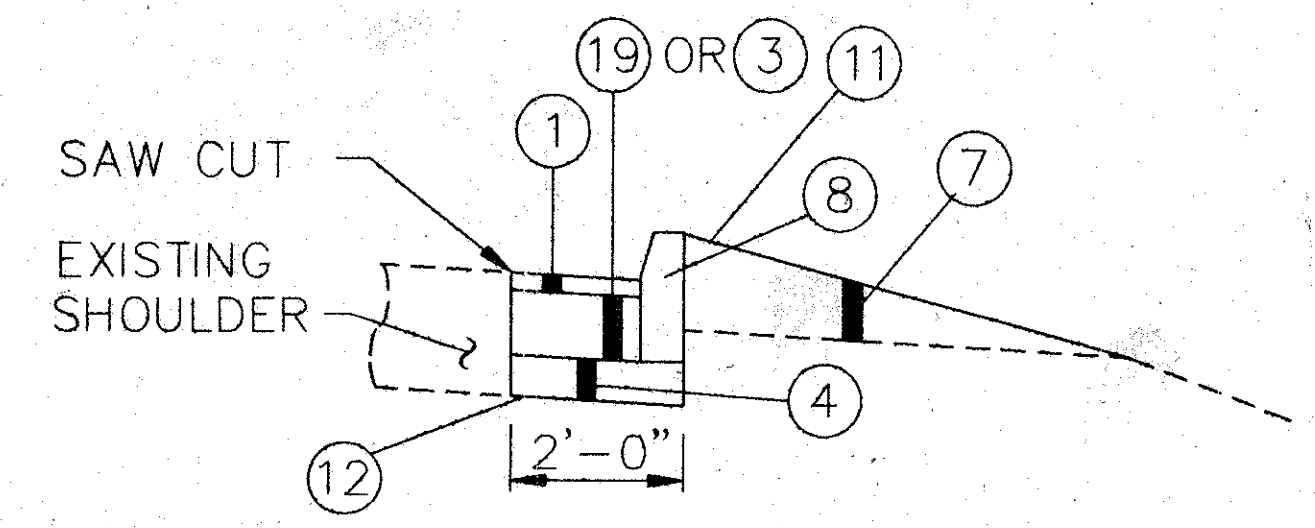
WIDTH VARIES, 4'-2"  
STA. 222+61.28 TO  
3'-10" STA. 222+71.43 \*\*



WIDTH VARIES 4'-2"  
STA. 223+62.90 TO 3'-10"  
STA. 223+72.75 \*\*

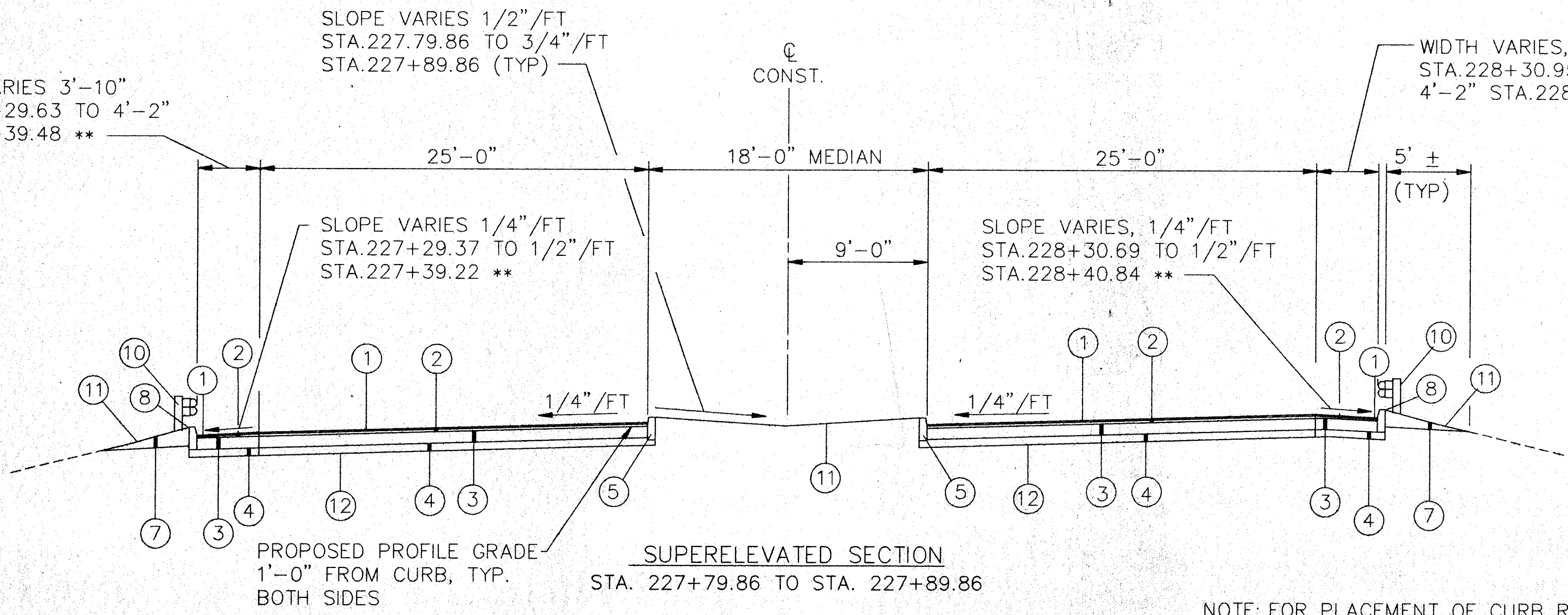
LEGEND

- ① ITEM 404 - 1 1/2" ASPHALT CONCRETE, AC-20
- ② ITEM 402 - 1 1/2" ASPHALT CONCRETE, AC-20
- ③ ITEM 301 - 9" BITUMINOUS AGGREGATE BASE, AC-20
- ④ ITEM 310 - 6" SUBBASE, TYPE 1, GRADING A, AS PER PLAN
- ⑤ ITEM 609 - CURB, TYPE 6
- ⑥ ITEM 605 - 6" SHALLOW PIPE UNDERDRAIN
- ⑦ ITEM 203 - EMBANKMENT
- ⑧ ITEM 609 - CURB, TYPE 6, AS PER PLAN
- ⑩ ITEM 606 - GUARDRAIL, TYPE 5 \*
- ⑪ ITEM 659 - SEEDING & MULCHING
- ⑫ ITEM 203 - SUBGRADE COMPACTION
- ⑬ ITEM 301 - 10 1/2" BITUMINOUS AGGREGATE BASE, AC-20



EROSION CONTROL CURB PLACEMENT DETAIL  
SCALE: NONE

WIDTH VARIES 3'-10"  
STA. 227+29.63 TO 4'-2"  
STA. 227+39.48 \*\*



WIDTH VARIES, 3'-10"  
STA. 228+30.95 TO  
4'-2" STA. 228+41.10 \*\*

NOTE: FOR PLACEMENT OF CURB REQUIRED  
FOR EROSION CONTROL AT BRIDGES,  
SEE DETAIL, THIS SHEET.

\* SEE SHEETS 25 AND 26 FOR  
PROPOSED GUARDRAIL LOCATIONS.  
\*\*STATIONING AT OUTSIDE  
EDGE OF SHOULDER

DATA PLOT 1603ACAD1.PLOT SCALE: 1=5 | 06-11-92