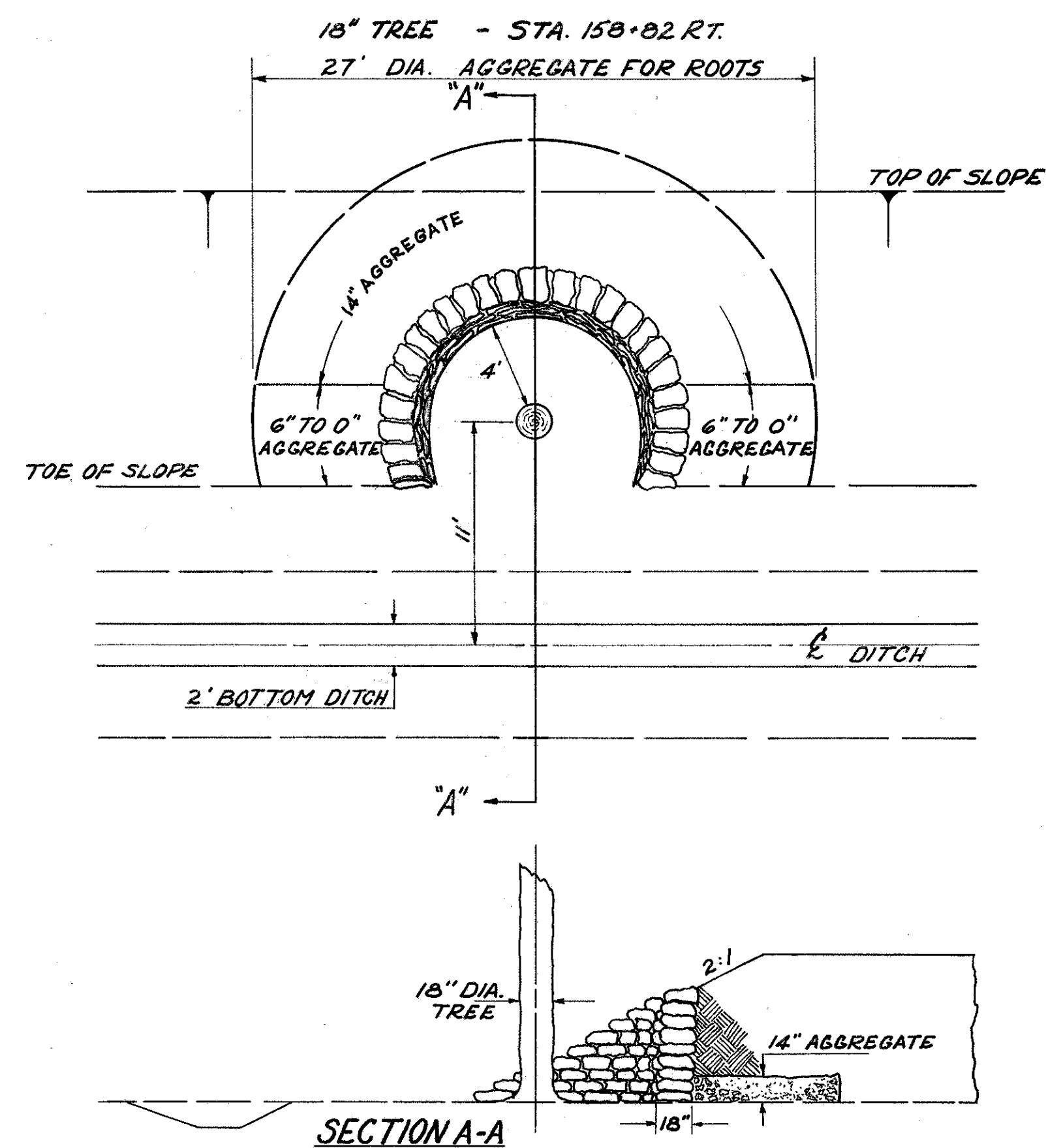
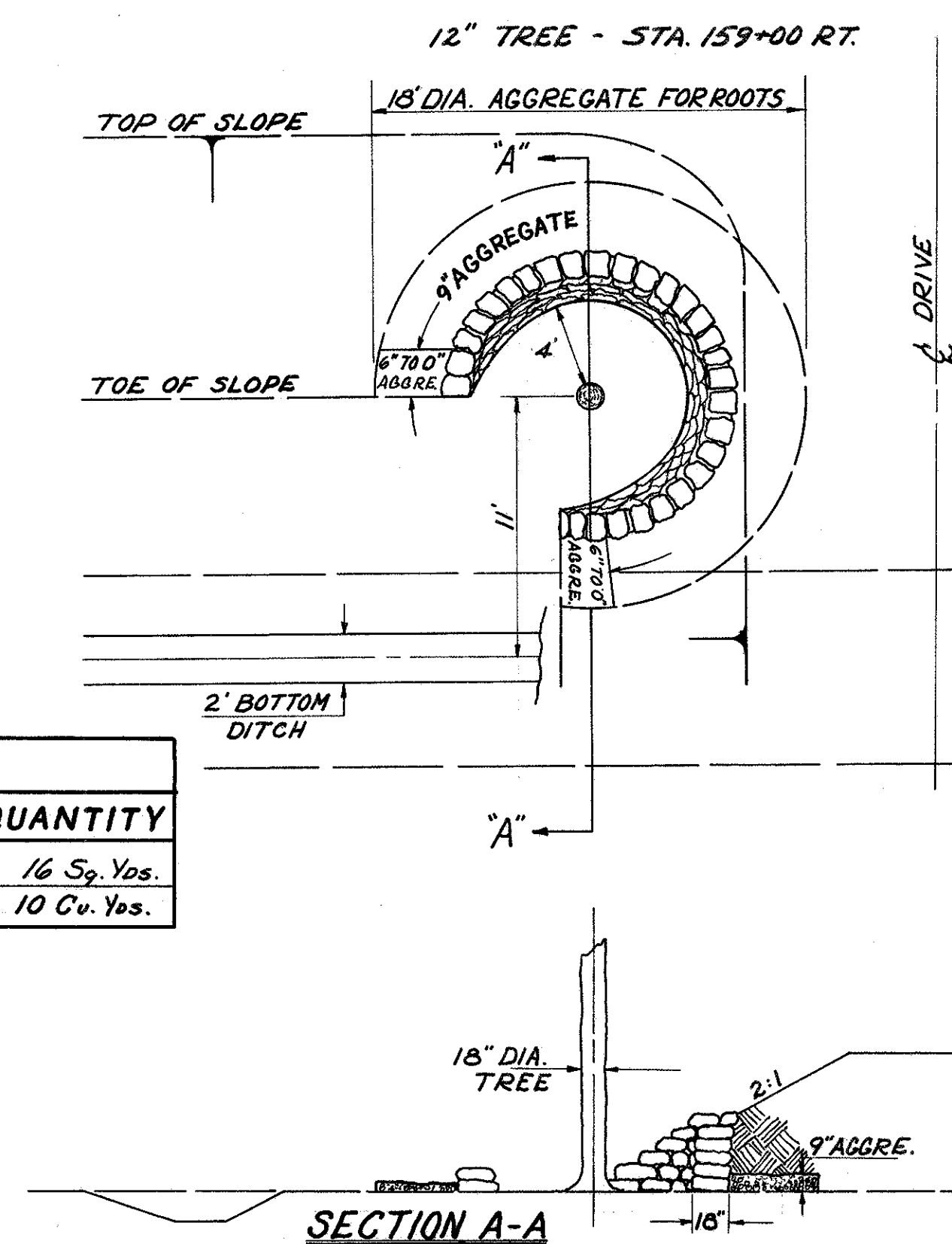


**DETAIL FOR RIPRAP TREE WELL AND  
AGGREGATE FOR TREE ROOT AERATION**



**NOTE:**  
REFER TO STD. DRAWING  
L-1 FOR DETAIL AND  
INFORMATION NOT SHOWN.

ESTIMATED QUANTITIES		
ITEM	DESCRIPTION	QUANTITY
657	RIPRAP FOR TREE PROTECTION 18" THICK	16 Sq. Yds.
658	TREE ROOT AERATION	10 Cu. Yds.



DRIVE