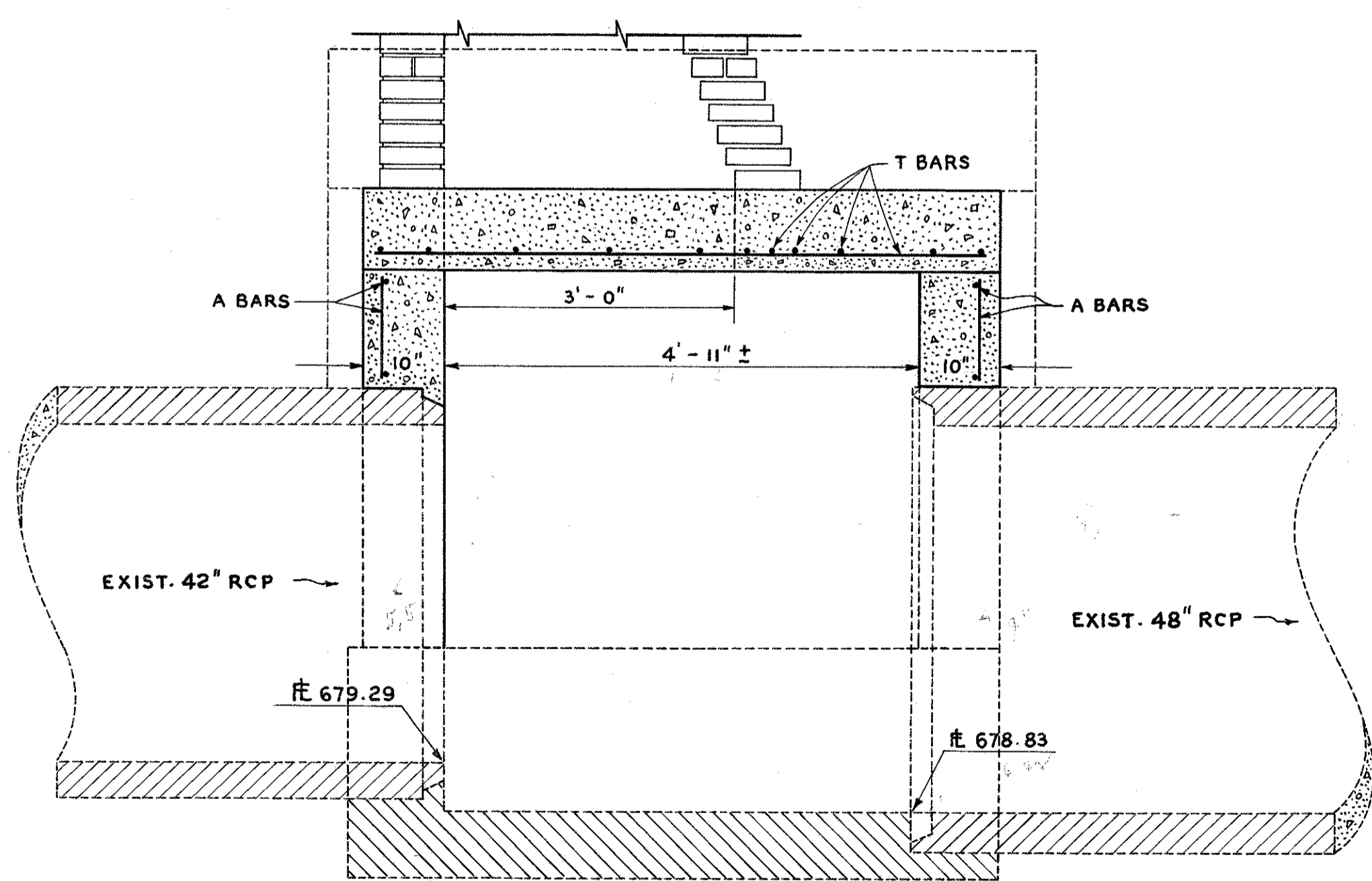


**PLAN VIEW**

SCALE: 3/4" = 1'-0"



**ELEVATION VIEW  
SEC. A-A**

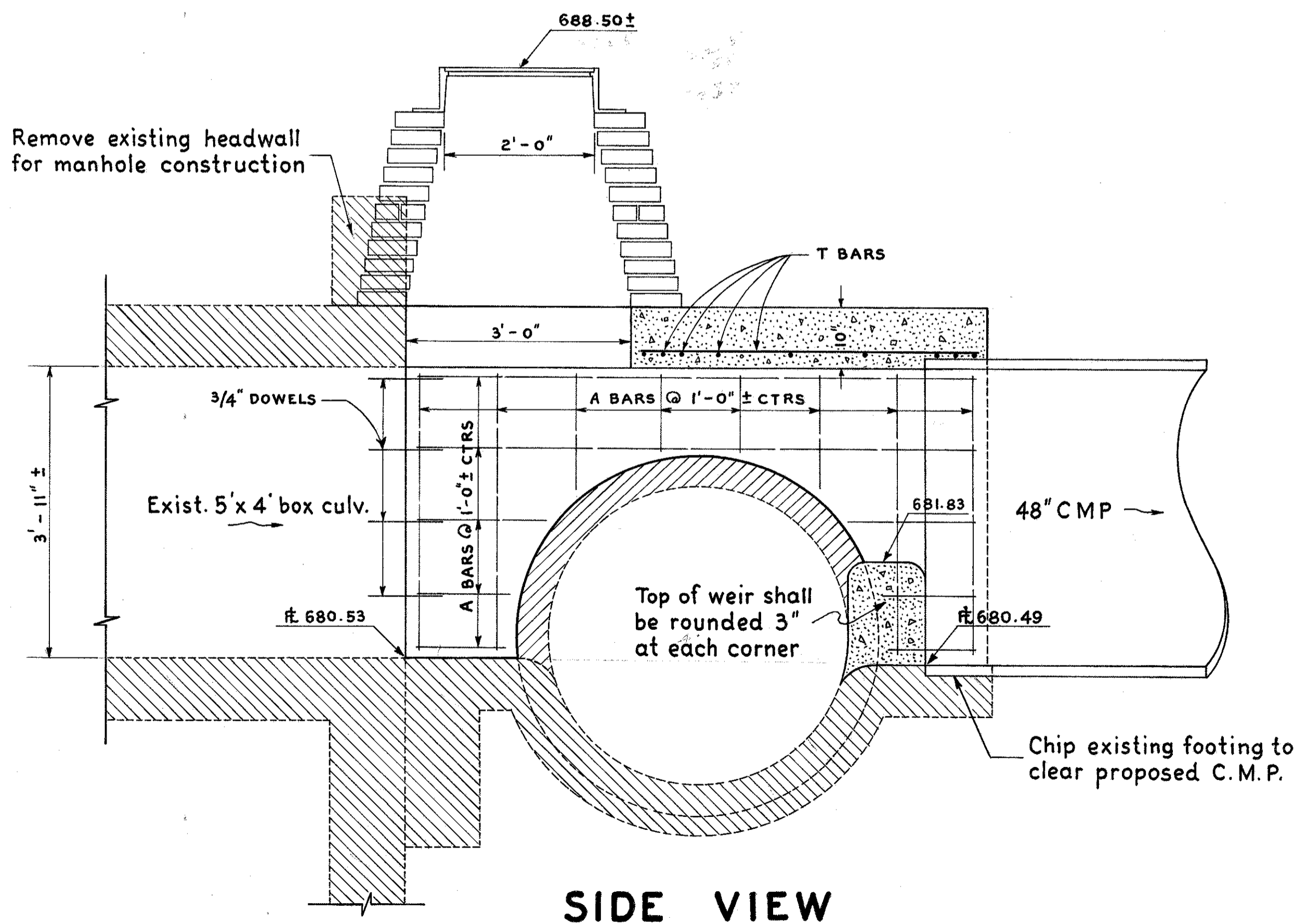
**No. 1-A MANHOLE, MODIFIED**

**DESCRIPTION OF WORK:**

The Contractor shall construct a No. 1-A manhole at the outlet end of the existing 5' x 4' box culvert, Sta. 188+97, using the existing reinforced concrete footing provided for this purpose. This structure shall be modified to conform to the existing field conditions.

All reinforcing steel shall be 5/8" ∅ bars.

For dimensions and details not shown refer to Standard Construction Drawing MH-1A.



**SIDE VIEW  
SEC. B-B**