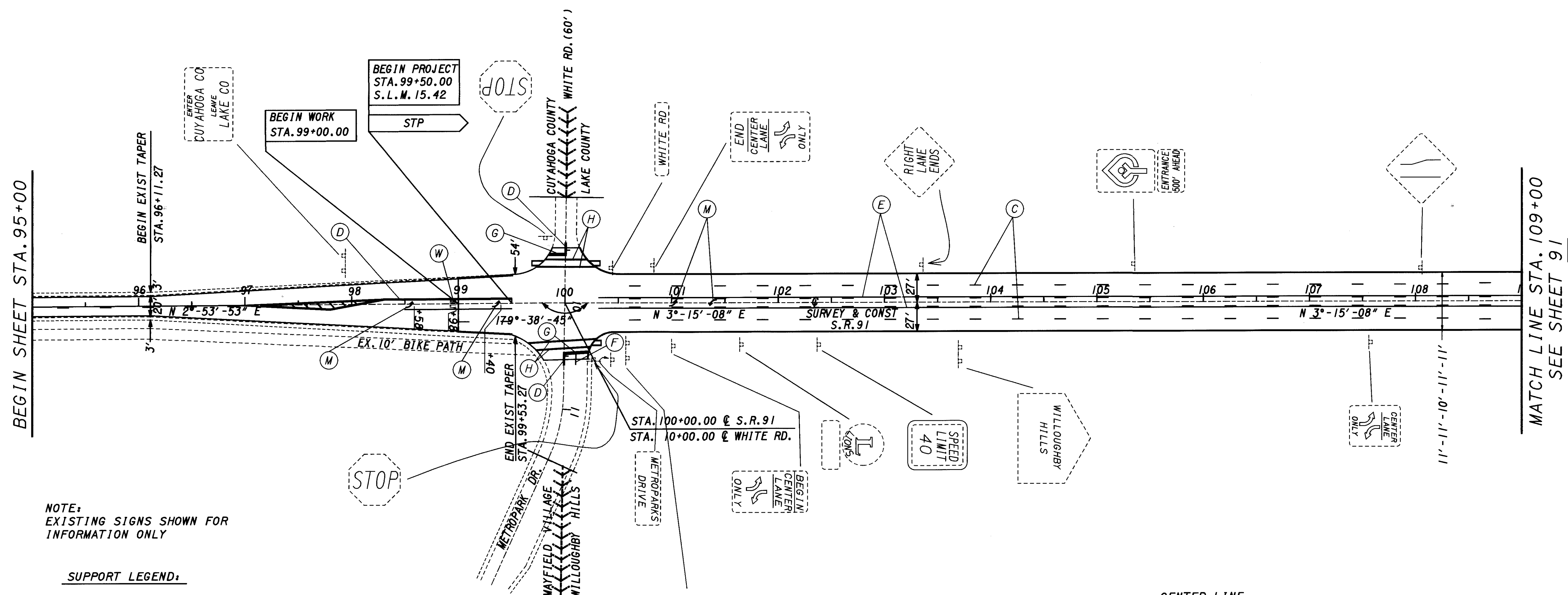


PLOTTED BY: fkonopka
 PLOTTED FROM: j:\users\bkrruse\p\d\09864\09864 tpa.dgn
 09864 TPA.DGN
 PLOT SUBMITTED: 09-OCT-1998 11:51



- PAVEMENT MARKING LEGEND:**
- (A) - EDGE LINE (WHITE)
 - (H) - CROSSWALK LINE
 - (B) - EDGE LINE (YELLOW)
 - (I) - TRANSVERSE LINE (WHITE), 12' c/c
 - (C) - LANE LINE
 - (J) - TRANSVERSE LINE (YELLOW)
 - (D) - CENTER LINE, DOUBLE/SOLID
 - (L) - ISLAND MARKING
 - (E) - CENTER LINE, BROKEN/SOLID
 - (M) - LANE ARROW
 - (F) - CHANNELIZING LINE
 - (W) - WORD "ONLY" ON PAVEMENT
 - (G) - STOP LINE

NOTE:
EXISTING SIGNS SHOWN FOR INFORMATION ONLY

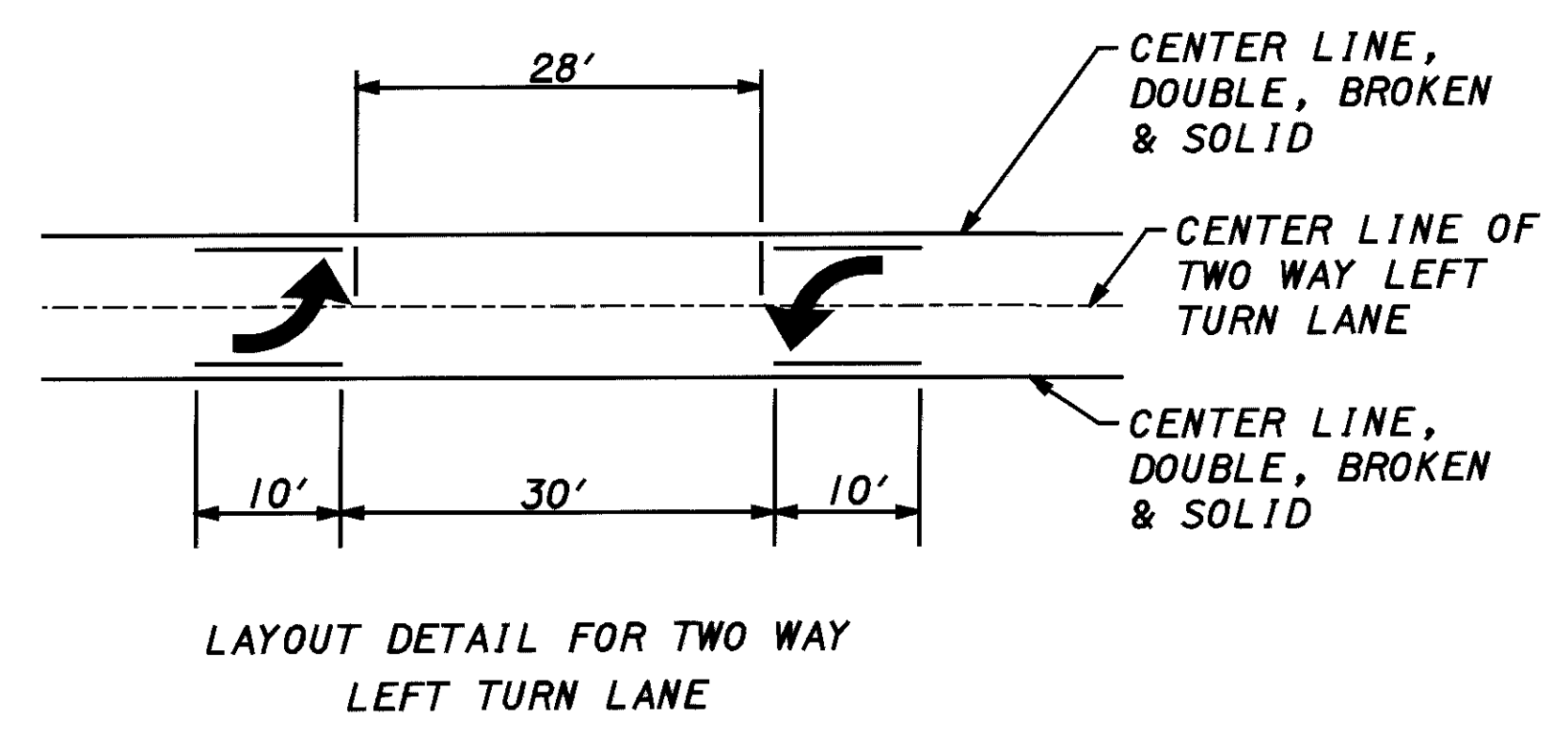
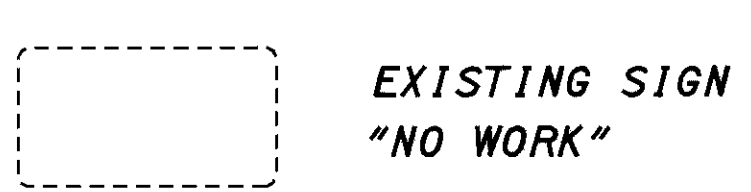
SUPPORT LEGEND:

- EXISTING**
- SINGLE
 - DOUBLE
 - SINGLE, BACK TO BACK
 - DOUBLE, BACK TO BACK
 - STOP, ONE WAY, DO NOT ENTER
 - BANDED TO POLE
 - CANT. OVERHEAD

SIGNAL LEGEND



SIGN LEGEND:



| CROSS REFERENCES | SHEET |
|----------------------|-------|
| PAVT. MARKING LEGEND | 90 |
| SIGN LEGEND | 90 |
| PLAN & PROFILE SHEET | 26-27 |
| CROSS SECTIONS | 47-48 |
| PAVT. MARKING QUANT. | 87-89 |
| | |
| | |