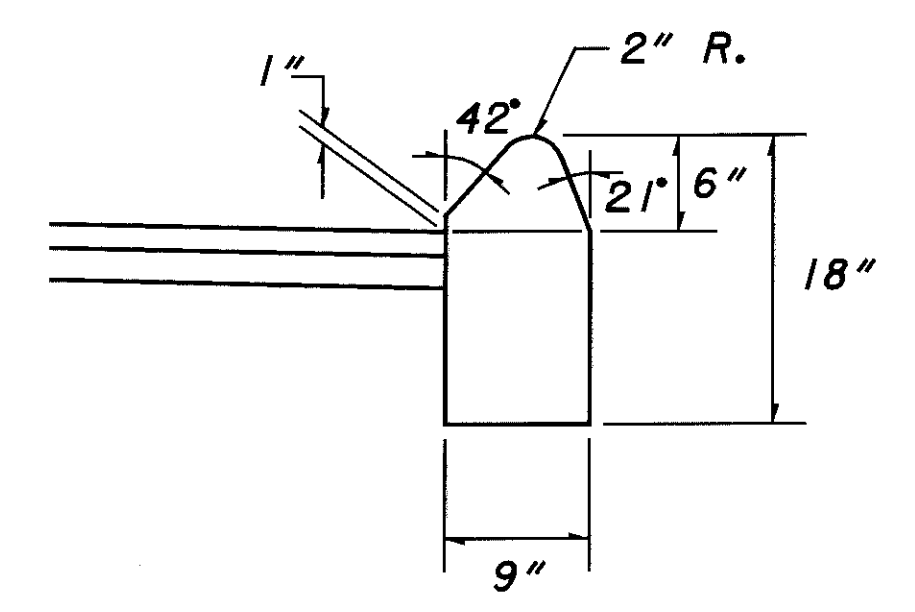
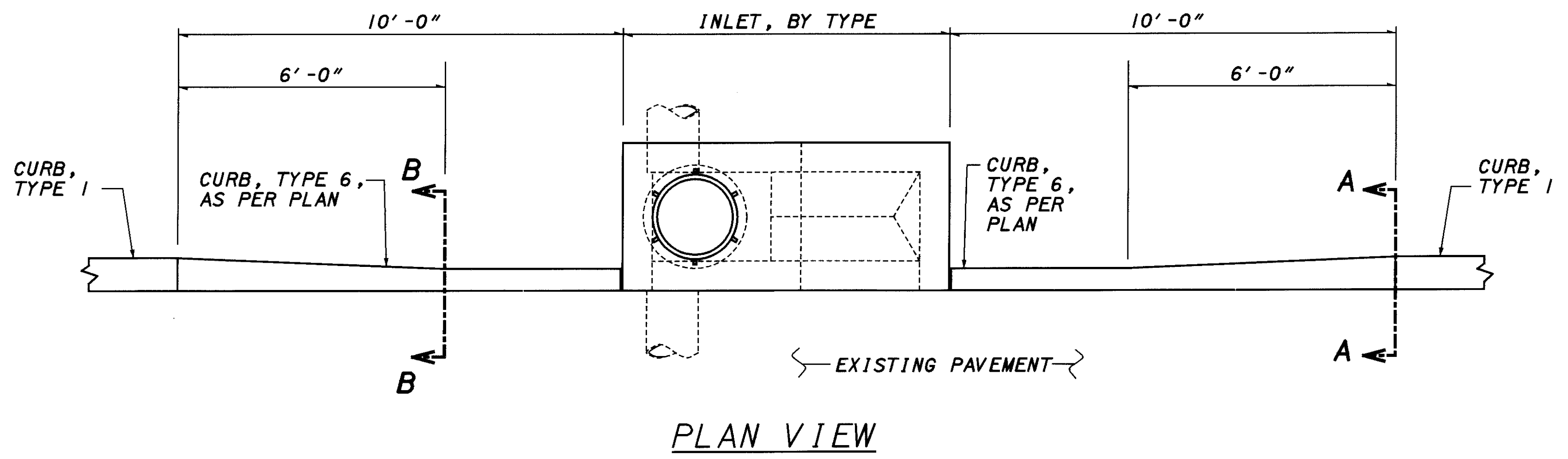


PLOT SUBMITTED: 09-OCT-1998 11:48

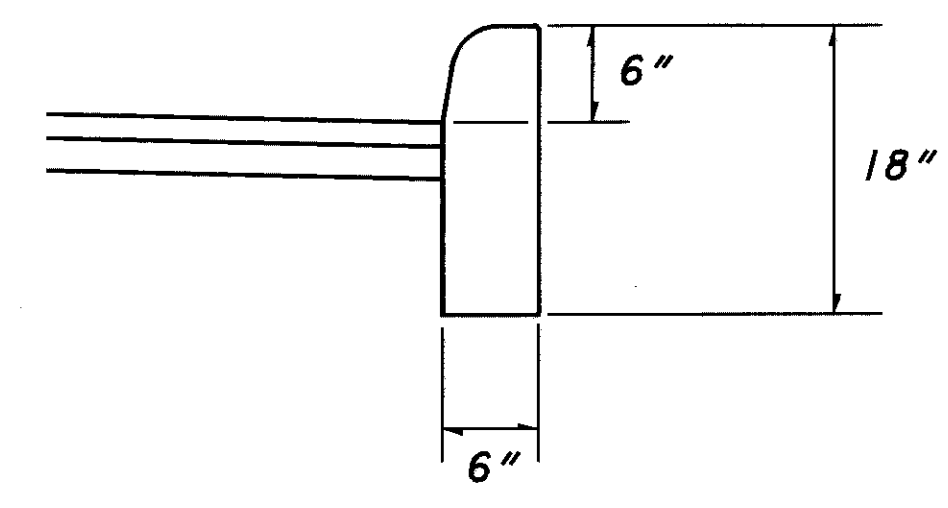
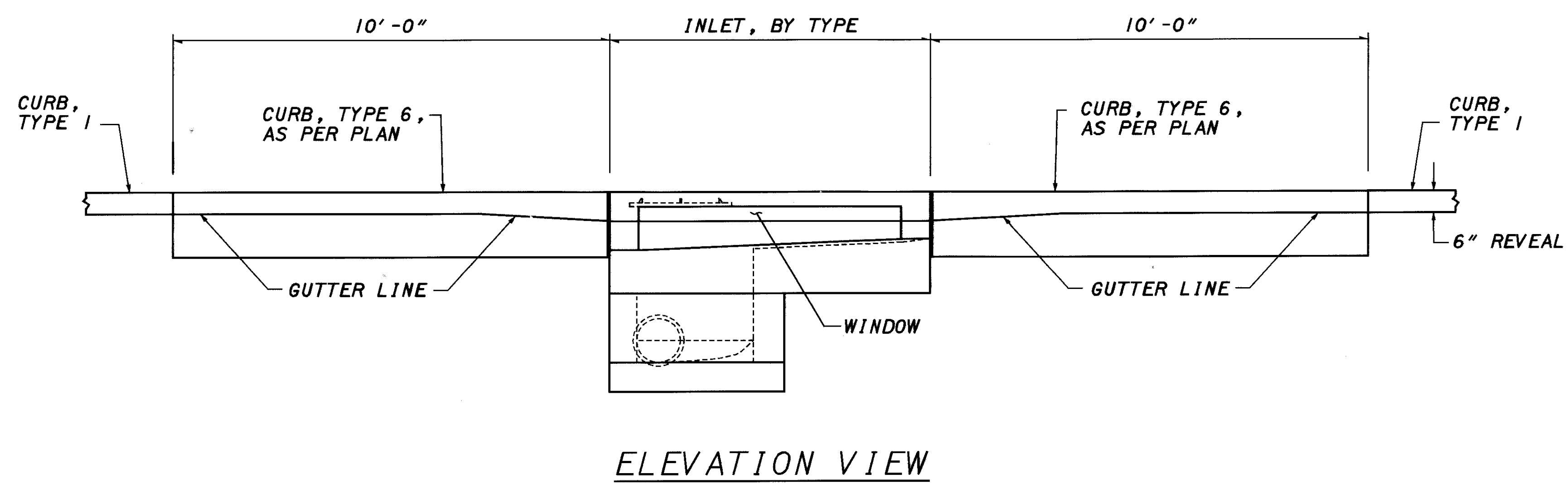
09864GAD.DGN

PLOTTED BY: fkonopka
PLOTTED FROM: \\user\sbkruse\p\d09864\09864gad.dgn

CURB DETAIL AT INLET



SECTION A-A



SECTION B-B

CALCULATED	EMK	CHECKED	ENF

DRAINAGE DETAILS

CUYAHOGA COUNTY
LAKE COUNTY
CUY/LAK-91-15.42/0.00