

PLOT SUBMITTED: 09-OCT-1998 11:46  
 09864GMB.DGN  
 PLOTTED BY: fkonopka  
 PLOTTED FROM:

EX. SW CURVE RETURN DATA

$\Delta = 98^\circ - 38' - 52''$   
 $Dc = 114^\circ - 35' - 30''$   
 $R = 50'$   
 $T = 58.17'$   
 $L = 86.09'$   
 $Ch = 75.84'$   
 $E = 26.71'$

EX. NW CURVE RETURN DATA

$\Delta = 80^\circ - 12' - 38''$   
 $Dc = 114^\circ - 35' - 30''$   
 $R = 50'$   
 $T = 42.11'$   
 $L = 70.00'$   
 $Ch = 64.42'$   
 $E = 15.37'$

EX. NW CURVE RETURN DATA

$\Delta = 58^\circ - 41' - 00''$   
 $Dc = 57^\circ - 17' - 45''$   
 $R = 100'$   
 $T = 56.21'$   
 $L = 102.42'$   
 $Ch = 98.00'$   
 $E = 14.72'$

EX. SW CURVE RETURN DATA

$\Delta = 122^\circ - 27' - 54''$   
 $Dc = 143^\circ - 14' - 22''$   
 $R = 40'$   
 $T = 72.86'$   
 $L = 85.50'$   
 $Ch = 70.13'$   
 $E = 43.12'$

EX. SE CURVE RETURN DATA

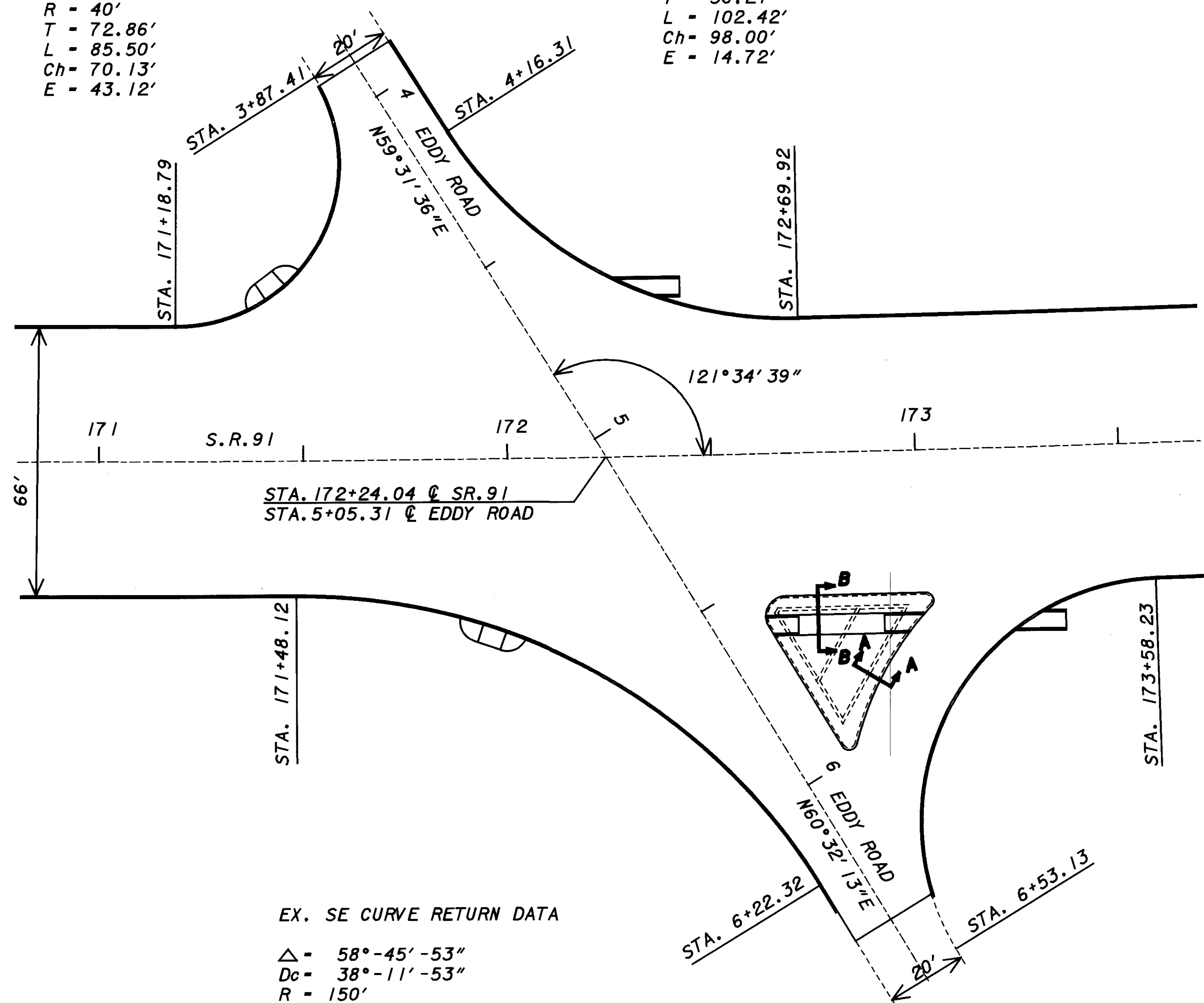
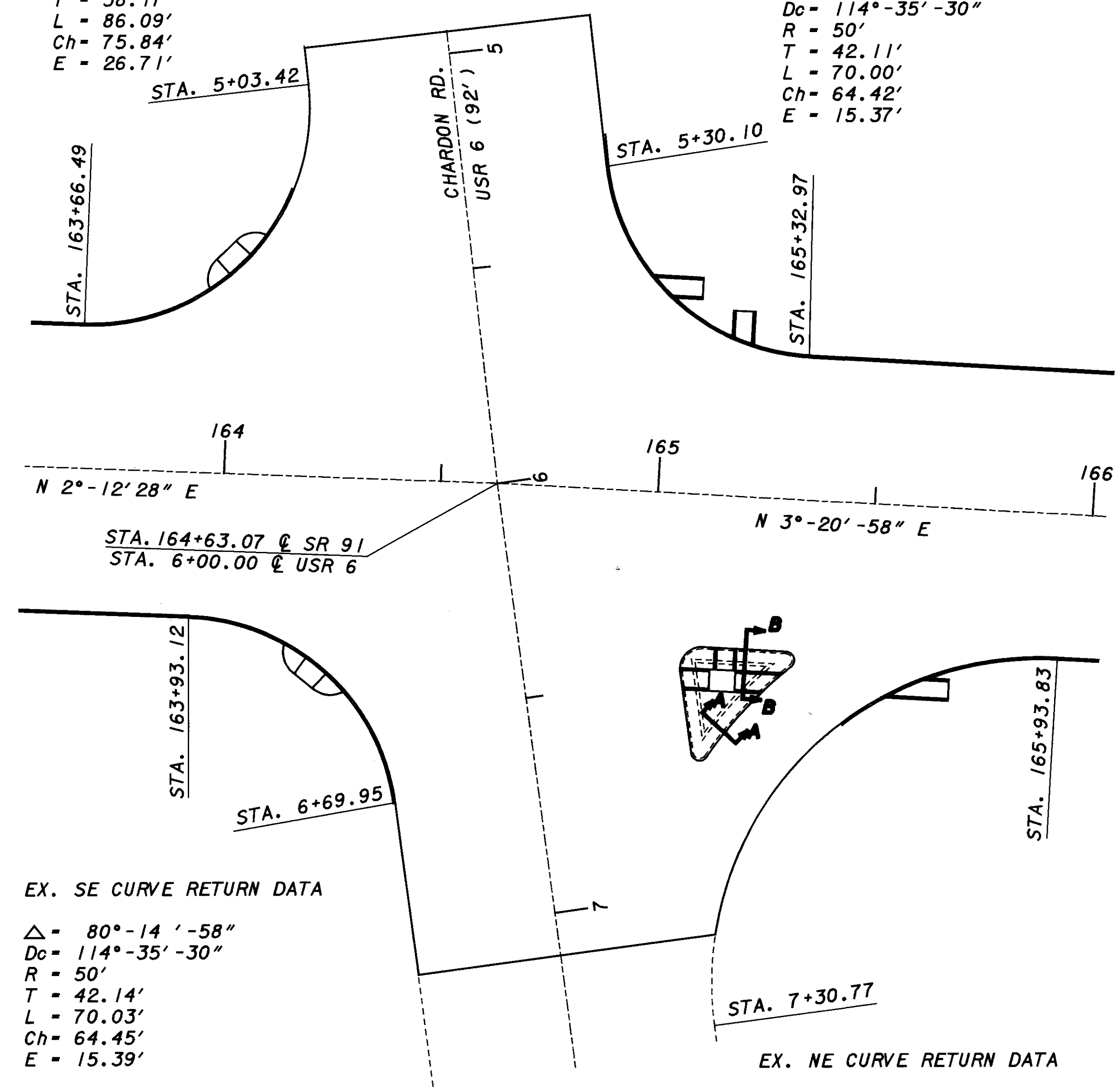
$\Delta = 58^\circ - 45' - 53''$   
 $Dc = 38^\circ - 11' - 53''$   
 $R = 150'$   
 $T = 84.46'$   
 $L = 153.85'$   
 $Ch = 147.19'$   
 $E = 22.14'$

EX. NE CURVE RETURN DATA

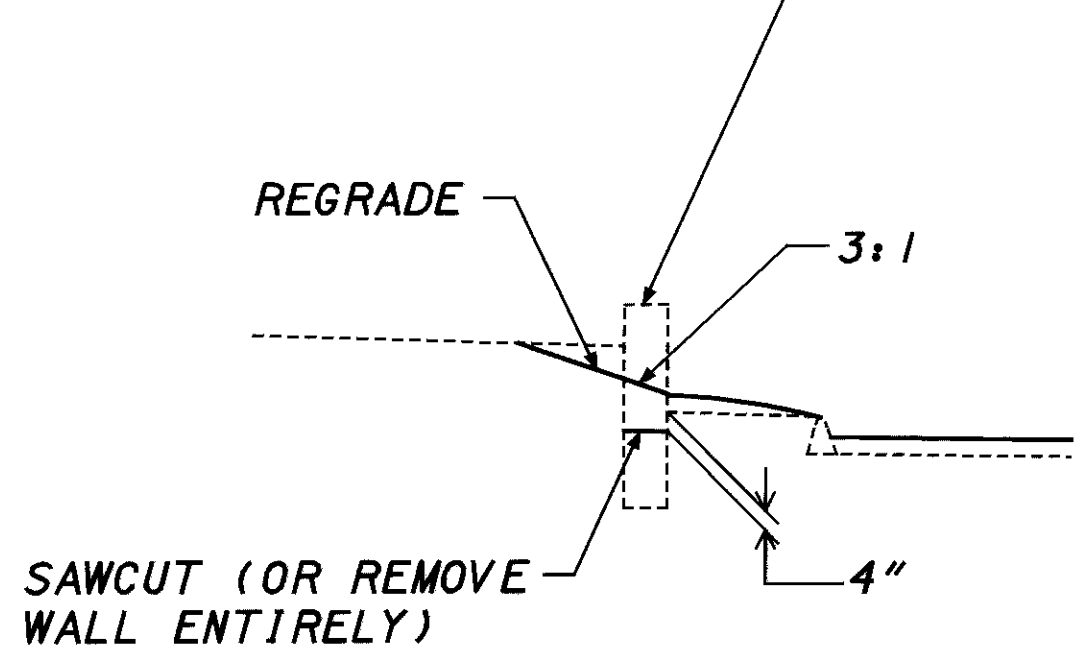
$\Delta = 100^\circ - 53' - 32''$   
 $Dc = 76^\circ - 23' - 40''$   
 $R = 75'$   
 $T = 90.81'$   
 $L = 132.07'$   
 $Ch = 115.65'$   
 $E = 42.78'$

EX. NE CURVE RETURN DATA

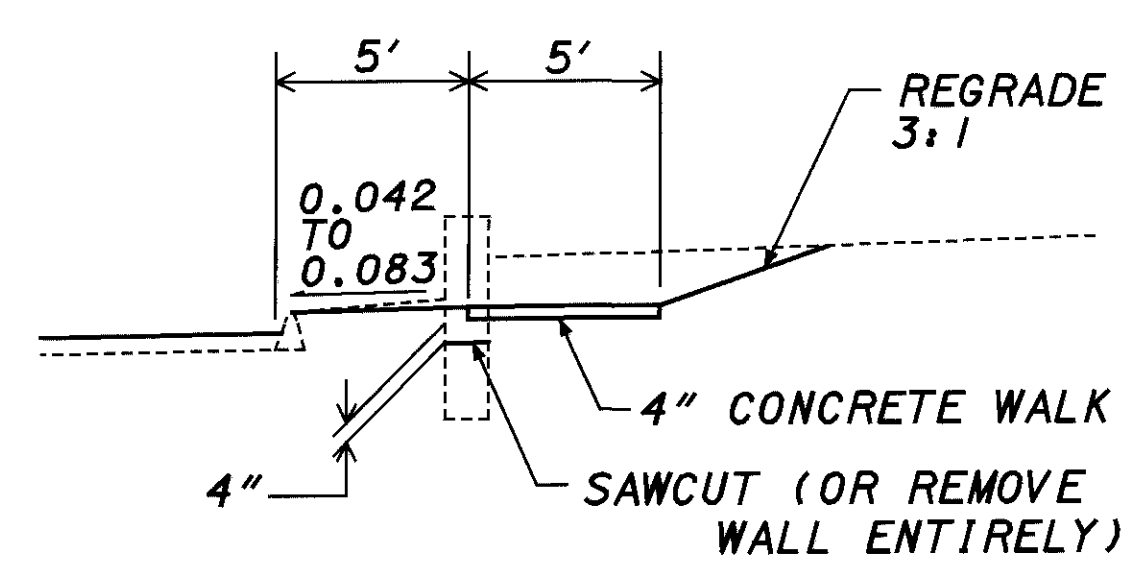
$\Delta = 119^\circ - 39' - 34''$   
 $Dc = 95^\circ - 29' - 35''$   
 $R = 60'$   
 $T = 103.21'$   
 $L = 125.31'$   
 $Ch = 103.74'$   
 $E = 59.39'$



ITEM 202 - REMOVAL MISC. :  
REMOVAL OF CONCRETE FLOWER  
PLANTER



SECTION A-A



SECTION B-B

SCALE - IN FEET

CALCULATED	EMK
CHECKED	ENF

INTERSECTION DETAIL SHEET  
 S.R. -91 AND U.S.R. 6 &  
 S.R. -91 AND EDDY RD.

CUYAHOGA COUNTY  
 LAKE COUNTY  
 CUY/LAK-91-15.42/0.00

80
104