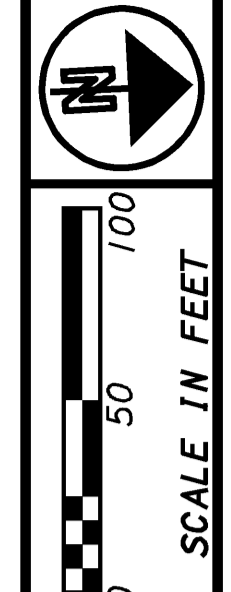
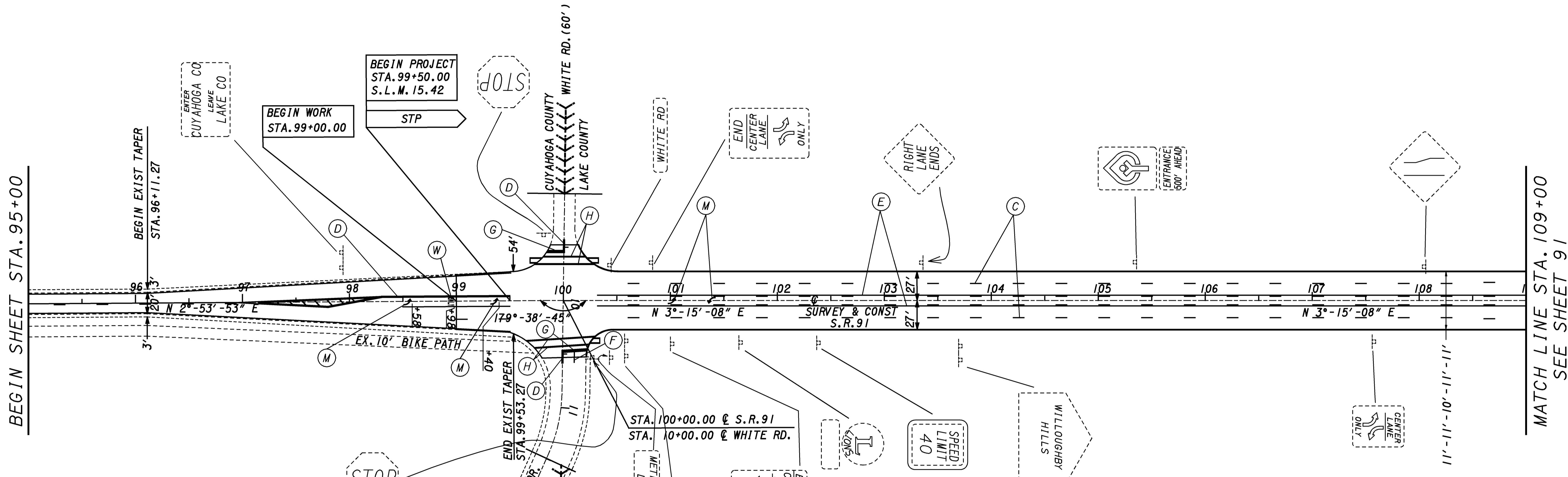


**PAVEMENT MARKING LEGEND:**

- (A) - EDGE LINE (WHITE)
- (B) - EDGE LINE (YELLOW)
- (C) - LANE LINE
- (D) - CENTER LINE, DOUBLE/SOLID
- (E) - CENTER LINE, BROKEN/SOLID
- (F) - CHANNELIZING LINE
- (G) - STOP LINE
- (H) - CROSSWALK LINE
- (I) - TRANSVERSE LINE (WHITE), 12' c/c
- (J) - TRANSVERSE LINE (YELLOW)
- (L) - ISLAND MARKING
- (M) - LANE ARROW
- (W) - WORD "ONLY" ON PAVEMENT



CALCULATED  
 BJK  
 CHECKED  
 DRL



NOTE:  
 EXISTING SIGNS SHOWN FOR  
 INFORMATION ONLY

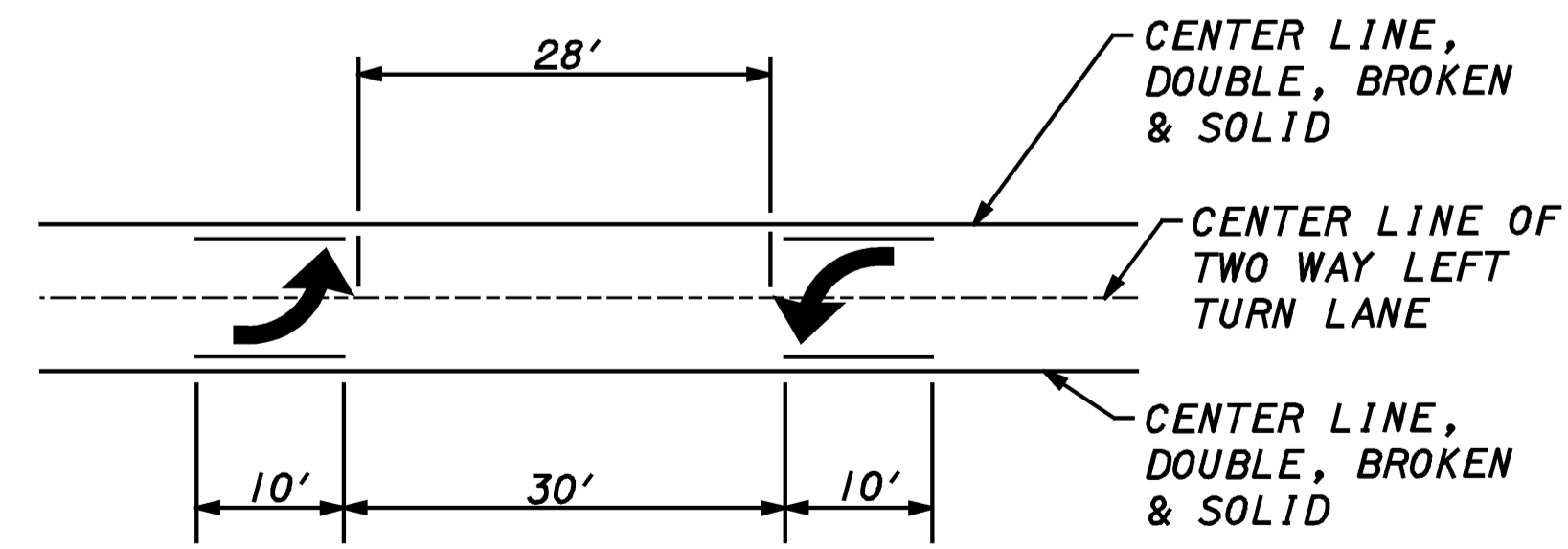
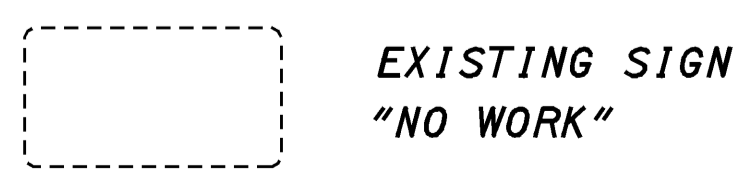
**SUPPORT LEGEND:**

- EXISTING
- SINGLE
  - DOUBLE
  - SINGLE, BACK TO BACK
  - DOUBLE, BACK TO BACK
  - STOP, ONE WAY, DO NOT ENTER
  - BANDED TO POLE
  - CANT. OVERHEAD

**SIGNAL LEGEND**



**SIGN LEGEND:**



CROSS REFERENCES	SHEET
PAVT. MARKING LEGEND	90
SIGN LEGEND	90
PLAN & PROFILE SHEET	26-27
CROSS SECTIONS	47-48
PAVT. MARKING QUANT.	87-89

TRAFFIC CONTROL PLAN SHEET  
 S.R. 91  
 STA. 95+00 TO STA. 109+00

CUYAHOGA COUNTY  
 LAKE COUNTY  
 CUY/LAK-91-15.42/0.00