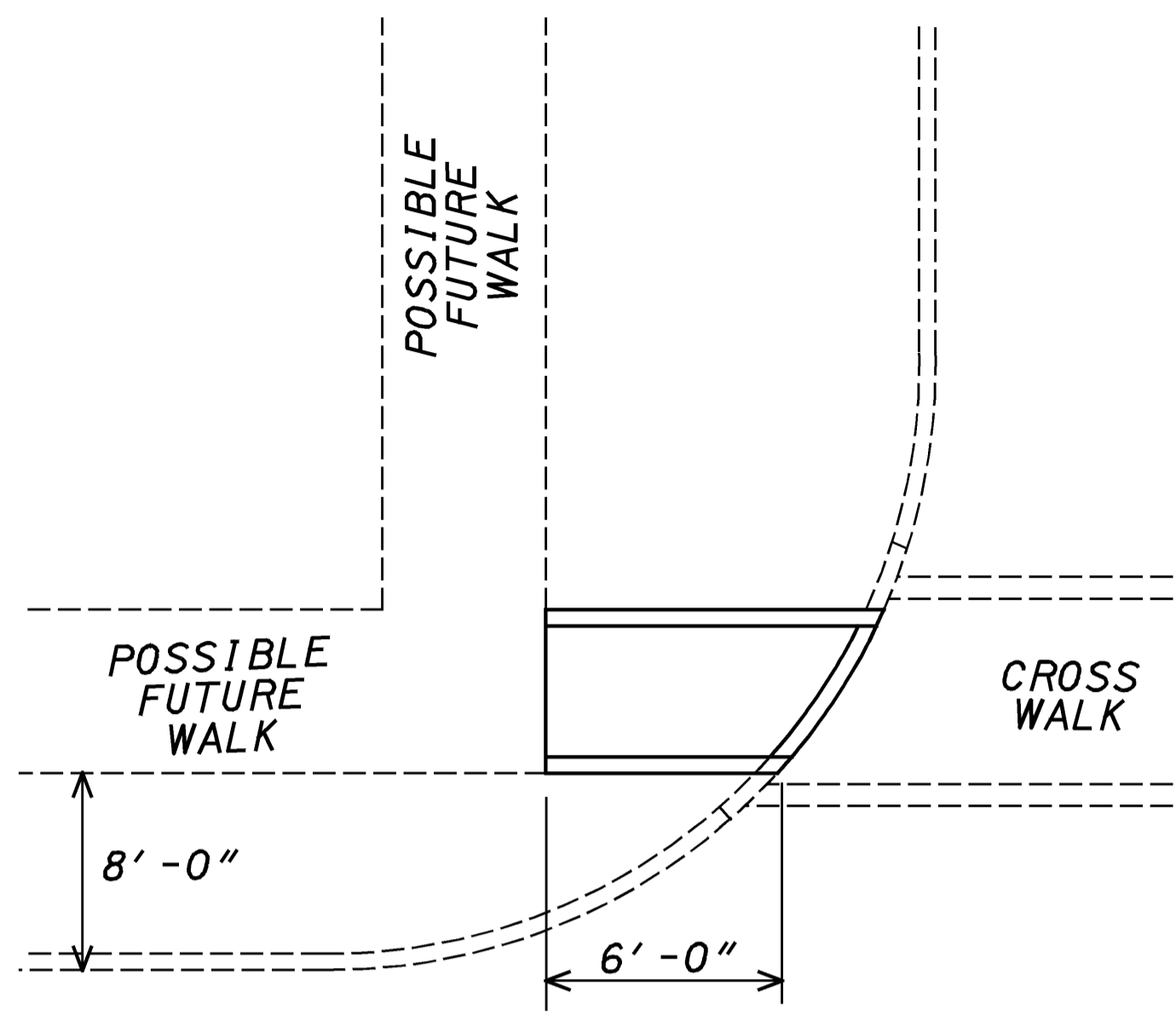


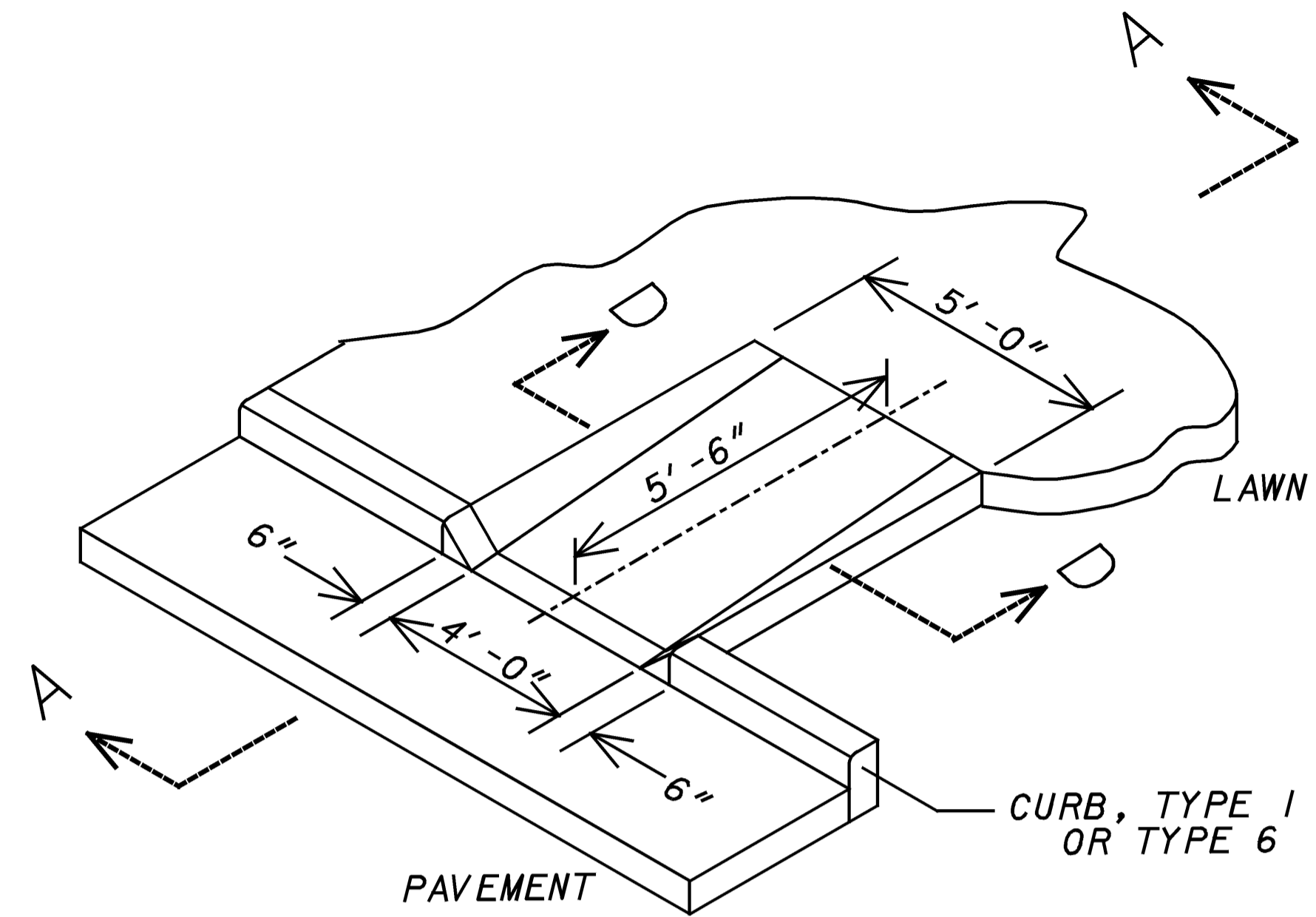
PLOT SUBMITTED: 09-OCT-1998 11:47

09864GMJ.dgn

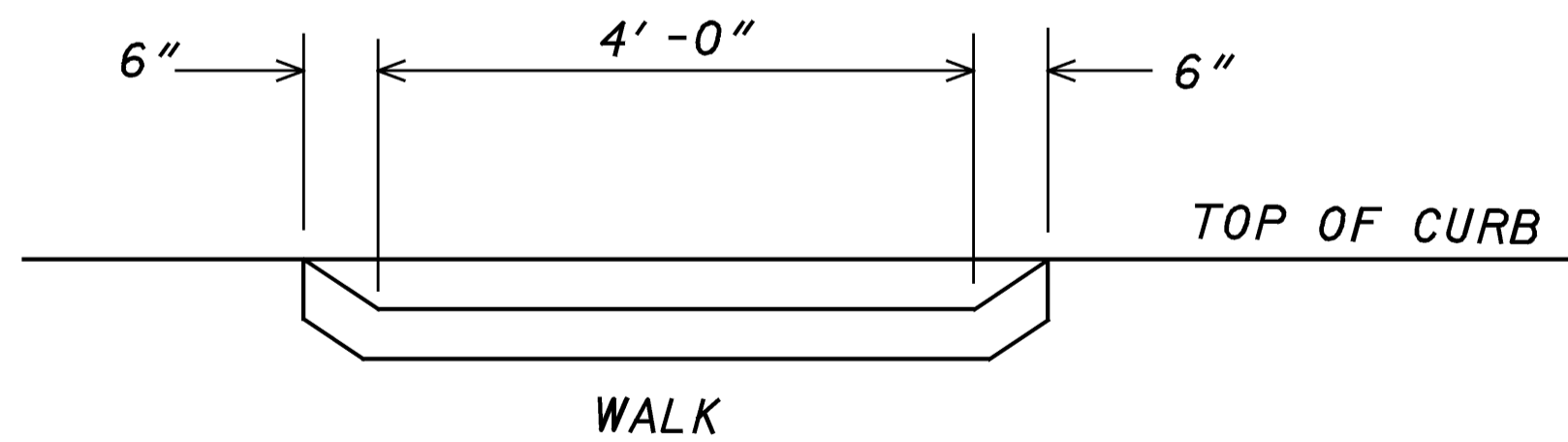
PLOTTED BY: fkonopka
PLOTTED FROM: \\users\bkruse\p\d\09864\09864gmj.dgn



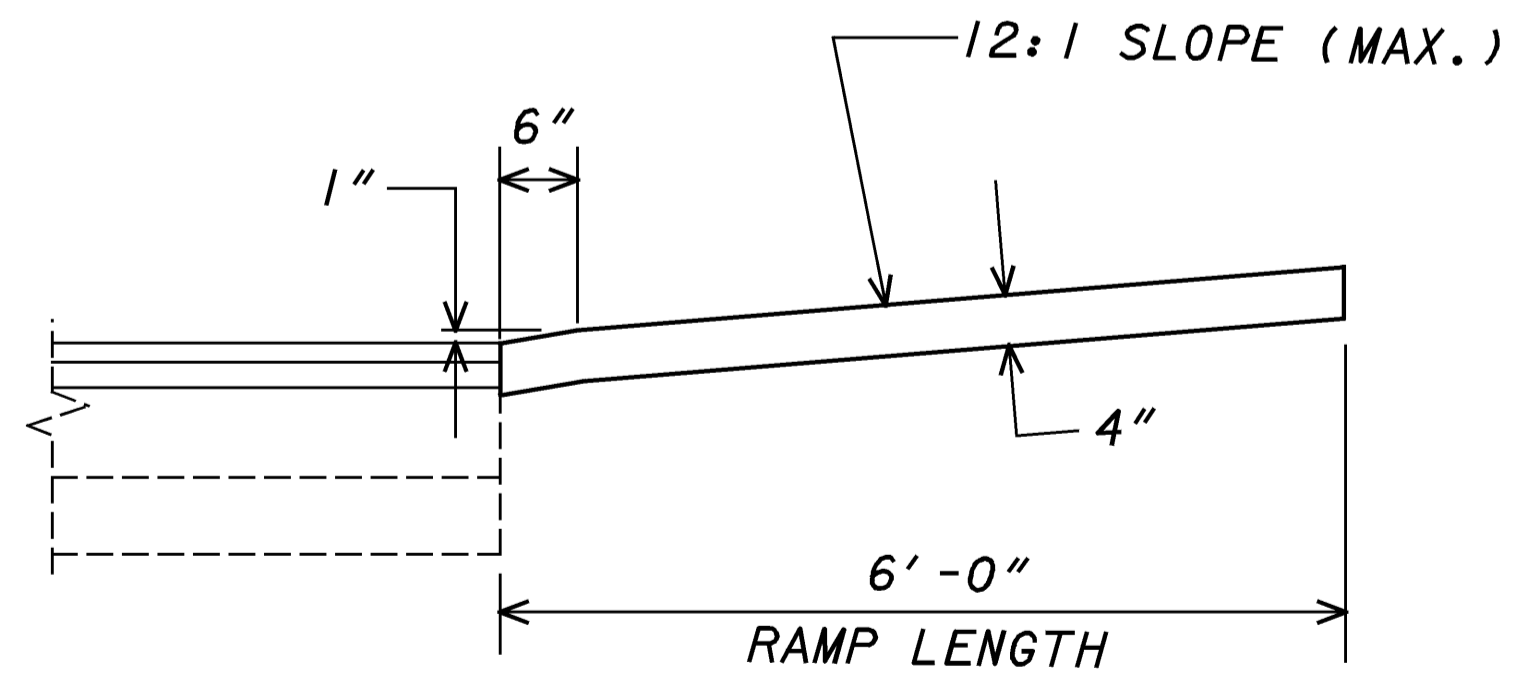
TYPICAL RAMP LOCATION



CURB RAMP
TYPE 2 (MODIFIED)



SECTION D-D



SECTION A-A

NOTES:

THESE DETAILS ARE TO BE USED FOR AREAS WHERE THERE IS NO EXISTING OR PROPOSED WALK.

THESE DETAILS SUPPLEMENT STANDARD DRAWING BP-7.1 DATED 10-30-94 AND DO NOT IN ANY WAY REPLACE THE STANDARD DRAWING.

REFER TO STANDARD FOR ALL OTHER SITUATIONS.

SEE SHEET 23
FOR WALK LOCATIONS
AND QUANTITIES.

CALCULATED
BJK
CHECKED
ENF

CURB RAMP DETAIL

CUYAHOGA COUNTY
LAKE COUNTY
CUY/LAK-91-15.42/0.00

84
104