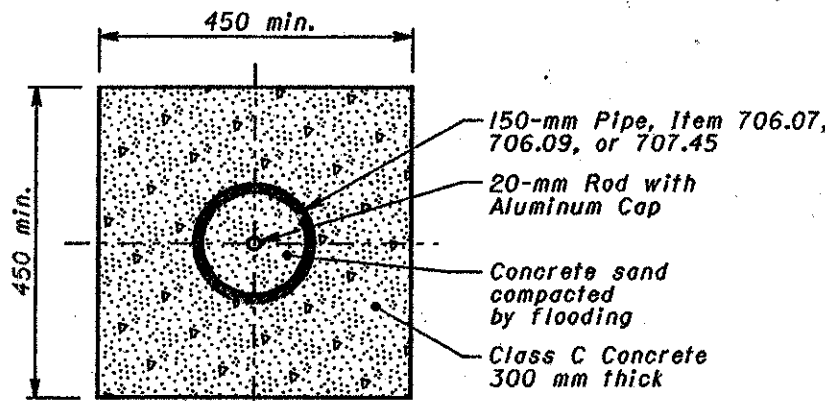
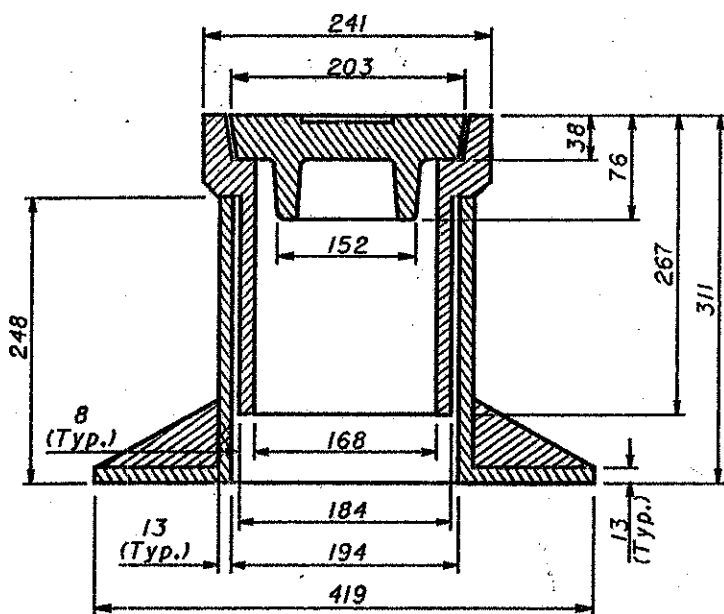


TOP VIEW

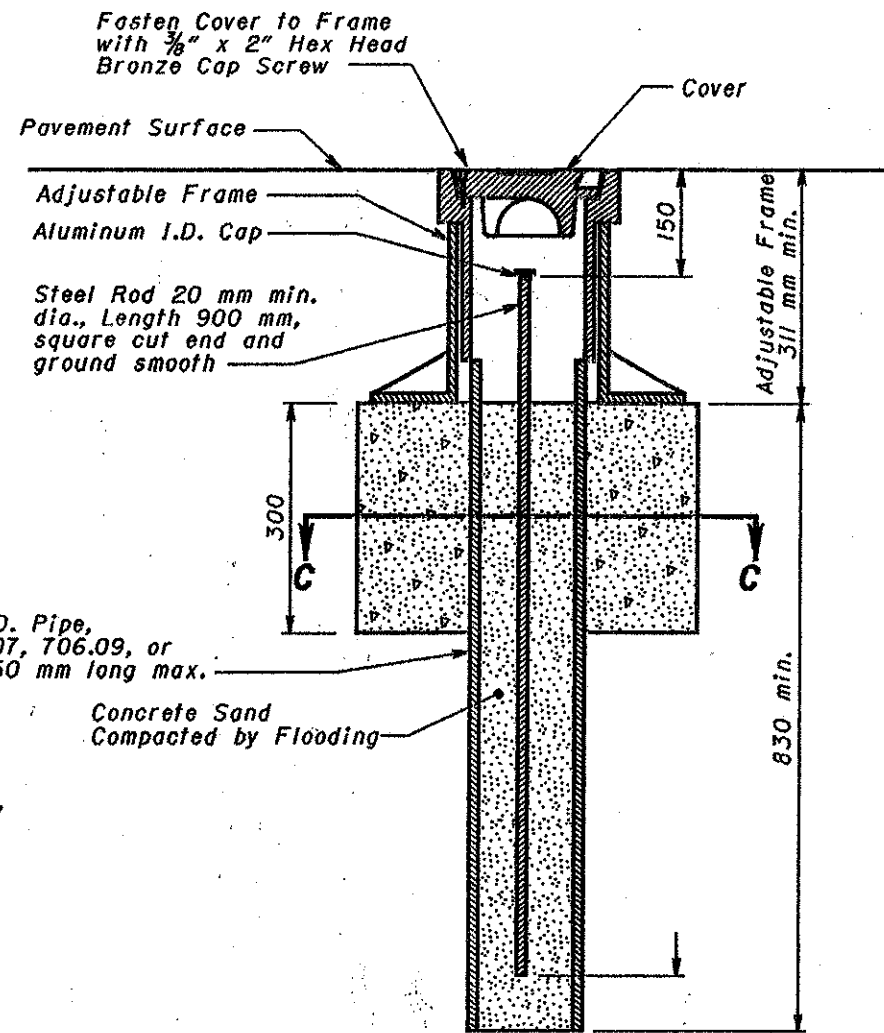


SECTION C-C



SECTION A-A

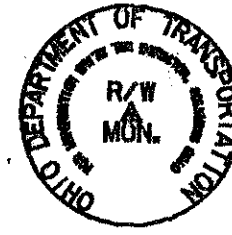
ADJUSTABLE CENTERLINE MONUMENT DETAILS



SIDE VIEW

150-mm I.D. Pipe, Item 706.07, 706.09, or 707.45, 850 mm long max.

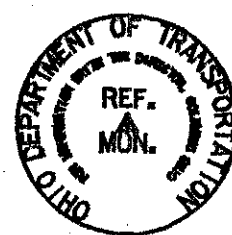
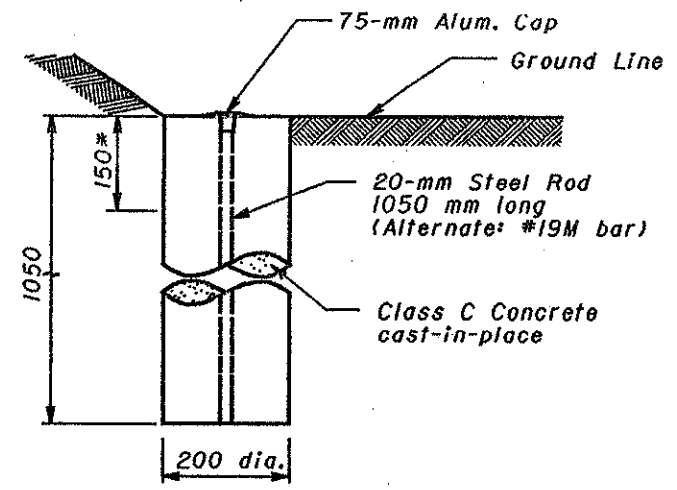
Concrete Sand Compacted by Flooding



ALUMINUM CAP PLAN VIEW

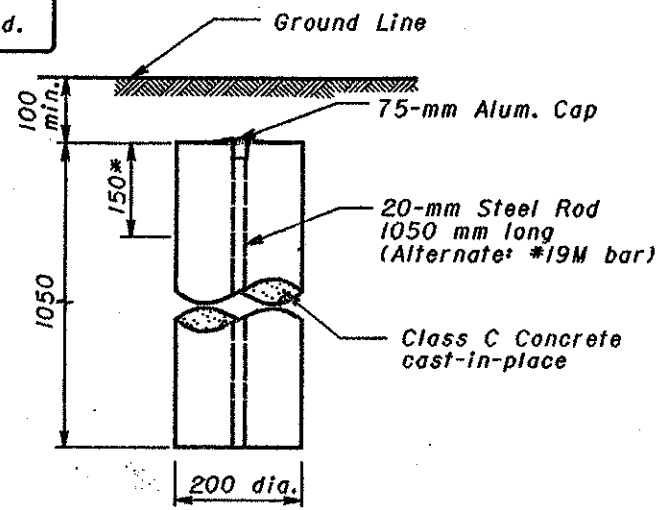
RIGHT OF WAY MONUMENT DETAILS

* The upper 150 mm of the 1050 mm cast-in-place monument shall be formed.



ALUMINUM CAP PLAN VIEW

REFERENCE MONUMENT DETAILS



NOTES

The details and dimensions shown on the Monument Assembly drawing represent a direct conversion of the English dimensions to metric units. Existing products are currently manufactured solely in English units; therefore, the dimensions for the 3/8" x 2" hex head bolt were not converted to an equivalent metric size.

The aluminum identification cap shall be furnished and installed by ODOT.

The monuments shall be placed under the direction of a registered Surveyor and are to be set, as shown by the Highway Contractor at the time of construction. All alterations, with prior approval of the Ohio Department of Transportation, shall be noted and ODOT shall be notified of the new locations.

All dimensions are in millimeters unless otherwise noted.



OFFICE OF PLANNING OHIO DEPARTMENT OF TRANSPORTATION	
ROADWAY ITEMS	DATE 6-30-95 4-8-97
STANDARD CONSTRUCTION DRAWING RM-11M	
APPROVED <i>[Signature]</i> ADMINISTRATOR	