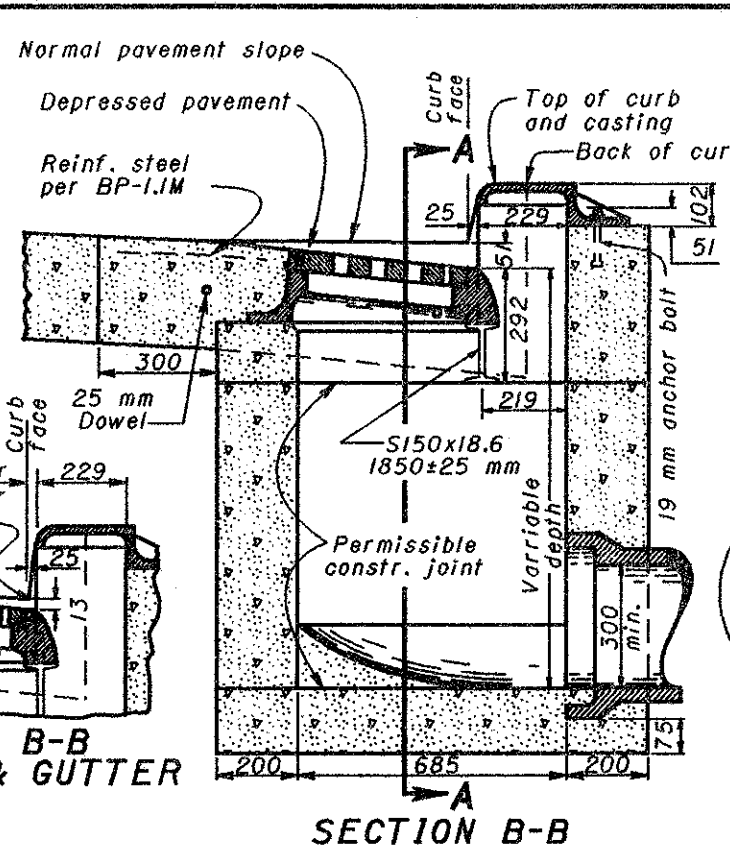
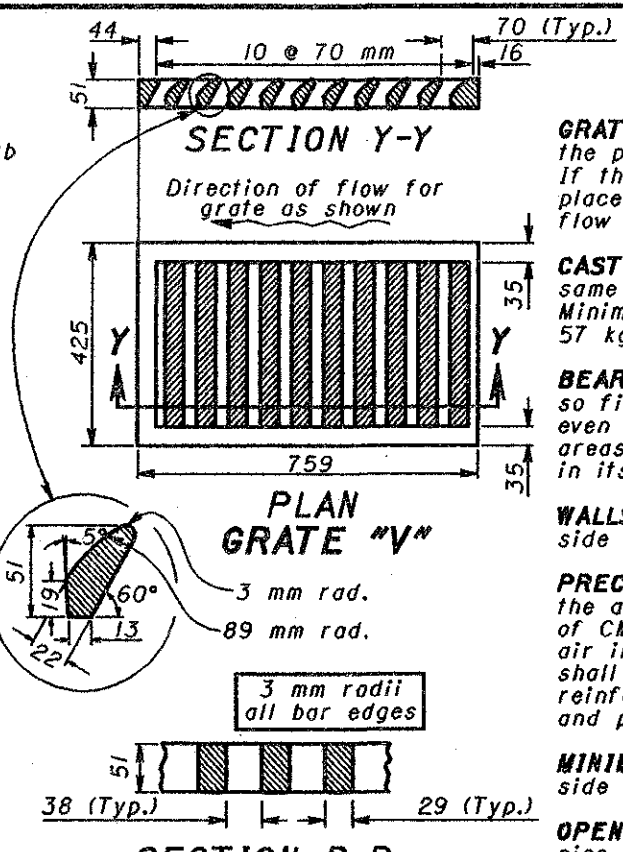


SECTION A-A

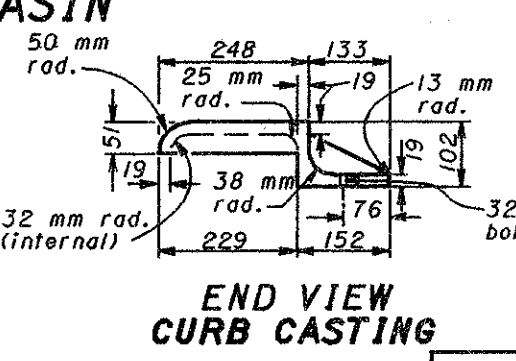
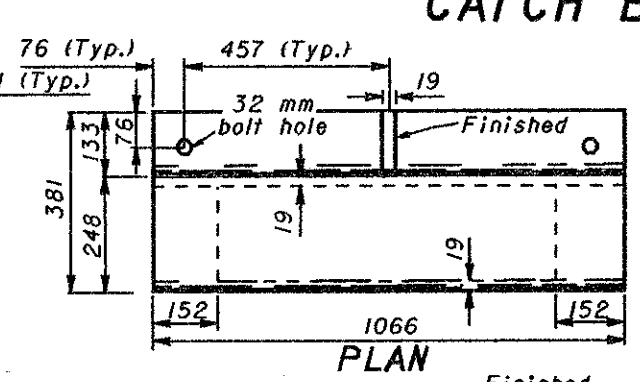
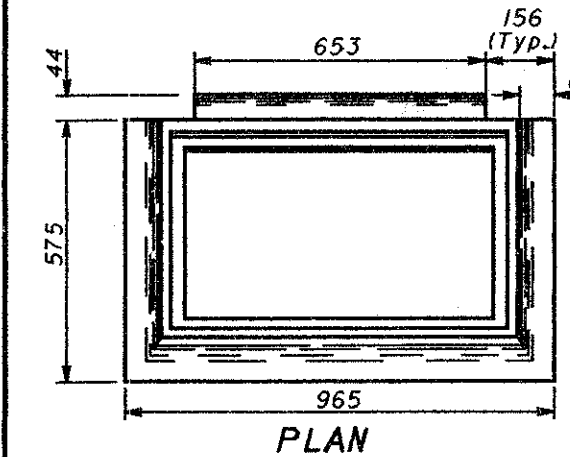


SECTION B-B WITH CURB & GUTTER

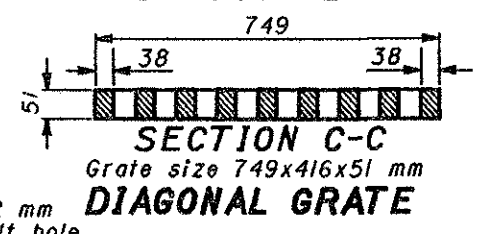


SECTION D-D

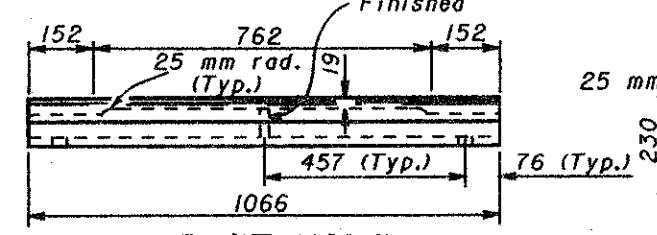
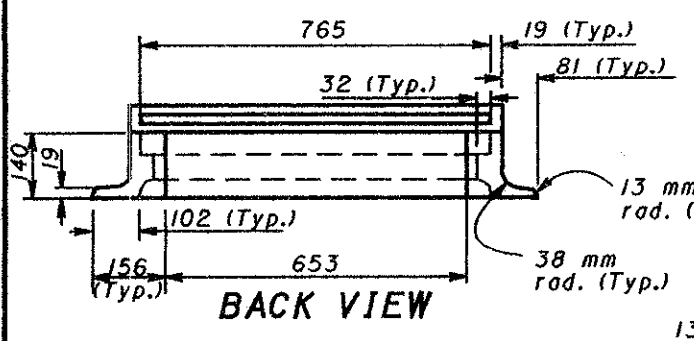
CATCH BASIN



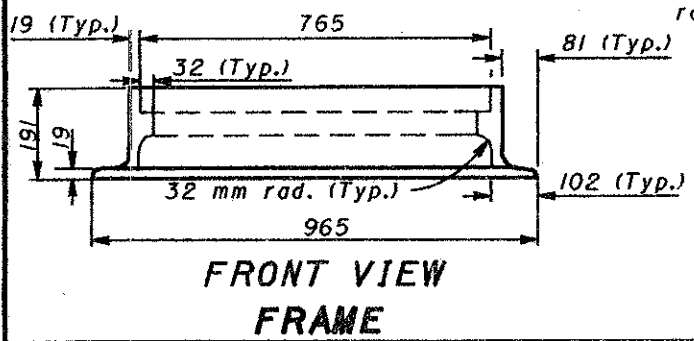
END VIEW CURB CASTING



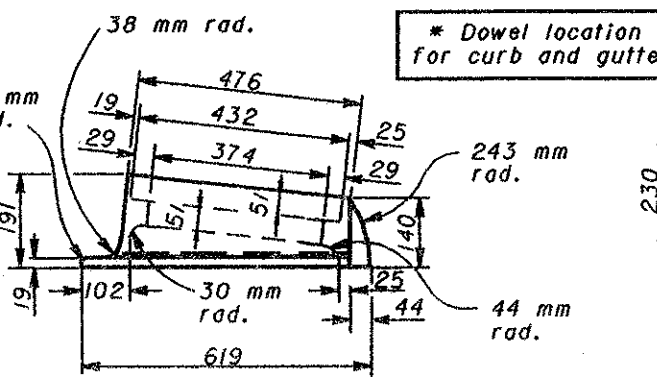
SECTION C-C DIAGONAL GRATE



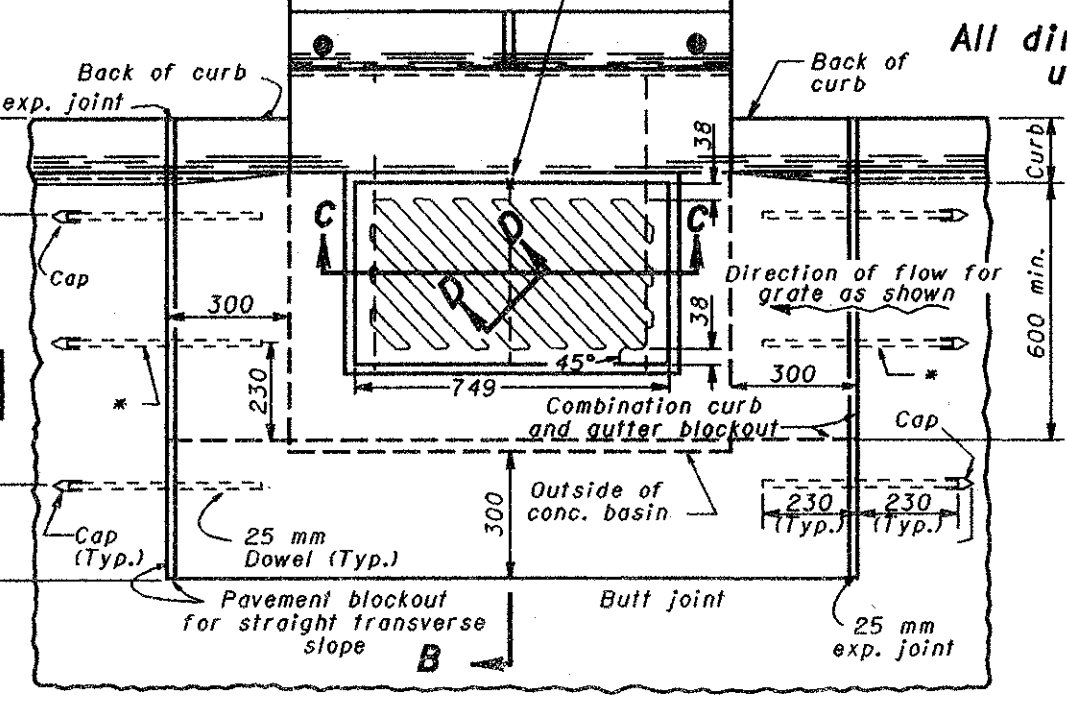
FRONT VIEW CURB CASTING



FRONT VIEW FRAME



END VIEW FRAME



PLAN OF CATCH BASIN AND PAVEMENT JOINTS

NOTES

- GRATE:** The Grate "V" shall be provided unless the plans specifically require the diagonal grate. If the diagonal grate is specified, it shall be placed so that the diagonal bars direct drainage flow toward the curb.
- CASTINGS:** The design shall be essentially the same and equally as strong as those shown. Minimum mass: Curb Casting 77 kg, Standard Grate 57 kg, Frame 145 kg, and Grate "V" 47 kg.
- BEARING AREAS:** The frame and grate shall be so fitted and finished as to provide a firm and even seat. No projections shall exist on bearing areas of either casting and the grate shall seat in its frame without rocking.
- WALLS:** When used in place of concrete, brick side walls shall be 200 mm nominal thickness.
- PRECAST CONSTRUCTION:** Permitted, except for the apron. Concrete shall meet the requirements of CMS 706.13 with a minimum of 4% entrained air in the hardened concrete. Precast walls shall have a minimum thickness of 150 mm and reinforcing shall be sufficient to permit shipping and placement without damage.
- MINIMUM DEPTH:** The minimum depth shall be the outside diameter (O.D.) of the outlet pipe plus 360 mm.
- OPENINGS:** Pipe openings shall be the O.D. of the pipe being supplied plus 50 mm when fabricated or field cut. The interstitial space shall be filled with grout per CMS 601.
- DOWELS:** Four 25x460 mm dowels are required for concrete pavement or gutter blackout. See Std. Constr. Dwg. BP-2.2M for dowel details.
- BLOCKOUT:** Blockouts shall be paved with Class C concrete in PCC pavement or gutter and paid for as a part of the pavement or gutter quantities because of the castings. A Class C concrete apron the size of the 600 mm gutter shall be cast-in-place in asphalt pavement (no dowels required) with the cost included in the catch basin bid price. No deduction to be made in curb quantities.

All dimensions are in millimeters unless otherwise noted.



This Drawing Replaces CB-3A.

BUREAU OF LOCATION AND DESIGN
OHIO DEPARTMENT OF TRANSPORTATION

CATCH BASIN
No. 3A
DATE
7-12-95

STANDARD CONSTRUCTION DRAWING
CB-2.2M
APPROVED *W.K. Hulman*
ENGR., L & D