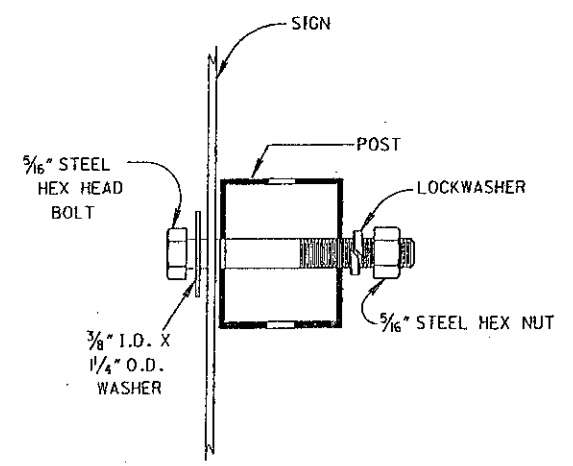
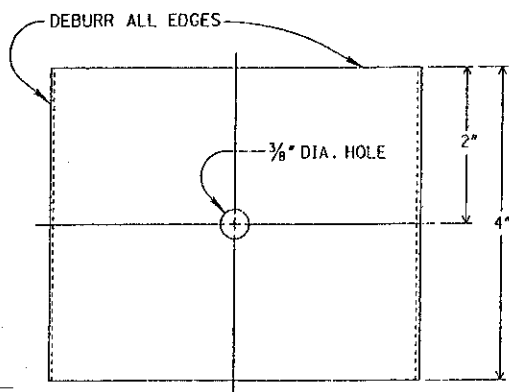
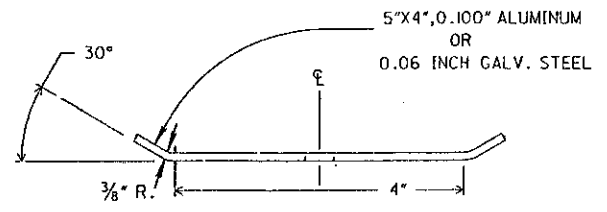
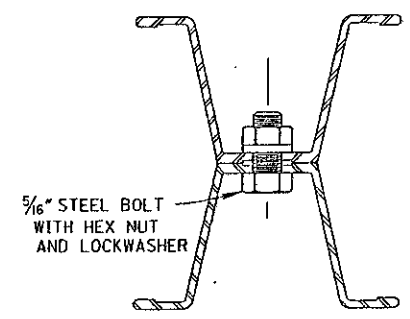


NOTES

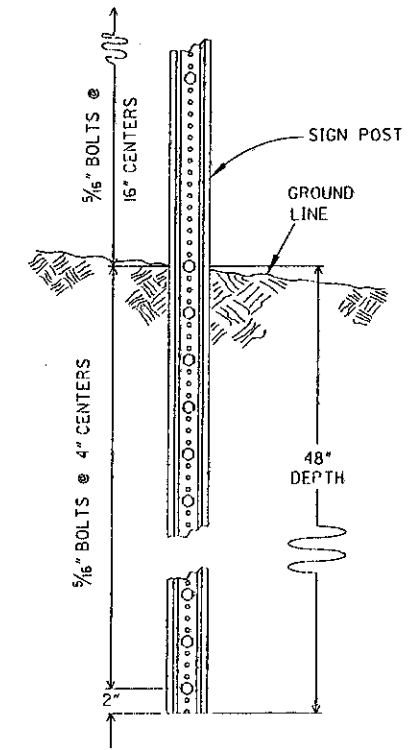
1. NUMBER 4 TYPE P AND F POST, AND NUMBER 6 TYPE P AND F POST, SHALL ONLY BE INSTALLED IN PROTECTED LOCATIONS (e.g. BEHIND GUARDRAIL). TWO POST INSTALLATIONS OF NUMBER 4 TYPE S POST SHALL BE INSTALLED IN PROTECTED LOCATIONS.
2. USE OF ANCHOR BASE WITH SQUARE POST IS OPTIONAL.
3. SQUARE POST MAY HAVE DIE-CUT KNOCKOUTS OR OPEN HOLES.

POST NO.	TYPE	LB/FT	POST DIMENSIONS (INCHES)			ANCHOR DIMENSIONS			NUMBER OF POSTS PERMITTED IN SEVEN FOOT PATH IN EXPOSED LOCATIONS
			A	B	C	A	B	C	
1	F	1.12	0.875	2.063	0.813				2
	P	2.00	1.469	3.063	1.281				
2	F	2.00	1.516	3.125	1.250				2
	S		2.000	2.000	0.083	2.250	2.250	0.105	
3	P	3.00	1.875	3.500	1.313				2
	F	3.00	1.750	3.500	1.625				
4	S		2.000	2.000	0.083	2.250	2.250	0.105	2
	P	4.00	TWO NO.2 POST						
5	F	4.00	TWO NO.2 POST						0
	S		2.500	2.500	0.105	3.000	3.000	0.188	
6	P	6.00	TWO NO.3 POST						0
	F	6.00	TWO NO.3 POST						

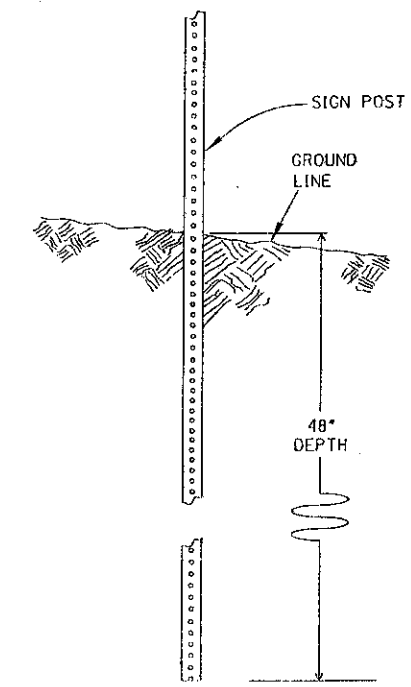
U - CHANNEL SIGN ATTACHMENT DETAIL



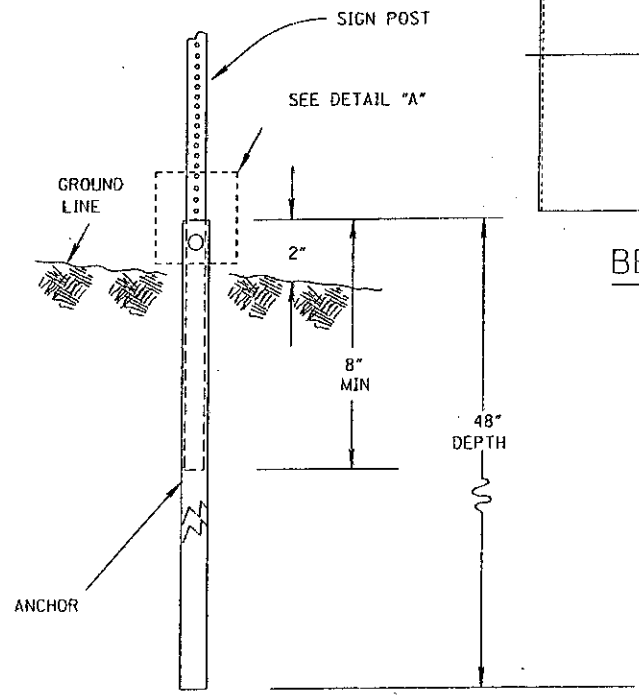
SQUARE POST SIGN ATTACHMENT DETAIL



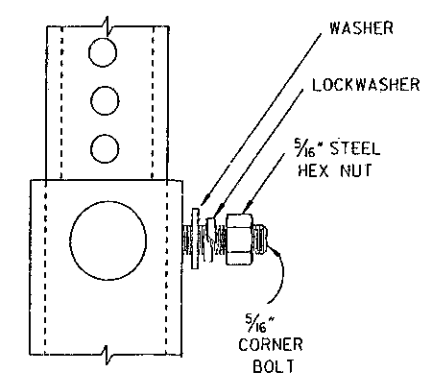
TYPICAL U - CHANNEL DRIVEN INSTALLATION



TYPICAL SQUARE POST DRIVEN INSTALLATION



TYPICAL SQUARE POST ANCHOR BASE INSTALLATION



DETAIL "A"

BUREAU OF DESIGN SERVICES DIVISION OF HIGHWAYS OHIO DEPARTMENT OF TRANSPORTATION	
TRAFFIC CONTROL	DATE 04/01/77 03/26/79 06/21/94
YIELDING POST	
STANDARD CONSTRUCTION DRAWING APPROVED: <i>[Signature]</i> ENGR. OF DESIGN SERVICES	TC-41.20