

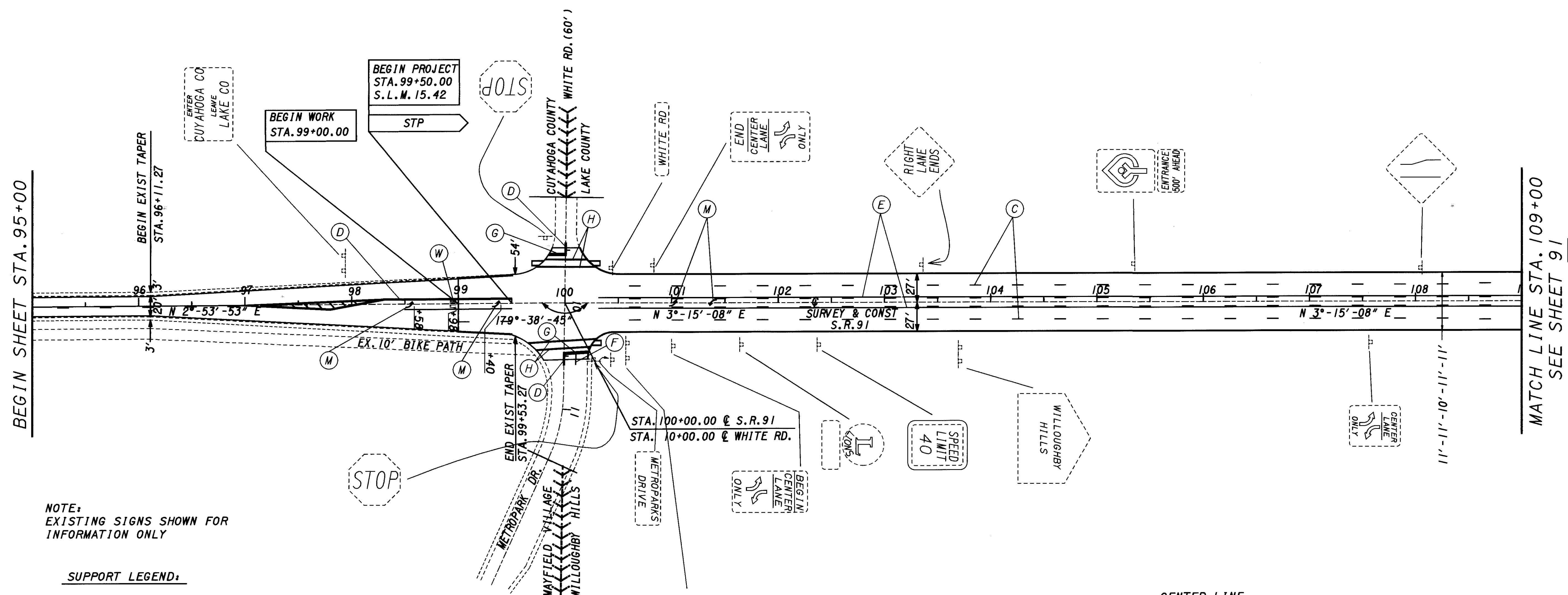
CALCULATED BJK
 CHECKED DRL

TRAFFIC CONTROL PLAN SHEET
 S.R. 91
 STA. 95+00 TO STA. 109+00

CUYAHOGA COUNTY
 LAKE COUNTY
 CUY/LAK-91-15.42/0.00

PAVEMENT MARKING LEGEND:

- (A) - EDGE LINE (WHITE)
- (B) - EDGE LINE (YELLOW)
- (C) - LANE LINE
- (D) - CENTER LINE, DOUBLE/SOLID
- (E) - CENTER LINE, BROKEN/SOLID
- (F) - CHANNELIZING LINE
- (G) - STOP LINE
- (H) - CROSSWALK LINE
- (I) - TRANSVERSE LINE (WHITE), 12' c/c
- (J) - TRANSVERSE LINE (YELLOW)
- (L) - ISLAND MARKING
- (M) - LANE ARROW
- (W) - WORD "ONLY" ON PAVEMENT



NOTE:
 EXISTING SIGNS SHOWN FOR
 INFORMATION ONLY

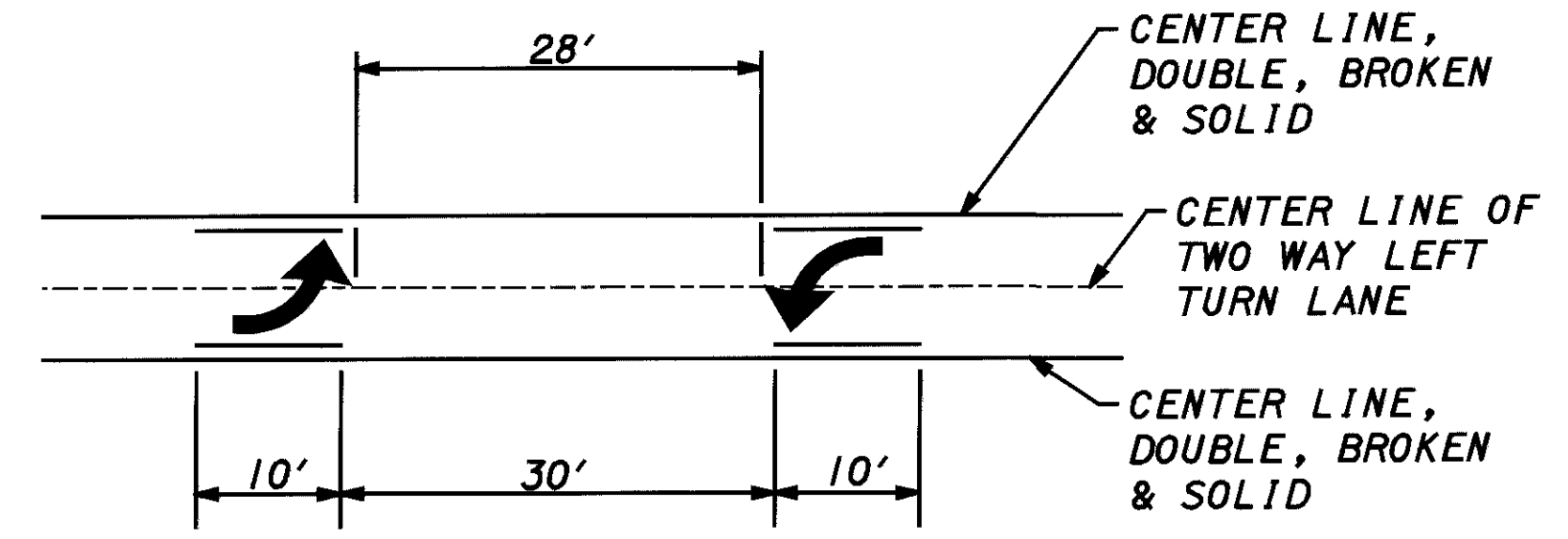
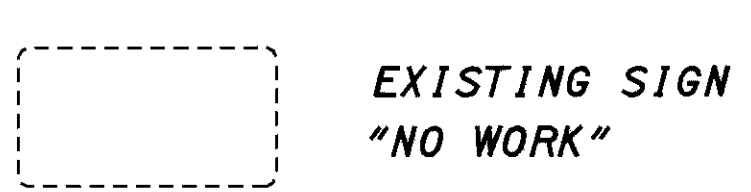
SUPPORT LEGEND:

- EXISTING
- SINGLE
 - DOUBLE
 - SINGLE, BACK TO BACK
 - DOUBLE, BACK TO BACK
 - STOP, ONE WAY, DO NOT ENTER
 - BANDED TO POLE
 - CANT. OVERHEAD

SIGNAL LEGEND:



SIGN LEGEND:



LAYOUT DETAIL FOR TWO WAY
 LEFT TURN LANE

CROSS REFERENCES	SHEET
PAVT. MARKING LEGEND	90
SIGN LEGEND	90
PLAN & PROFILE SHEET	26-27
CROSS SECTIONS	47-48
PAVT. MARKING QUANT.	87-89