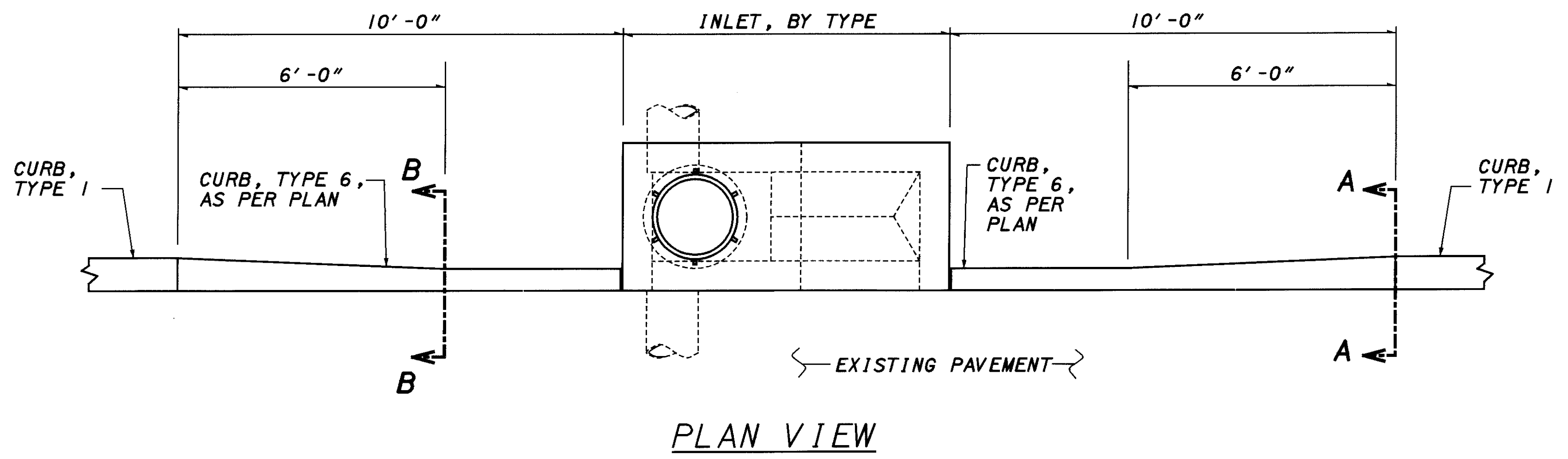


PLOT SUBMITTED: 09-OCT-1998 11:48

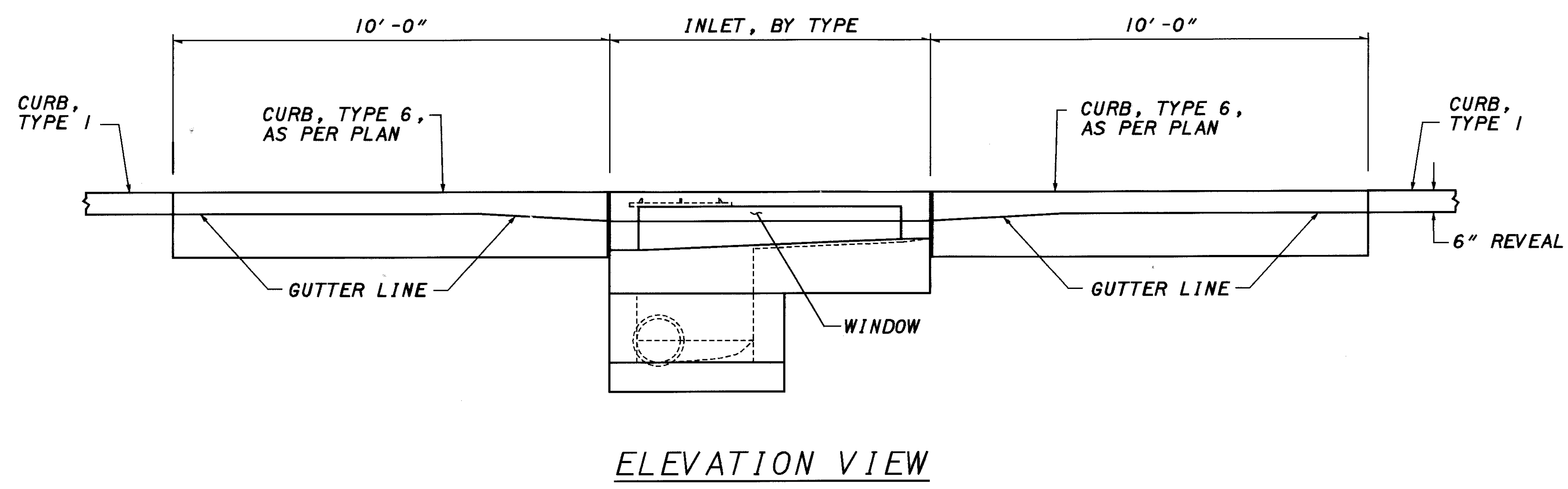
09864GAD.DGN

PLOTTED BY: fkonopka
PLOTTED FROM: \\user\svkruse\p\09864\09864gad.dgn

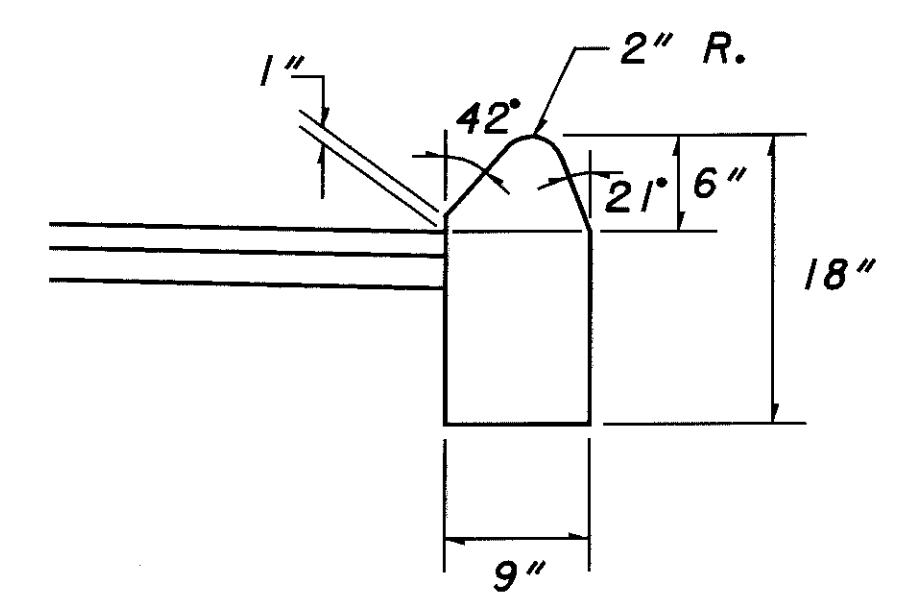
CURB DETAIL AT INLET



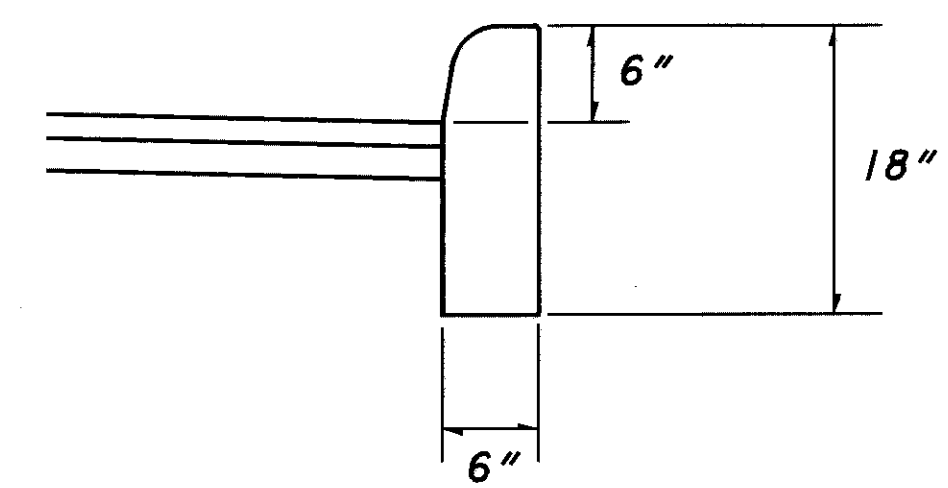
PLAN VIEW



ELEVATION VIEW



SECTION A-A



SECTION B-B

CALCULATED	EMK	CHECKED	ENF

DRAINAGE DETAILS

CUYAHOGA COUNTY
LAKE COUNTY
CUY/LAK-91-15.42/0.00