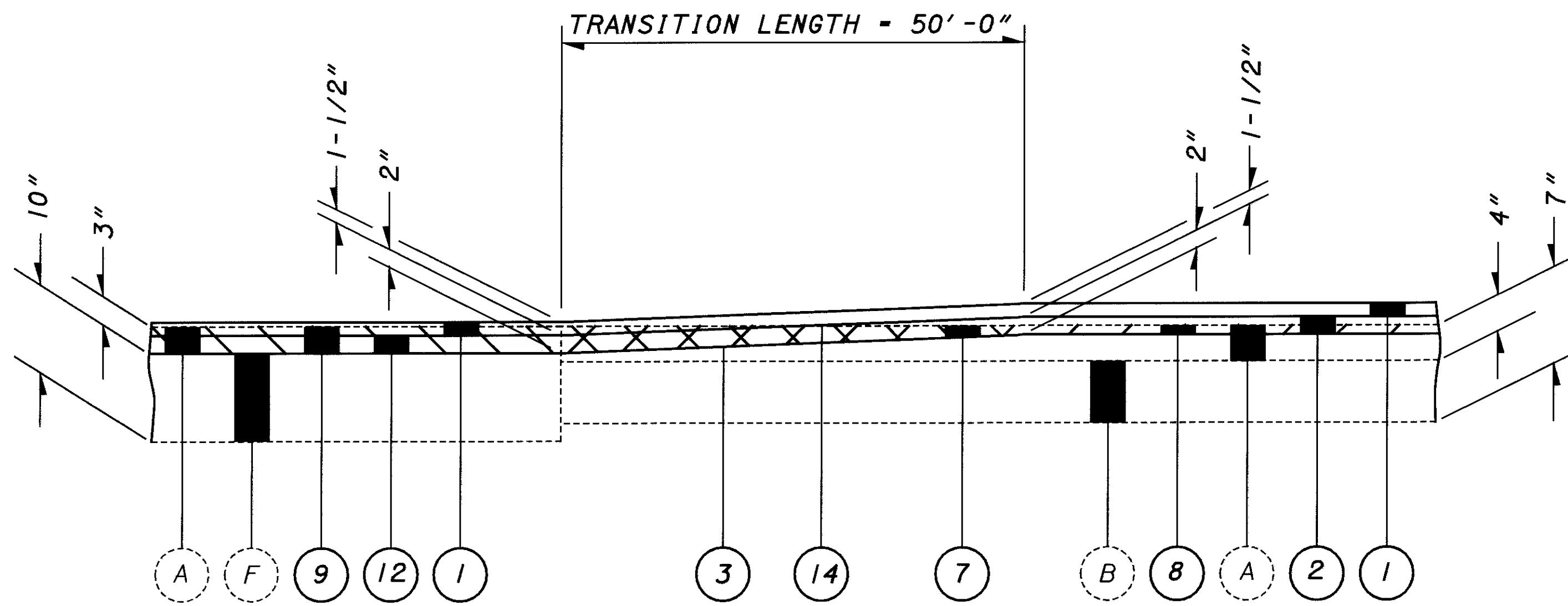


PLOT SUBMITTED: 09-OCT-1998 11:45

09864GAC.DGN

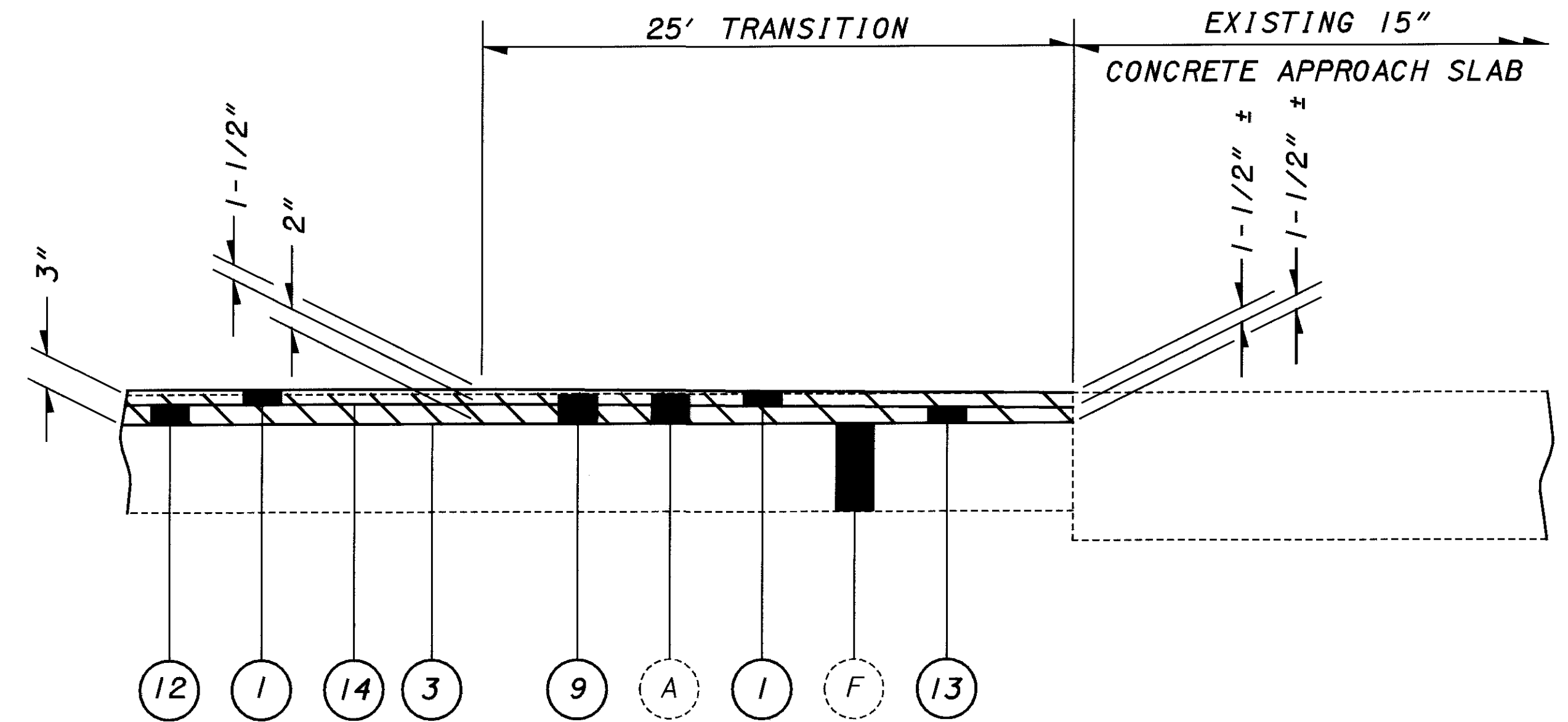
PLOTTED BY: f.konopka
PLOTTED FROM: i:\users\bktruse\pld\09864\09864gac.dgn



MAINLINE PAVEMENT TRANSITION AT CONCRETE BASE

STA. 202+34.70 TO STA. 202+84.70

STA. 225+74.62 TO STA. 226+24.62

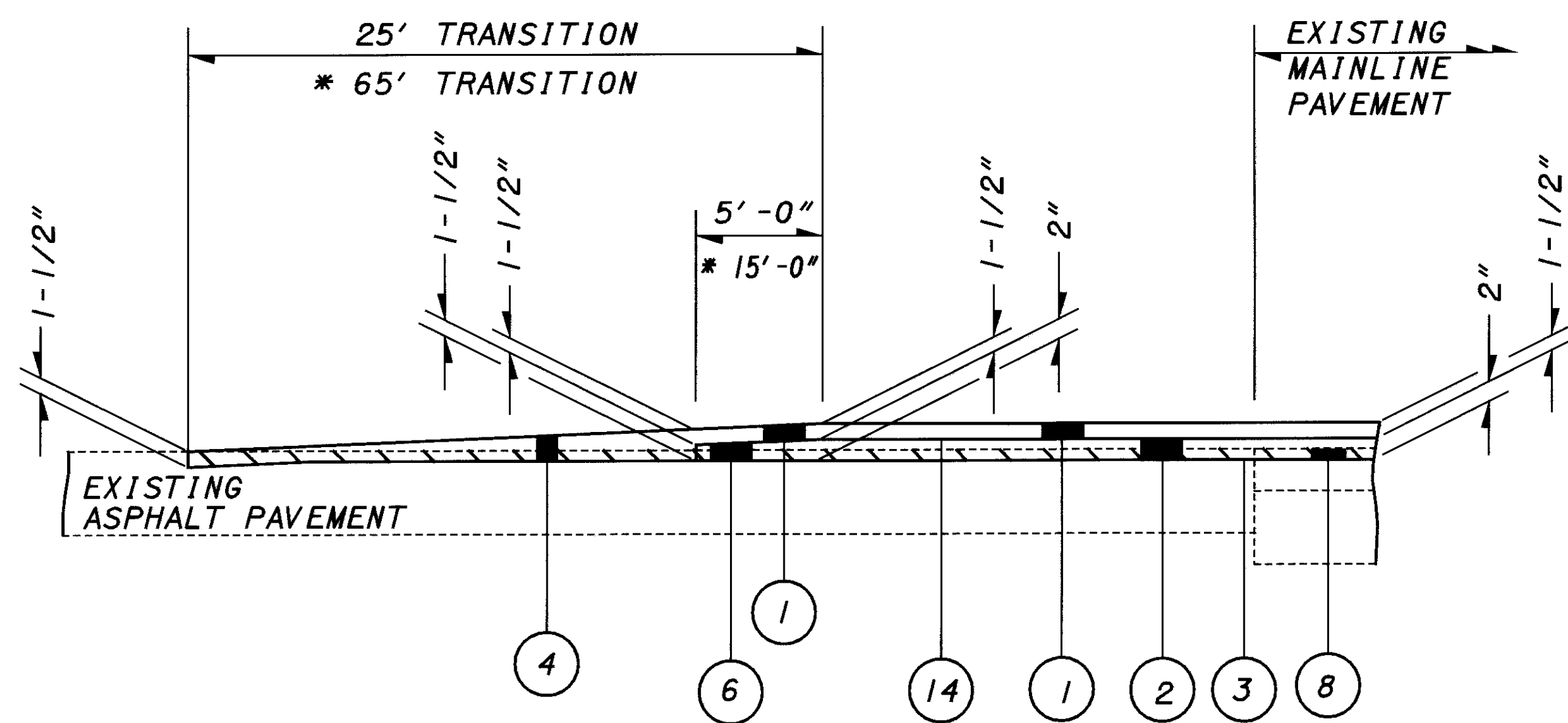


MAINLINE PAVEMENT TRANSITION AT APPROACH SLABS

STA. 212+02.53 TO STA. 212+27.53

STA. 219+08.09 TO STA. 219+33.09

SEE SHEET 78
FOR LEGEND.

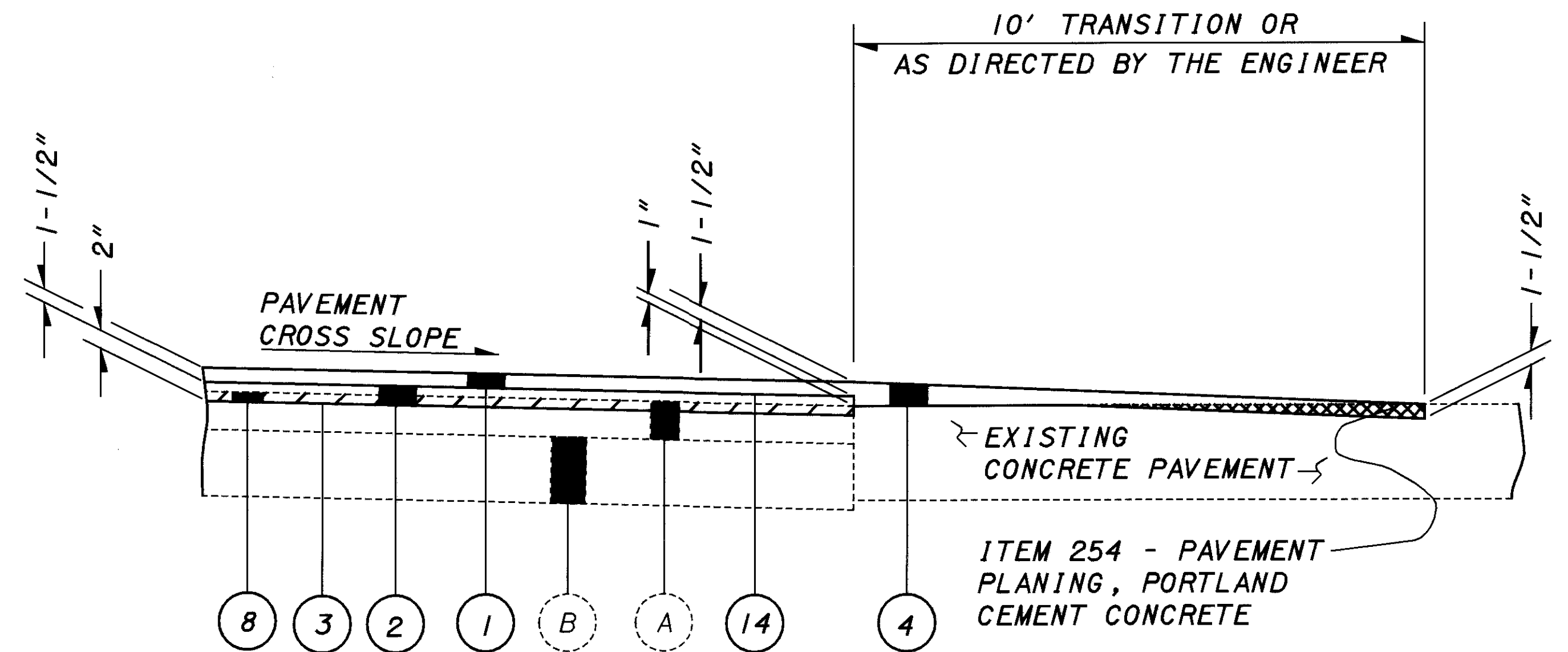


PAVEMENT TRANSITION AT ASPHALT SIDESTREETS

METROPARK DR.
WHITE RD.
PARKVIEW DR.
STRAWBERRY TR.

MARTIN RD.
DIXON RD.
TIMBERLINE DR.
TURTLE TR.

* CHARDON RD.
* EDDY RD.
* MAPLEGROVE RD.
* RIDGE RD.



PAVEMENT TRANSITION AT CONCRETE SIDESTREETS

ROSEWOOD TR.
GLEN KYLE LN.
HALLE DR.
ASPENWOOD LN.

COLONIAL DR.
KAISER CT.
OAKTREE DR.

ITEM 254 - PAVEMENT
PLANING, PORTLAND
CEMENT CONCRETE

CALCULATED
EMK
CHECKED
ENF

PAVEMENT TRANSITION
DETAILS

CUYAHOGA COUNTY
LAKE COUNTY
CUY/LAK-91-15.42/0.00