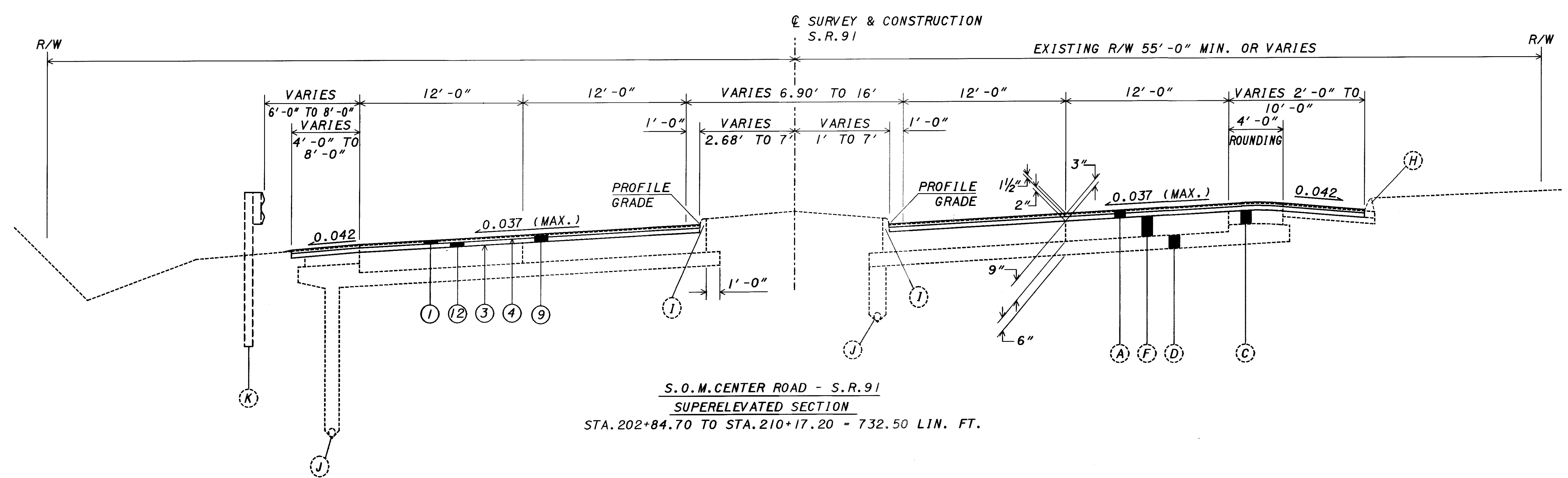
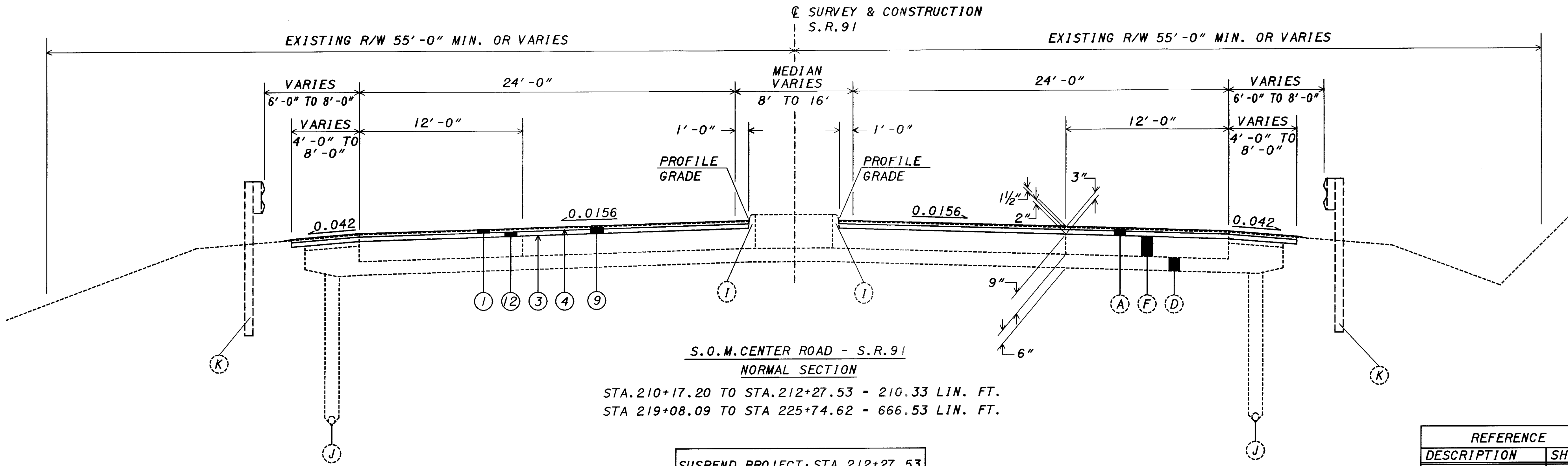


PLOTTED BY: fkonopka
 PLOTTED FROM: \\users\bkruse\pid\9864\09864que.dgn
 09864que.dgn
 PLOT SUBMITTED: 09-OCT-1998 08:18



S.O.M. CENTER ROAD - S.R. 91
SUPERELEVATED SECTION
 STA. 202+84.70 TO STA. 210+17.20 = 732.50 LIN. FT.



S.O.M. CENTER ROAD - S.R. 91
NORMAL SECTION
 STA. 210+17.20 TO STA. 212+27.53 = 210.33 LIN. FT.
 STA. 219+08.09 TO STA. 225+74.62 = 666.53 LIN. FT.

SUSPEND PROJECT: STA. 212+27.53

RESUME PROJECT: STA. 219+08.09

REFERENCE	
DESCRIPTION	SHEET
LEGEND	3
CURB DETAIL	3



CALCULATED BY: BJK
 CHECKED BY: DRL

TYPICAL SECTIONS
S.R. 91
 STA. 202+84.70 TO STA. 225+74.62

CUYAHOGA COUNTY
 LAKE COUNTY
 CUY/LAK-91-15.42/0.00