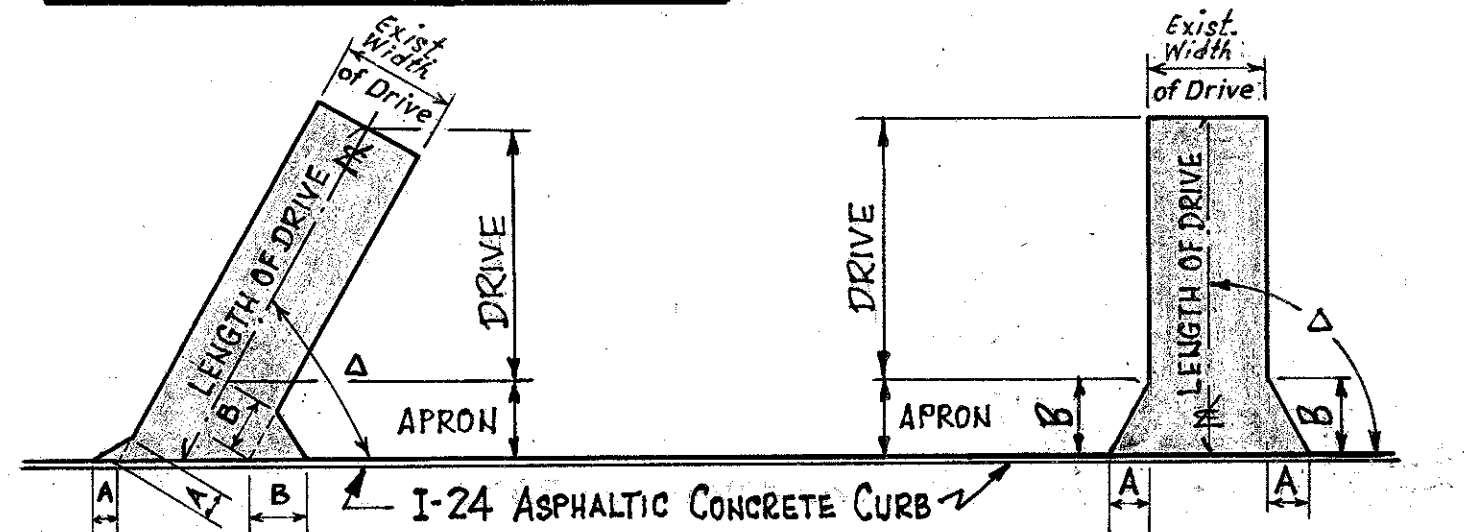


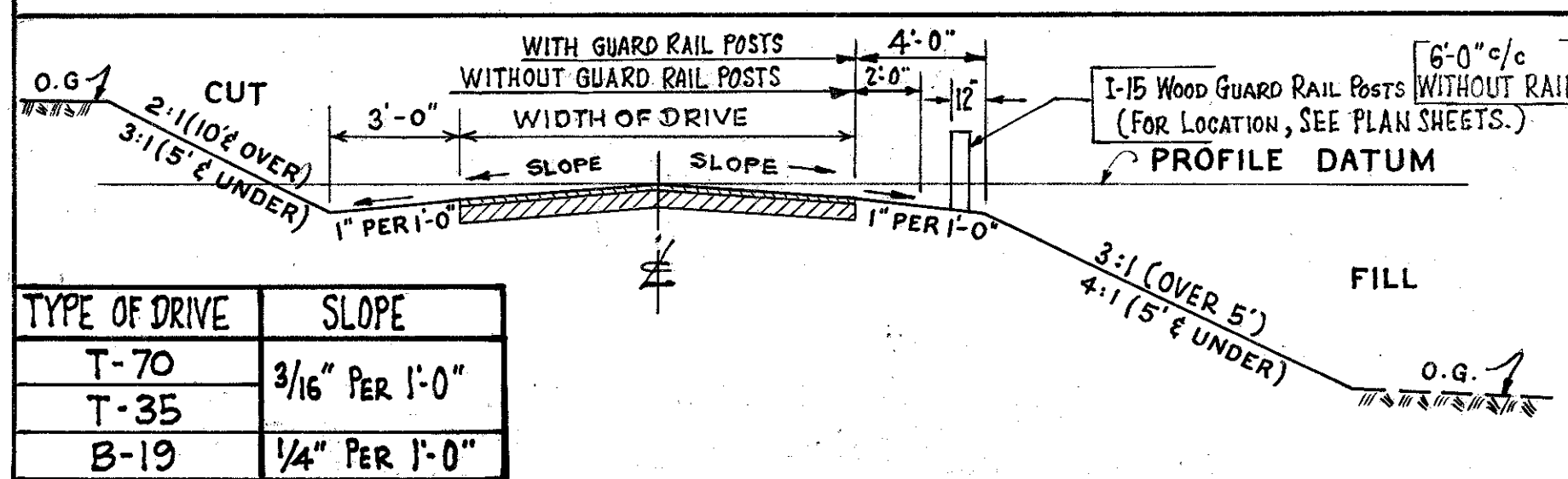
SKEWED DRIVE DIMENSIONS		
Δ	A	B
65° to 75°	4' *	12' *
75° to 85°	4' *	10' *
85° to 90°	4' *	8' *

* UNLESS OTHERWISE SHOWN ON SUMMARY OF DRIVE QUANTITIES SHEET NO. 49, 50 & 51 AND PLAN & PROFILE SHEETS.



SKEWED DRIVE **NORMAL DRIVE**
TYPICAL DRIVEWAY DETAILS

SCALE: 1" = 20'

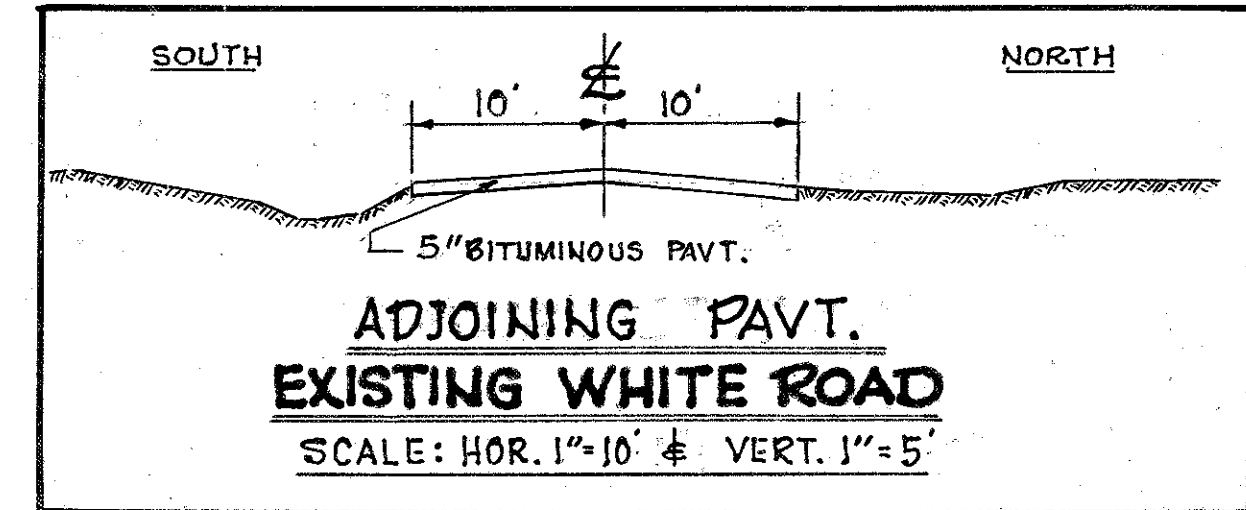
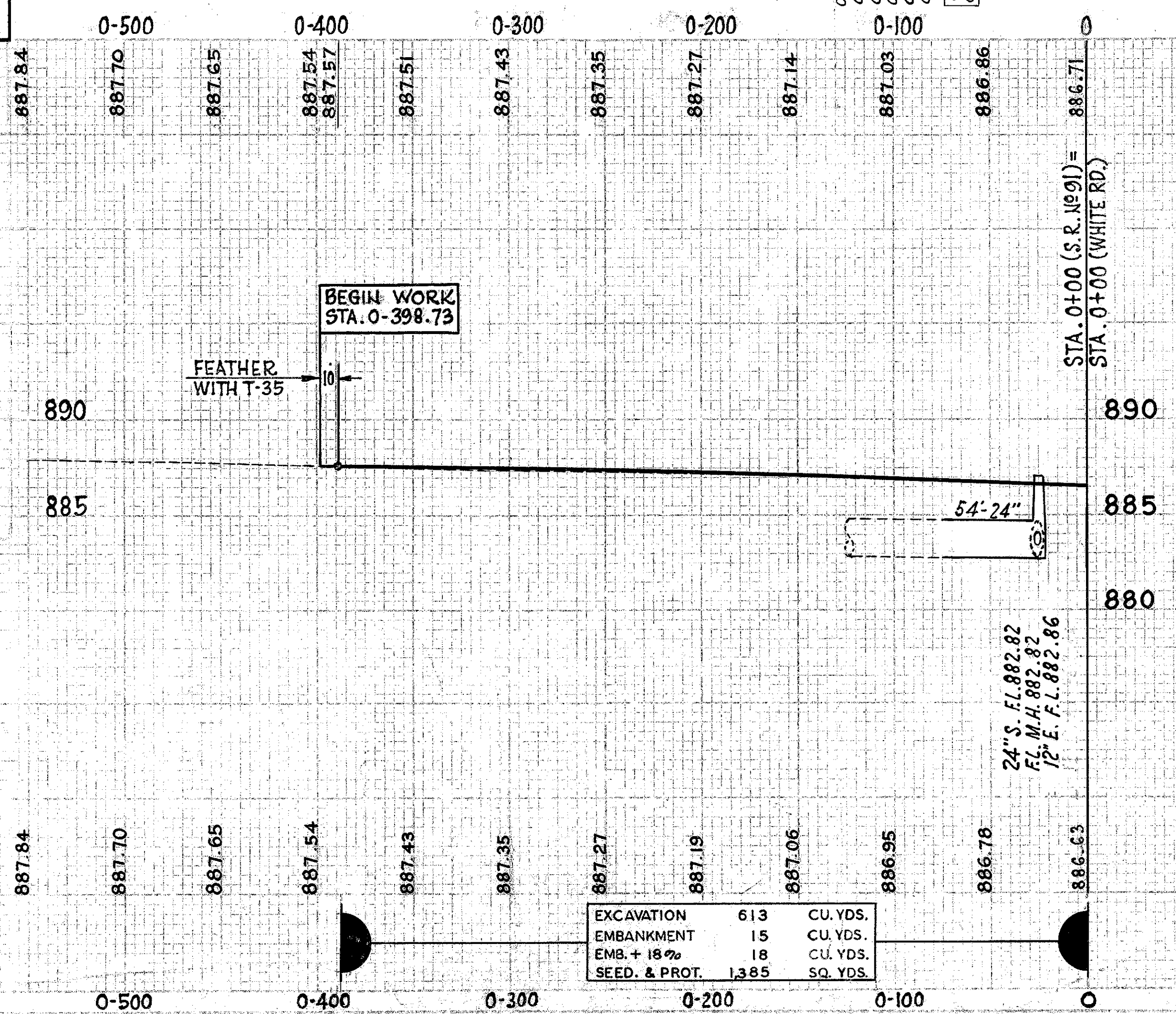
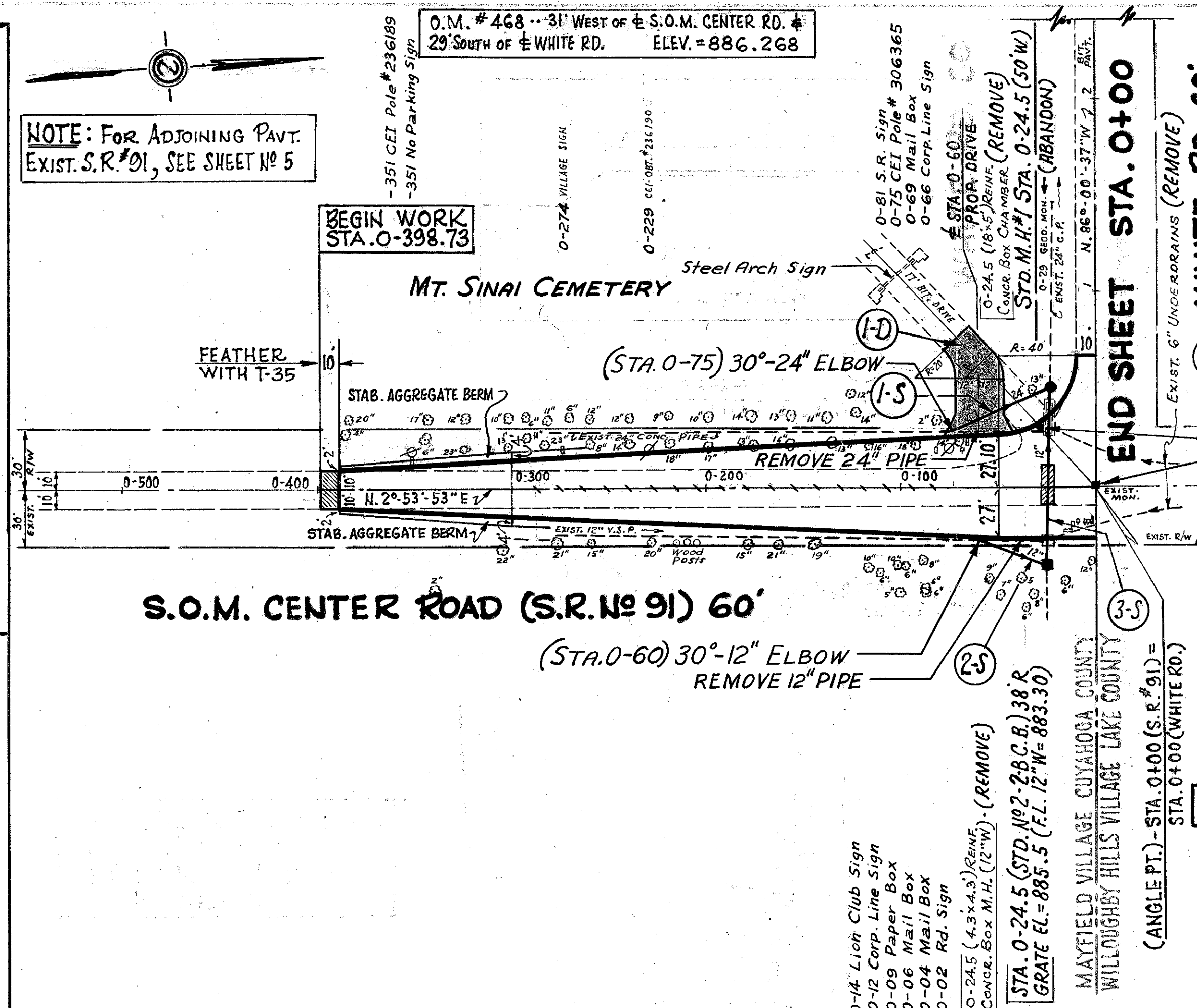


TYPE OF DRIVE	SLOPE
T-70	3/16" PER 1'-0"
T-35	3/16" PER 1'-0"
B-19	1/4" PER 1'-0"

TYPICAL SECTION-DRIVE

SCALE:
HOR: 1" = 5'-0", VERT: 1" = 5'-0"

NOTE: FOR ADJOINING PAVT. EXIST. S.R. #91, SEE SHEET NO 5



REF. NO.	STATION	STORM SEWERS										
		CLASS J-1 PIPE	CLASS B-1 PIPE	CLASS B-1 PIPE SPECIALS	STD. NO. 2-28	STD. NO. 1	PIPE REMOVAL	REMOVAL OF EXIST. STRUCTURES	REMOVAL OF EXIST. PAVEMENT	9" CONCRETE BASE COURSE	2 1/2" ASPHALTIC CONCRETE LEVELING COURSE	
FROM	TO	12" 24" ELBOWS EACH	12" 24" C.B.	1	1	15" OVER UNDER 15"	12" 24" LUMP SUM	SQ. YDS.	SQ. YDS.	CU. YDS.		
1-S	0-75	0-24		54		1		46				
2-S	0-60	0-24		38			34					
3-S	0-24		88			1	1			13	13	0.9
TOTAL	MAYFIELD VILLAGE		88	38 54	1 1 1 1	34 46	LUMP SUM	13	13	0.9		

TRAFFIC DIVIDERS		
Station	ITEM I-23	PRECAST WHITE PORTLAND CEMENT TRAFFIC DIVIDERS
FROM	TO	EACH
0-288	0-84	18
TOTAL	MAYFIELD VILLAGE	18

MONUMENTS				
Ref. No.	Station	Loc.	ITEM I-8	SPECIAL *
			MONUMENT ADJUST TO GRADE	REGIONAL GEODETIC MONUMENT ABANDON
			EACH	EACH
1-M	0+00	±	1	
2-M	0-29	L		1
TOTAL	MAYFIELD VILLAGE		1	1

* SEE NOTE ON SHEET NO 9 FOR WORK INCLUDED IN THIS ITEM.