

TYPICAL SECTIONS

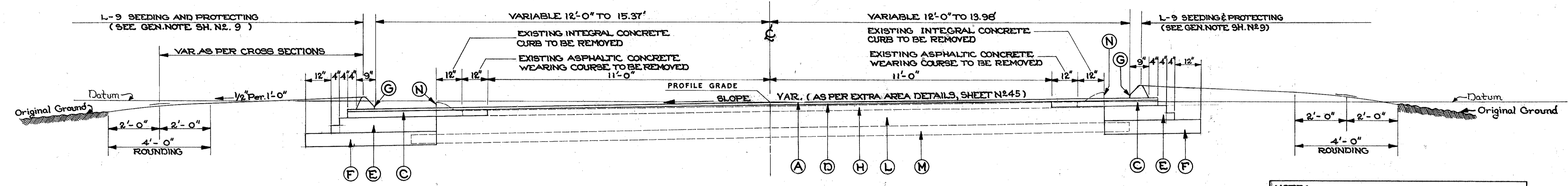
ASPHALTIC CONCRETE PAV'T

T-35

SCALE: 1/2" = 1'-0"

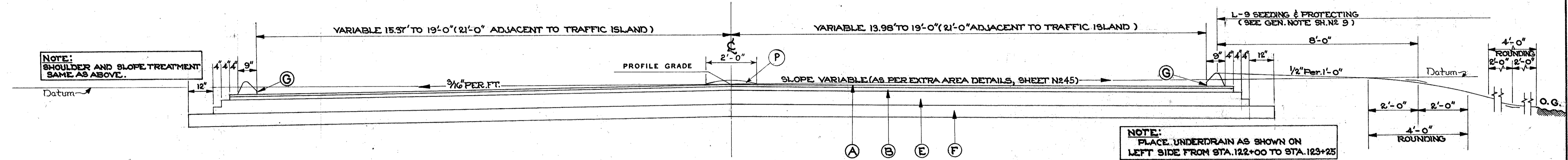
FED. RD. DIVISION	STATE	PROJECT	8 146
2	OHIO		

LAKE COUNTY
LAH. 91-(0.00)-(2.98)



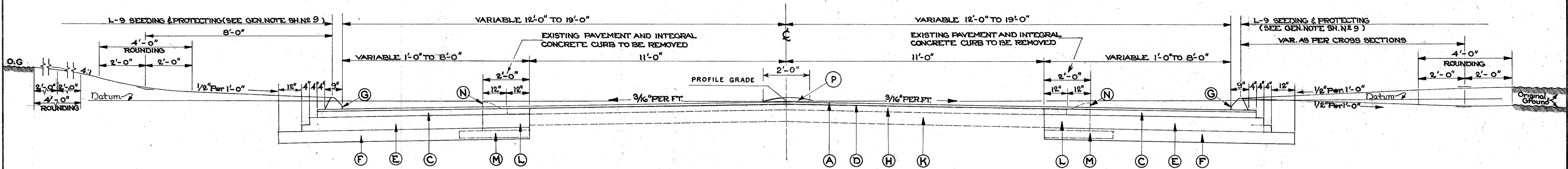
S.R. 84
STA. 116+66.30 to STA. 117+50

NOTE:
CROSS SECTIONS SHALL GOVERN OVER
TYPICAL SECTIONS WHERE VARIABLE CONDITIONS
ARE ENCOUNTERED IN SLOPES.



S.R. 84
STA. 117+50 to STA. 123+25
(EXCLUDING INTERSECTION LIMITS AS SHOWN ON EXTRA AREA DETAILS, SHT. N^o 45)

NOTE:
PLACE UNDERDRAIN AS SHOWN ON
LEFT SIDE FROM STA. 122+00 TO STA. 123+25



S.R. 84
STA. 123+25 to STA. 125+05

LEGEND	LEGEND
* (A) T-35 1" ASPHALTIC CONCRETE SURFACE COURSE, TYPE C (70-85)	(G) I-24 TYPE I ASPHALTIC CONCRETE CURB (70-85)
* (B) B-35 1 1/2" ASPHALTIC CONCRETE LEVELING COURSE, (70-85)	(H) EXISTING 3" ASPHALTIC CONCRETE WEARING COURSE
* (C) B-35 3" (MIN.) ASPHALTIC CONCRETE LEVELING COURSE (70-85)	(K) EXISTING 6" CONCRETE BASE COURSE
(D) T-30 BITUMINOUS TACK COAT (0.10 GAL. PER SQ. YD.) SEC. M5.5, MS-2 or RS-1, or SEC. M5.2, RC-1 or RC-2, AS PER SEC. T-30.02	(L) EXISTING 8" CONCRETE BASE COURSE
* (E) B-21 7" WATERPROOFED AGGREGATE BASE COURSE (2-3 1/2" COURSES)	(M) EXISTING 4" SUBBASE
(F) I-22 6" SUBBASE	(N) EXISTING CONCRETE CURB
	(P) I-23 PRECAST WHITE PORTLAND CEMENT CONCRETE TRAFFIC DIVIDERS

* THICKNESSES SHOWN ARE DESIGNED THICKNESSES,
AS DESCRIBED IN SECTION T-35.01, B-35.01 AND B-21.01