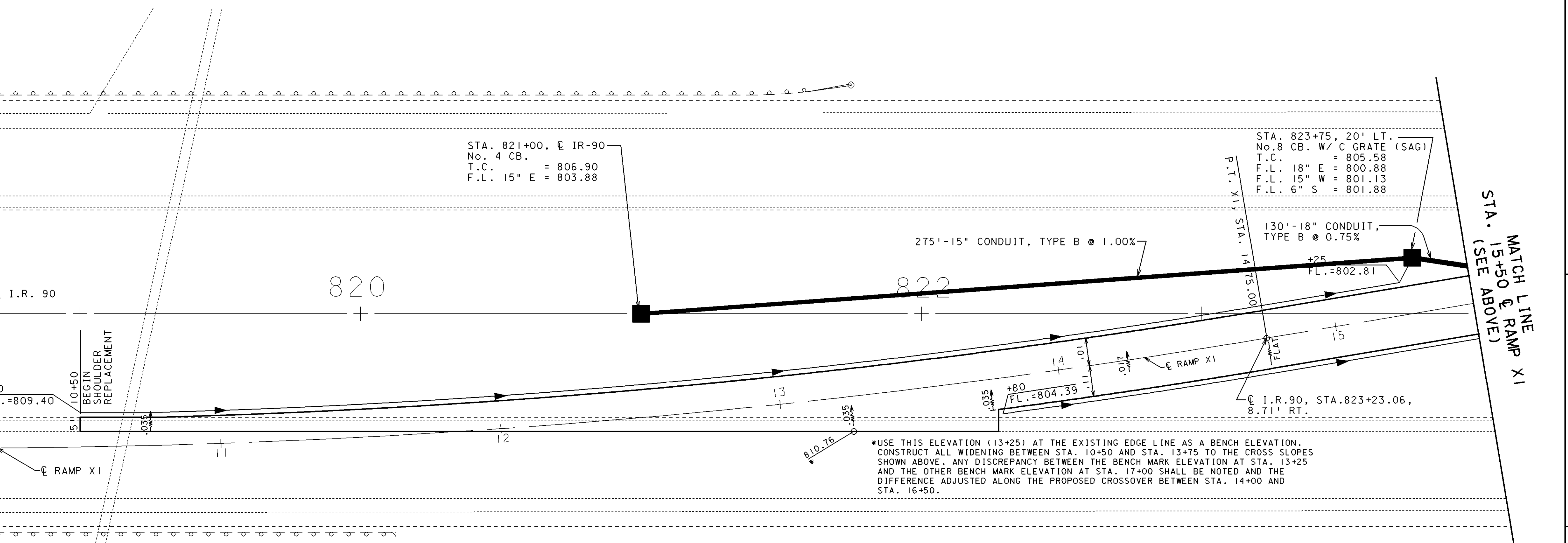
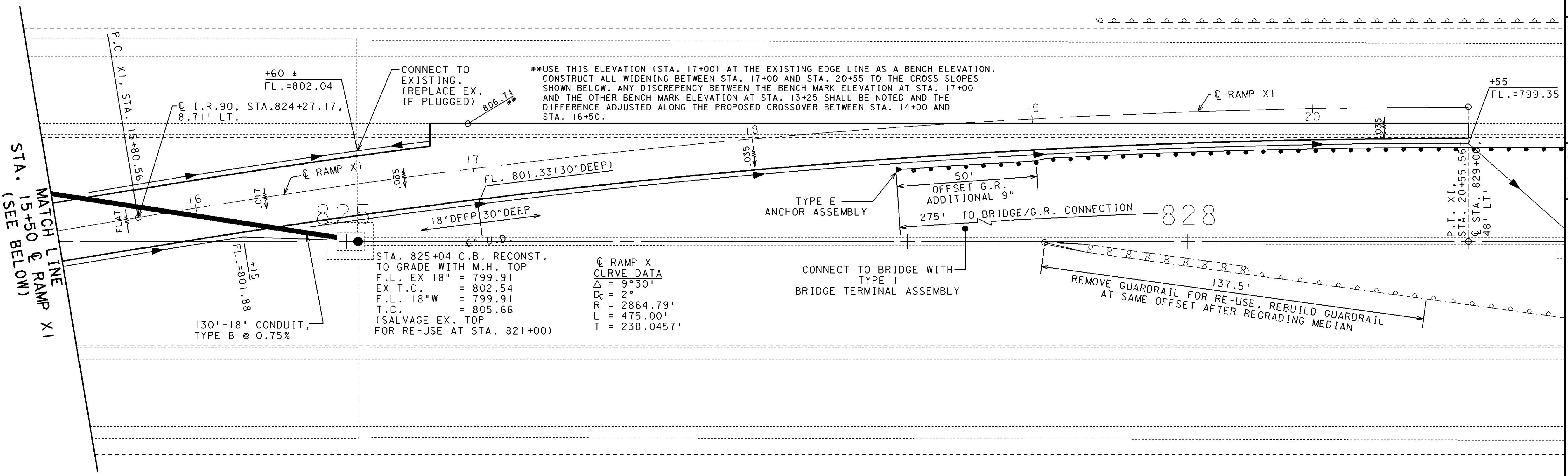


CALCULATED
CHECKED

IR-90 / CROSSOVER RAMP X1

LAKE COUNTY
LAK-90-23.42



MATCH LINE
STA. 15+50
RAMP X1
(SEE BELOW)

MATCH LINE
STA. 15+50
RAMP X1
(SEE ABOVE)