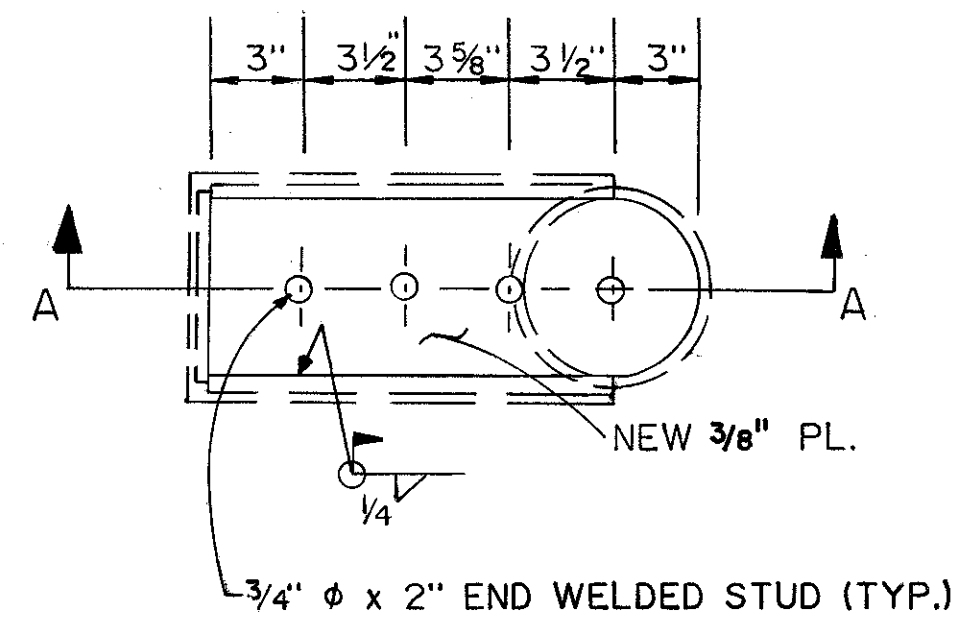
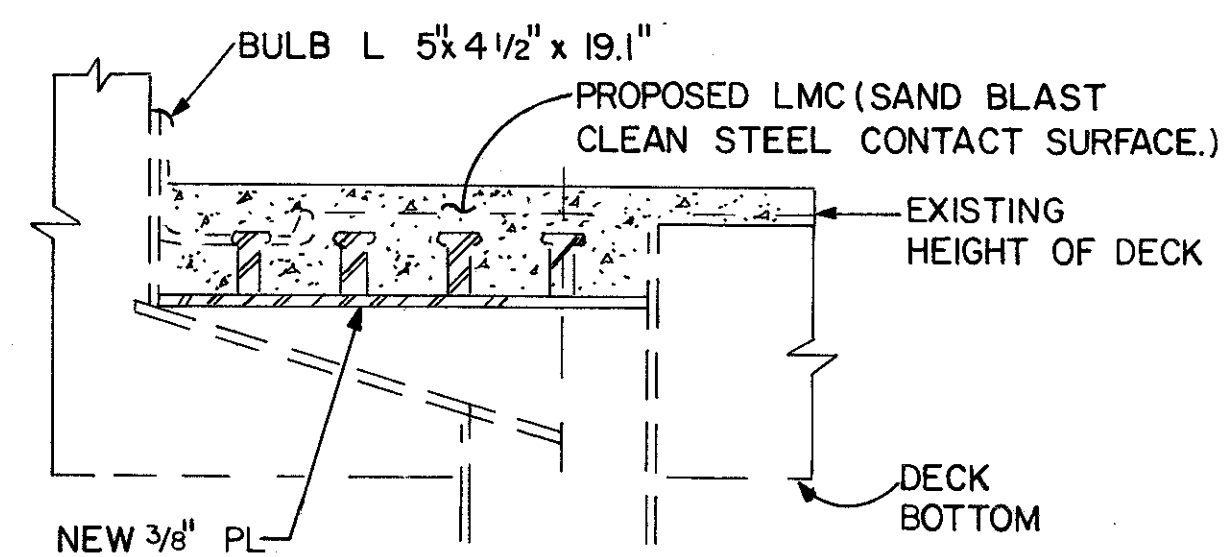


EXISTING PLAN



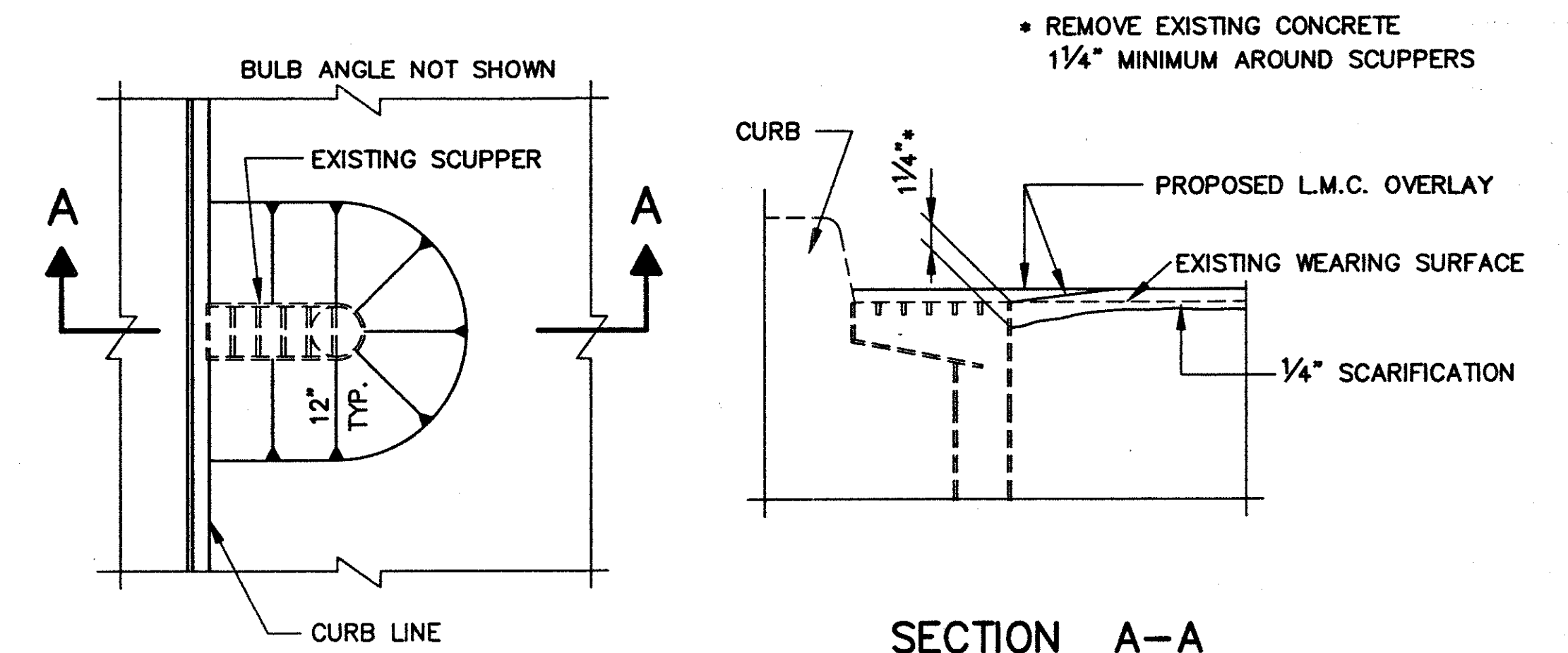
MODIFIED PLAN



SECTION A-A

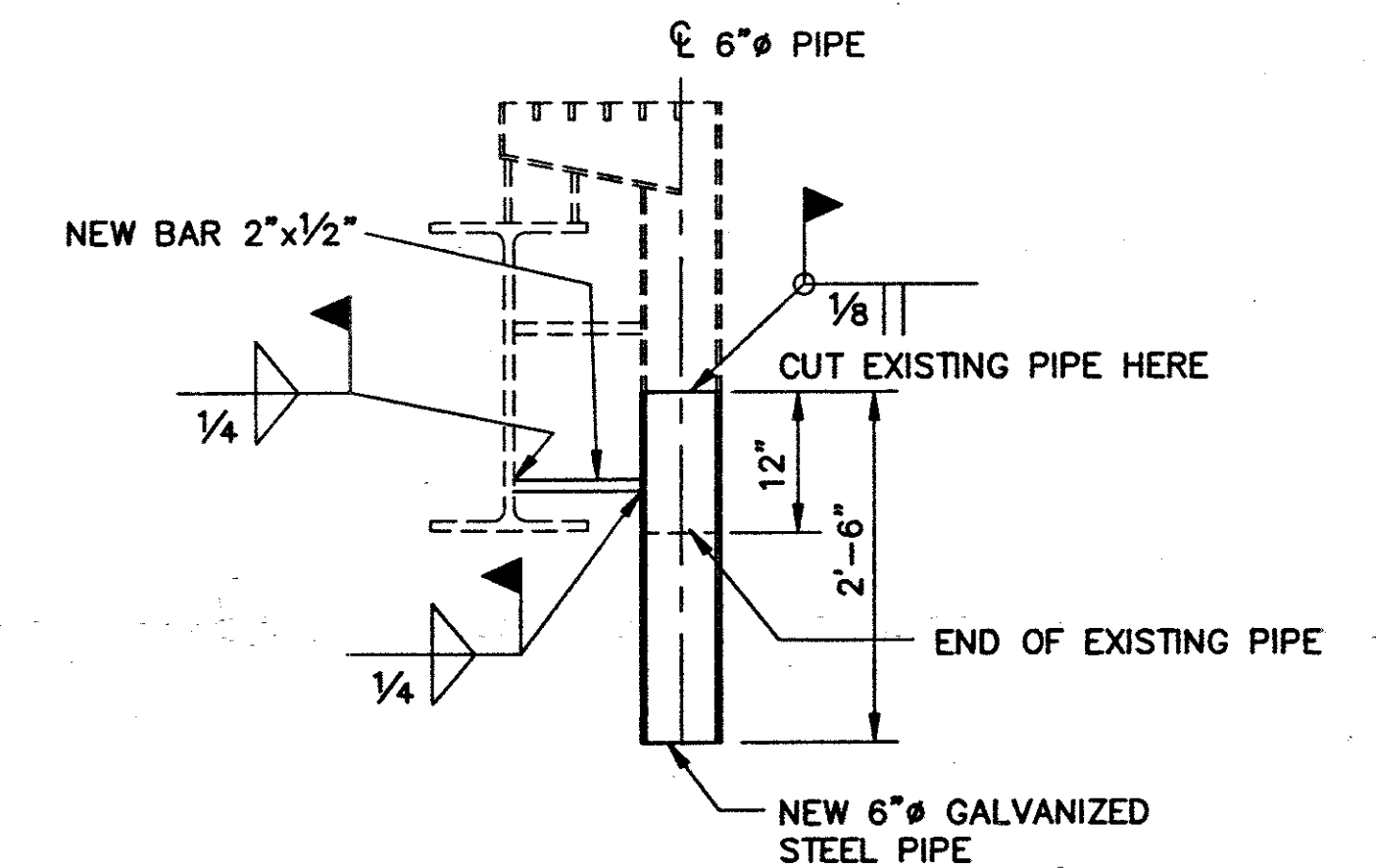
NOTE: INSTALLATION OF PLATES AND STUDS SHALL BE DONE IN ACCORDANCE WITH SECTION 513 OF THE SPECIFICATIONS.

ITEM SPECIAL - SCUPPER PLUGGING



PLAN VIEW

TYPICAL OVERLAY DETAIL AT SCUPPERS WITHOUT RAISINGS



SCUPPER EXTENSION DETAIL

LAK-90-1641L & R (AS SHOWN ON SHEET 21)
LAK-90-2003L & R (AS SHOWN ON SHEET 25)

NOTATION: L.M.C.-LATEX MODIFIED CONCRETE,
TYP.-TYPICAL

CT COLPETZER-THOMAS, INC. AN ENGINEERING GROUP		WILLOUGHBY • MENTOR • NORTH CANTON • STEUBENVILLE • LORAIN		36 / 37	
SCUPPER DETAILS					
DESIGNED	DRAWN	TRACED	CHECKED	REVIEWED DATE	REVISED
J.E.A.	J.L.J. R.L.B.	H.P.	R.J.C.	B.J.A. 11/2/87	