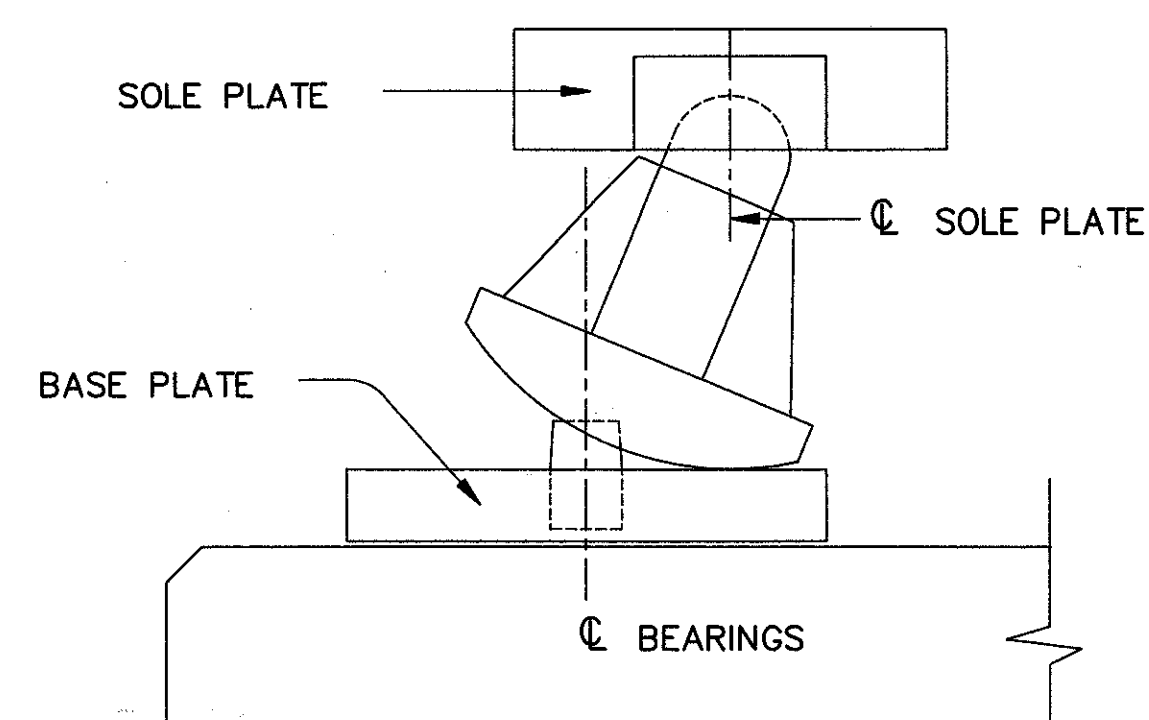
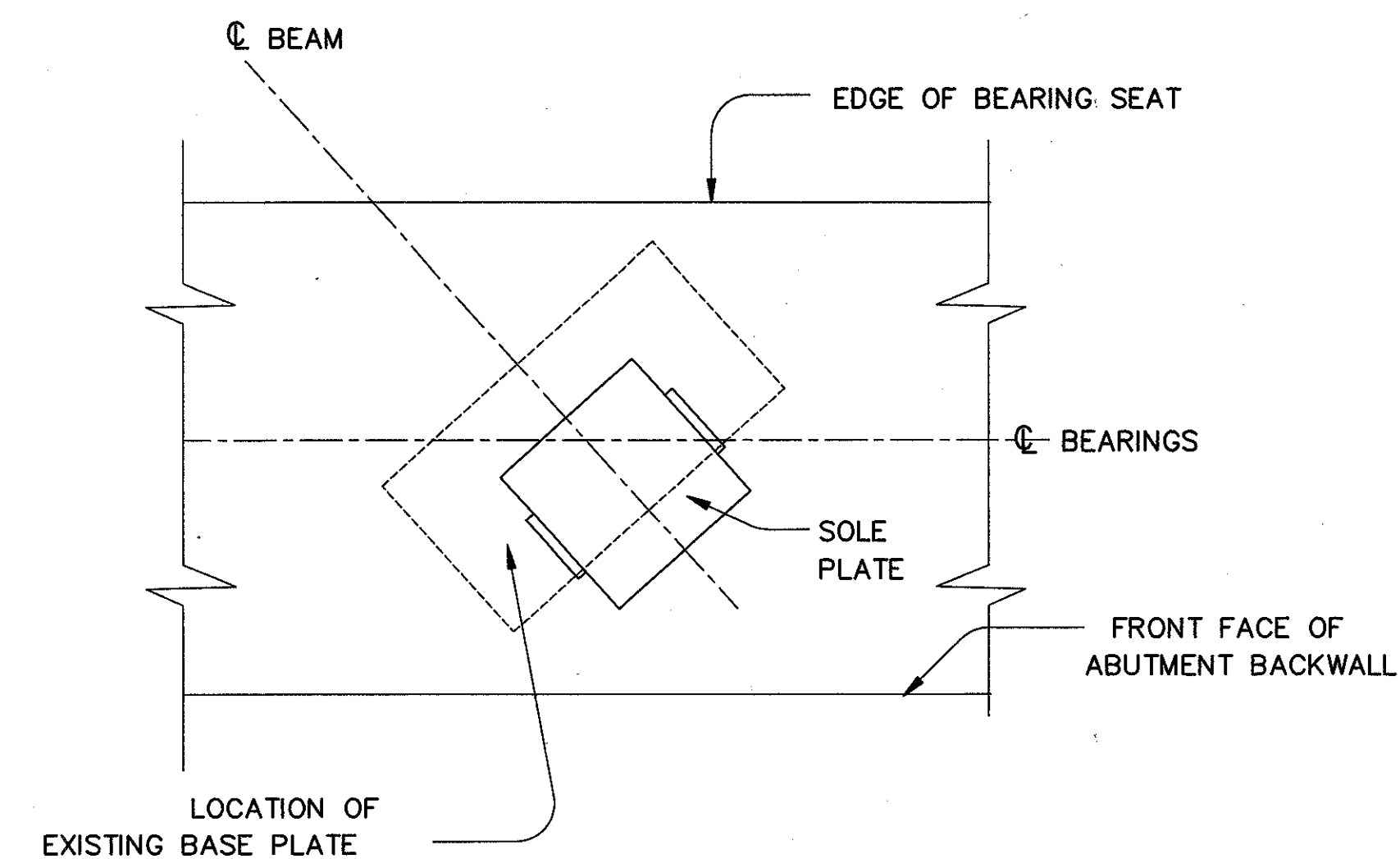


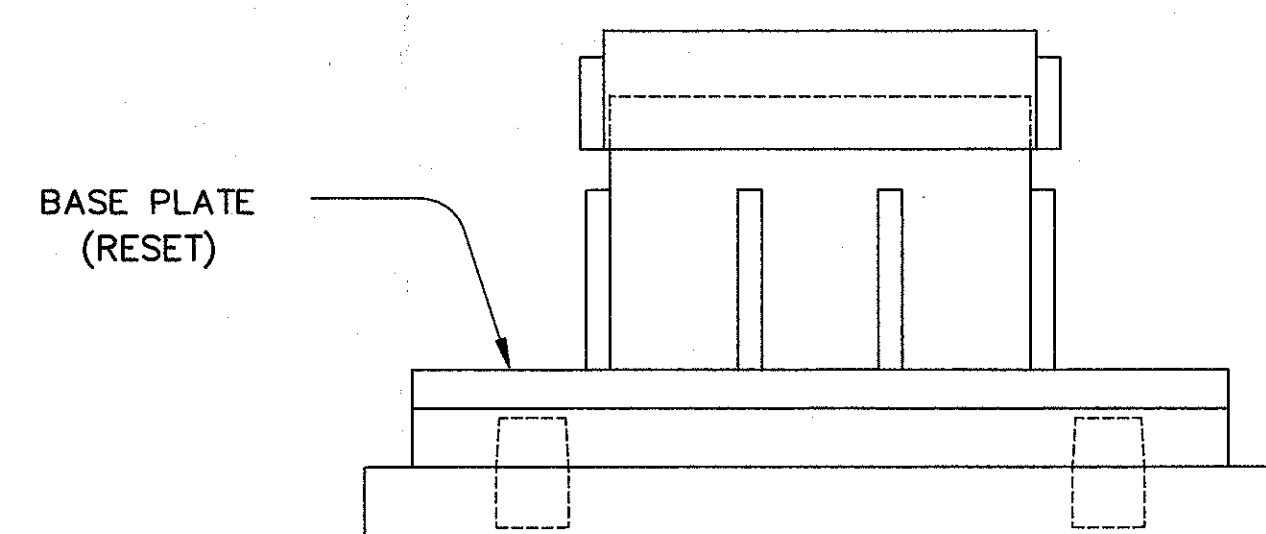
EXISTING FRONT ELEVATION



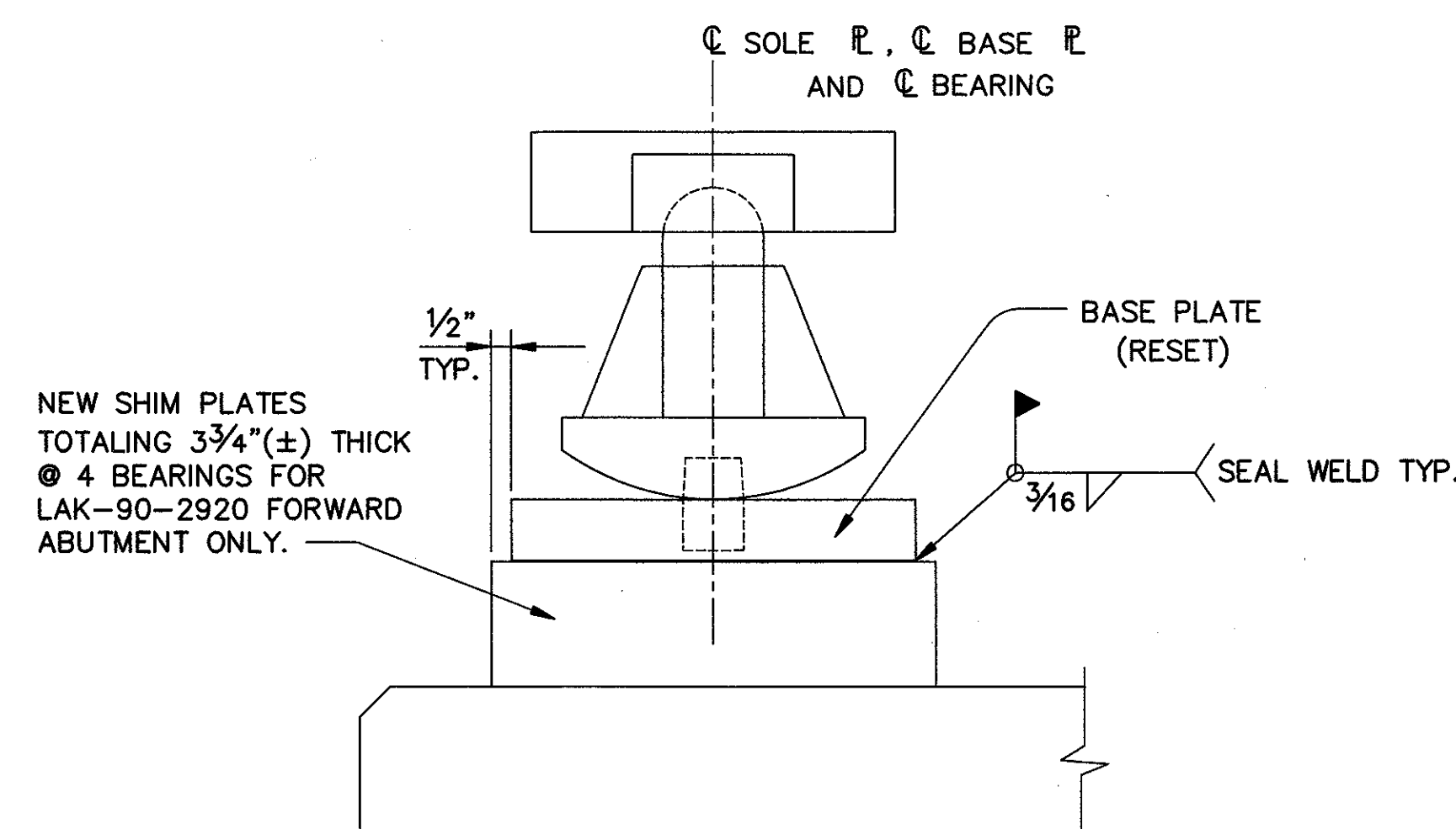
EXISTING SIDE ELEVATION



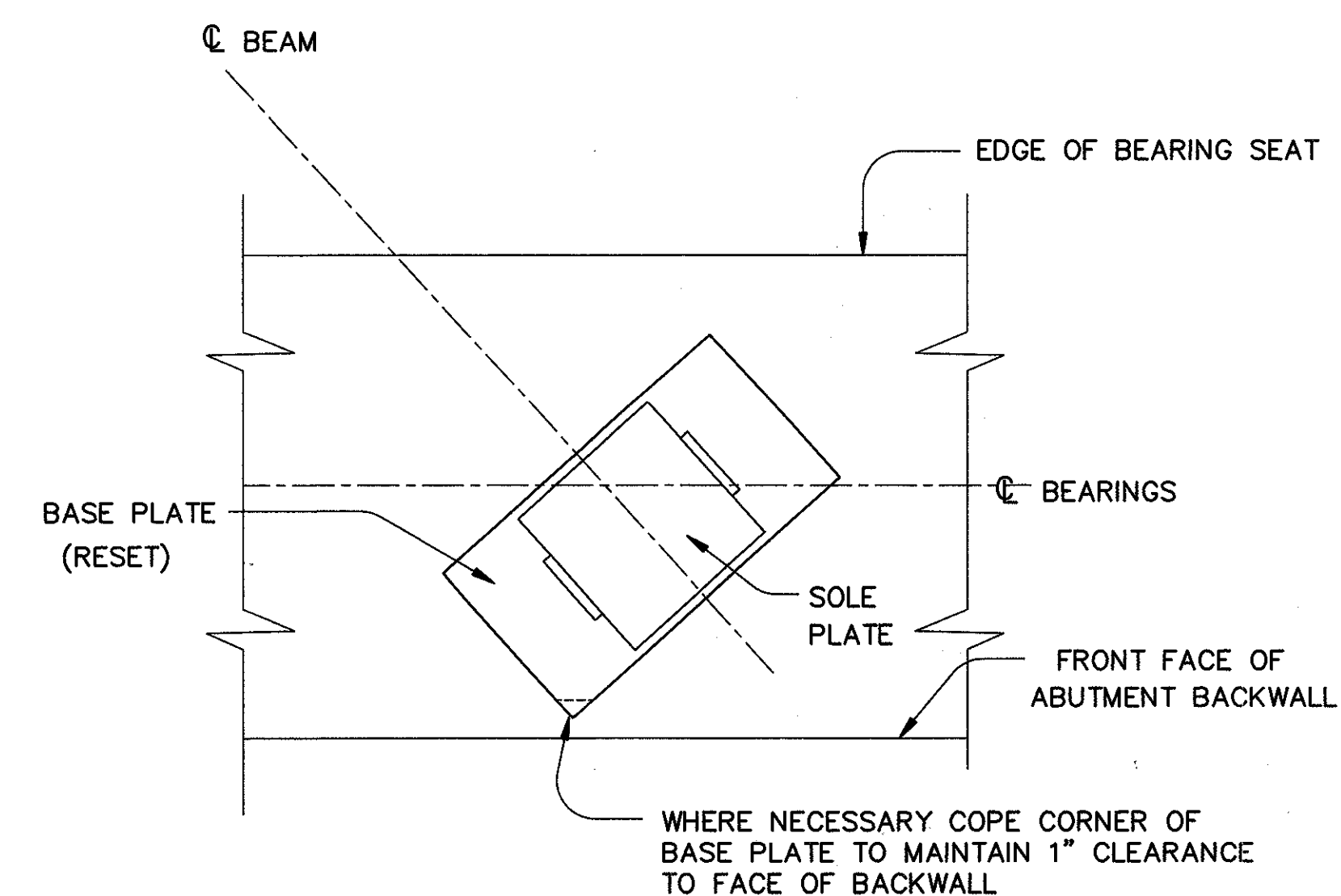
EXISTING PLAN VIEW



MODIFIED FRONT ELEVATION



MODIFIED SIDE ELEVATION



MODIFIED PLAN VIEW

PROCEDURE FOR RESETTING BEARINGS

1. RAISE THE ENTIRE SUPERSTRUCTURE AT THE ABUTMENT AND AT THE PIER UNTIL THERE IS NO CONTACT BETWEEN THE SOLE PLATE AND THE BEARINGS. MAXIMUM LIFT OF SUPERSTRUCTURE SHALL BE 1/4" AT ABUTMENTS AND 1/16" AT PIERS.
2. RESET THE ROCKER AND BASE PLATE OR BASE PLATE ONLY IN FINAL POSITION, BY CENTERING THE BASE PLATE UNDER THE SOLE PLATE BOTH IN THE LONGITUDINAL AND TRANSVERSE DIRECTION.
3. LOWER ENTIRE SUPERSTRUCTURE.

NOTATION: TYP.-TYPICAL

**COLPETZER-THOMAS, INC.**  
 AN ENGINEERING GROUP  
 WILLOUGHBY • MENTOR • NORTH CANTON • STEUBENVILLE • LORAIN

**RESETTING BEARINGS**  
 LAK-90-0877/1641R/  
 1921/2003R/2210/2920

DESIGNED	DRAWN	TRACED	CHECKED	REVIEWED	DATE	REVISED
J.E.A.	R.L.B.	H.P.	R.J.C.	B.J.A.	11/2/87	