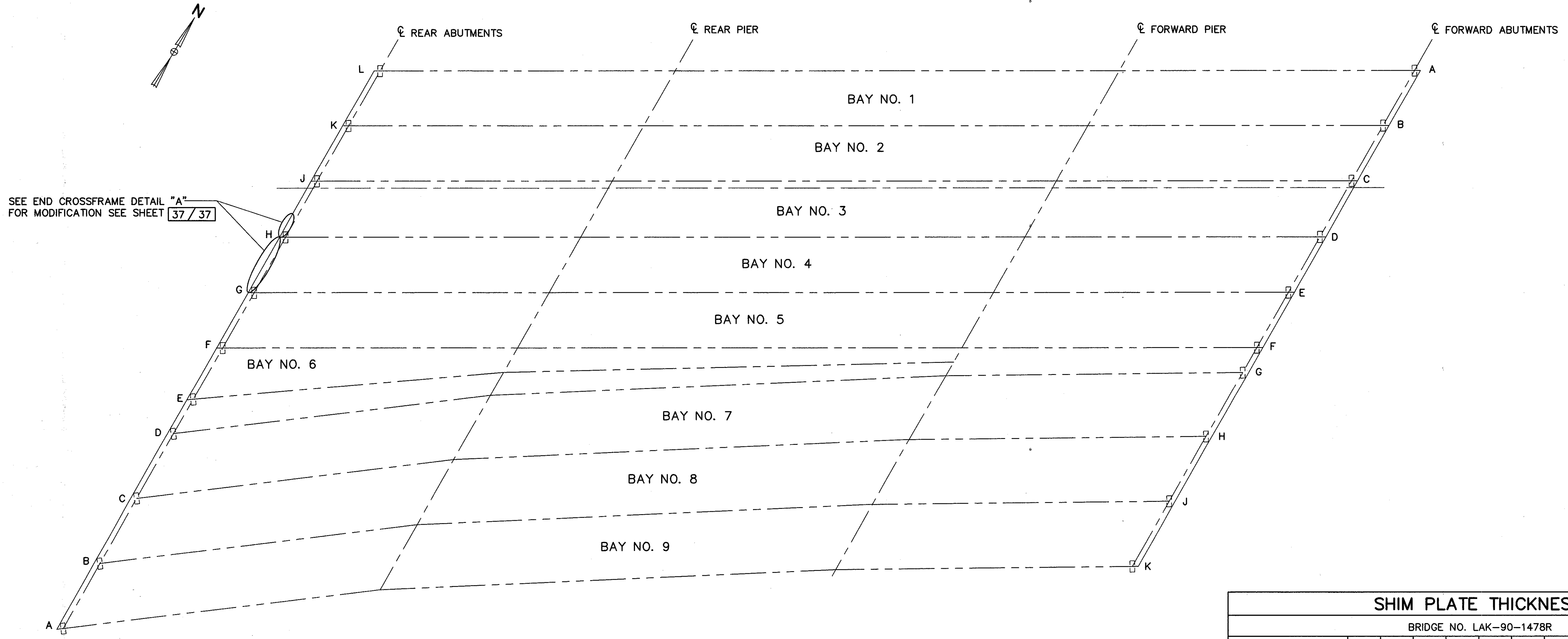


CALC.
BY _____
DATE _____
CHKD.
BY _____
DATE _____

LAK-90-8.77/29.20

OHIO
FHWA 5
REGION

70
101

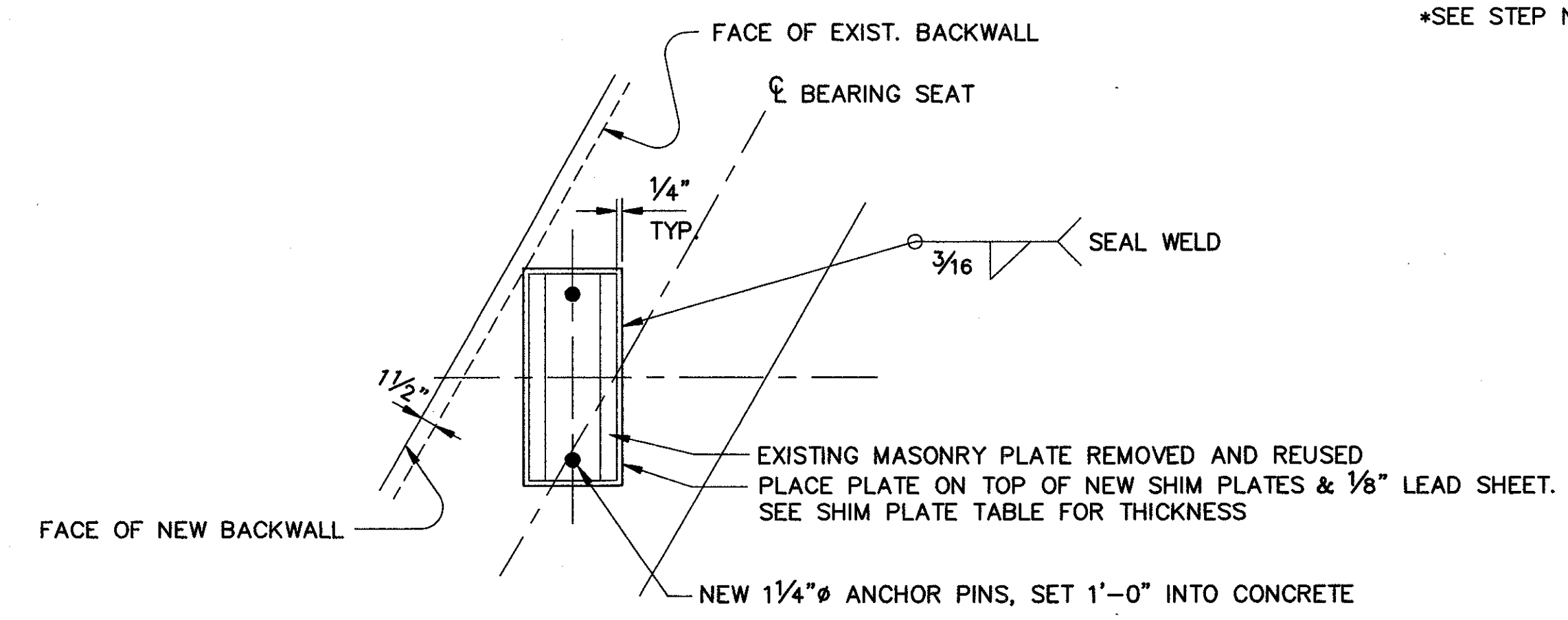


SEE END CROSSFRAME DETAIL "A"
FOR MODIFICATION SEE SHEET 37/37

**PLAN BRIDGE NO. LAK-90-1487R
AND RAMP "D" BRIDGE**

SHIM PLATE THICKNESS*											
BRIDGE NO. LAK-90-1478R											
GIRDER END	A	B	C	D	E	F	G	H	J	K	L
REAR ABUTMENT	2 1/8"	2 1/4"	2 5/16"	2 7/16"	2 1/2"	2 9/16"	2 1 1/16"	2 3/4"	2 13/16"	2 7/8"	3"
FORWARD ABUTMENT	1 15/16"	1 15/16"	2"	2"	2"	2 1/16"	2 1/16"	2 1/16"	2 1/8"	2 1/8"	-

*SEE STEP NO. 6 OF PROCEDURE NOTES ON SHEET 32/37



MODIFIED PLAN VIEW

(SEE NOTE NO. 5 PART A ON SHEET 32/37)

COLPETZER-THOMAS, INC.
AN ENGINEERING GROUP
WILLOUGHBY • MENTOR • NORTH CANTON • STEUBENVILLE • LORAIN

**RESETTING BEARINGS
BRIDGE NO. LAK-90-1487R**

DESIGNED	DRAWN	TRACED	CHECKED	REVIEWED	DATE	REVISED
R.J.C.	R.L.B.	H.P.	J.E.A.	B.J.A.	11/2/87	