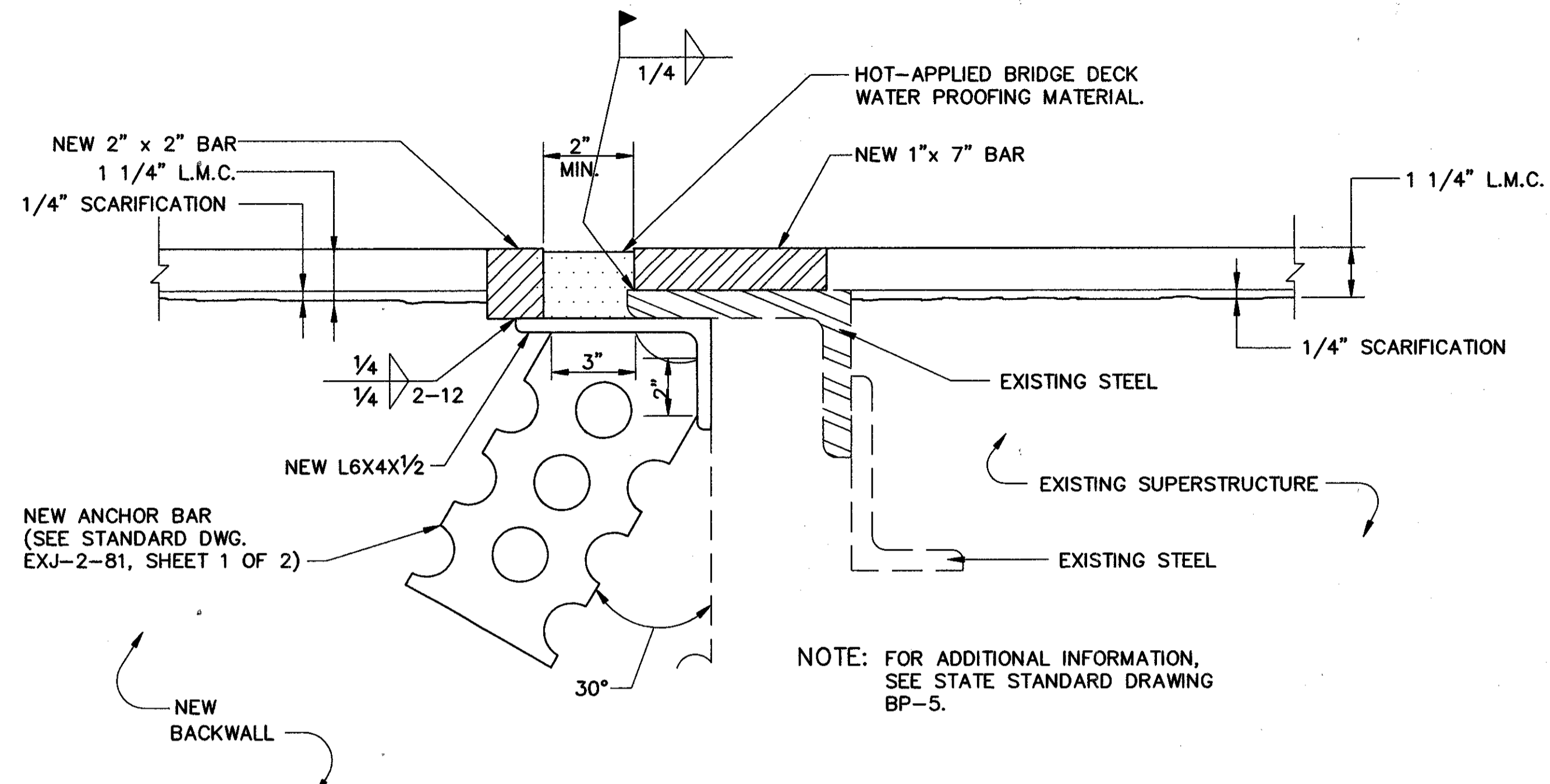


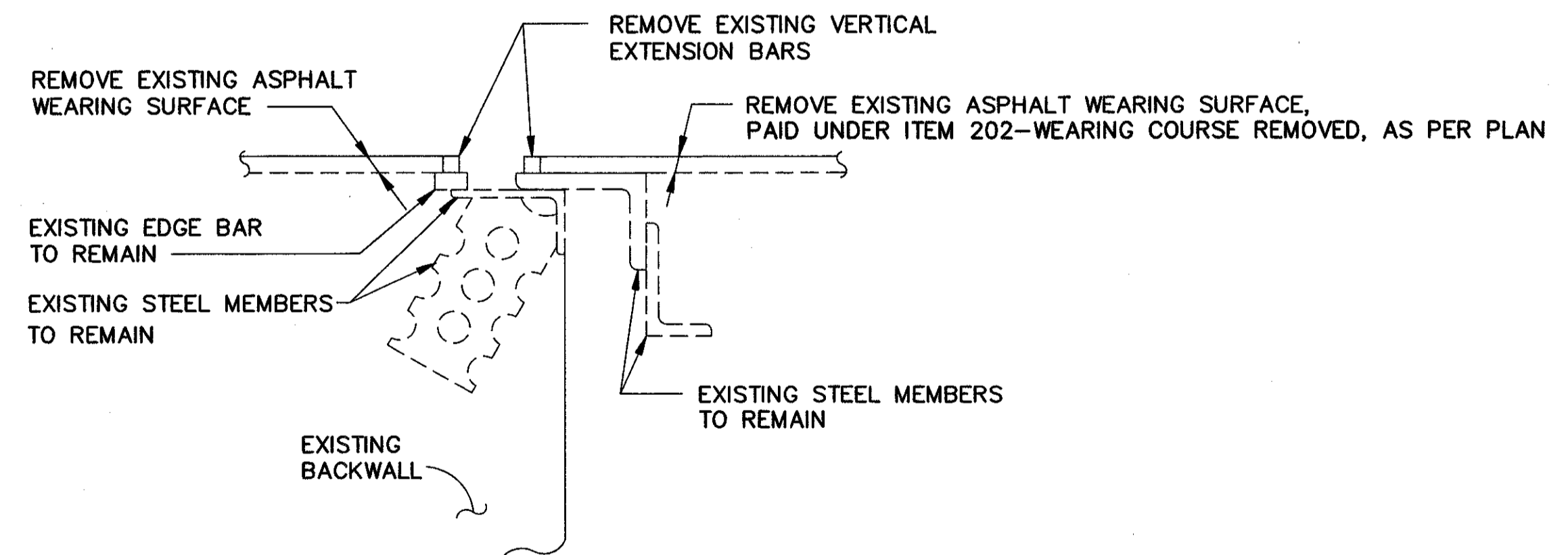
ITEM 516 - VERTICAL EXTENSION OF STRUCTURAL EXPANSION JOINTS, AS PER PLAN (1" x 1" & 7" x 1" BARS)

FOR BRIDGE NO. LAK-90-1370 L/R, 1641 L, 1641 R (REAR ONLY), 2003 L/R & 2110 L/R



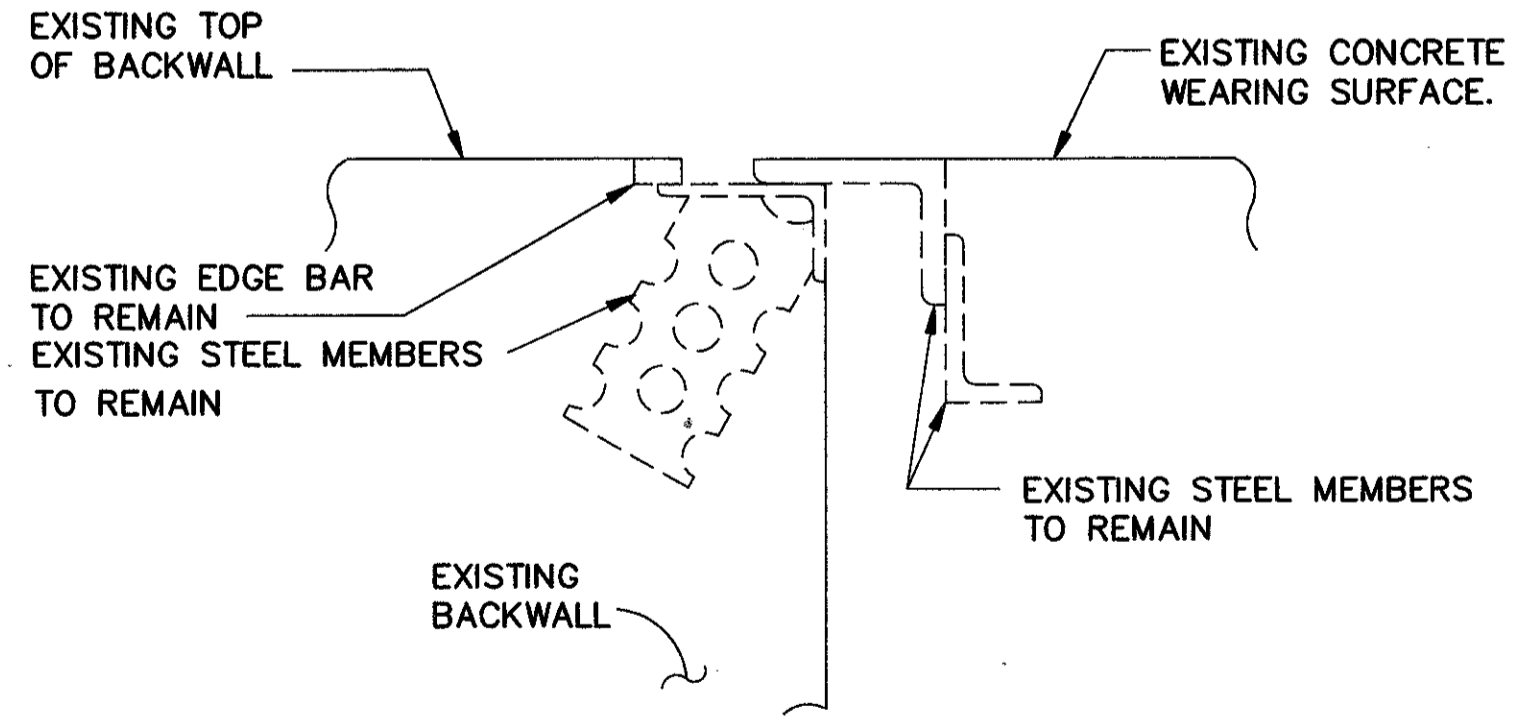
ITEM 516 - VERTICAL EXTENSION OF STRUCTURAL EXPANSION JOINTS, AS PER PLAN (2" x 2" & 7" x 1" BARS)

FOR BRIDGE NO. LAK-90-1487 L/R, 1641R (FORWARD ONLY)



EXISTING EXPANSION JOINTS

FOR BRIDGE NO. LAK-90-1370 L/R, 1641L, 1641R (REAR ONLY), 2003L/R AND 2110L/R



EXISTING EXPANSION JOINTS

FOR BRIDGE NO. LAK-90-0877, 1051, 1297, 1921, 2210, 2920 (REAR ONLY).

NOTATION: L.M.C. - LATEX MODIFIED CONCRETE, MIN.-MINIMUM

COLPETZER-THOMAS, INC.
AN ENGINEERING GROUP
WILLOUGHBY • MENTOR • NORTH CANTON • STEUBENVILLE • LORAIN 31/37

MISCELLANEOUS DETAILS

DESIGNED	DRAWN	TRACED	CHECKED	REVIEWED	DATE	REVISED
J.E.A.	R.L.B.	H.P.	R.J.C.	B.J.A.	11/2/87	