

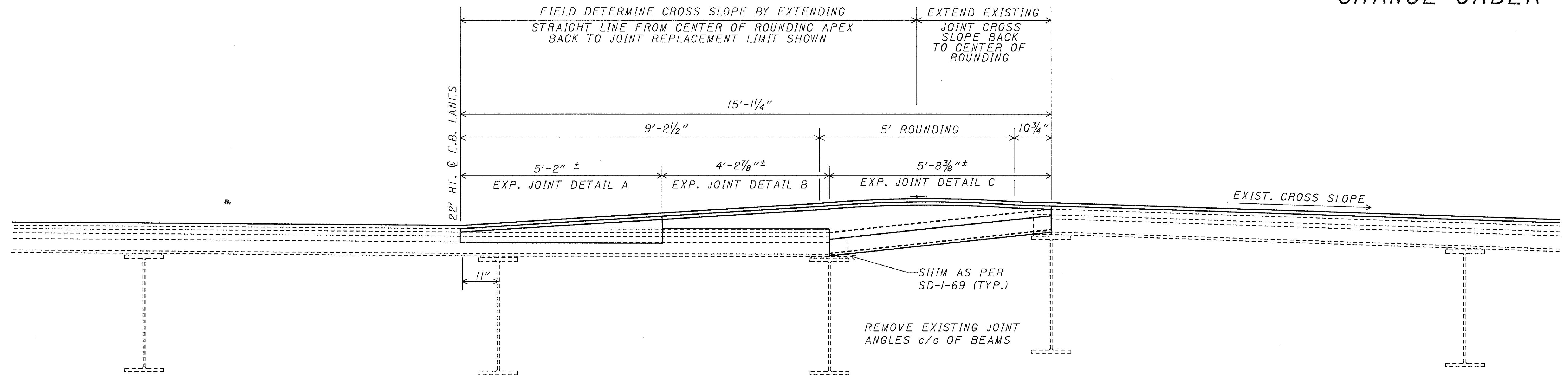
# MISCELLANEOUS DETAILS

LAKE COUNTY  
LAK-90-8.77/29.20

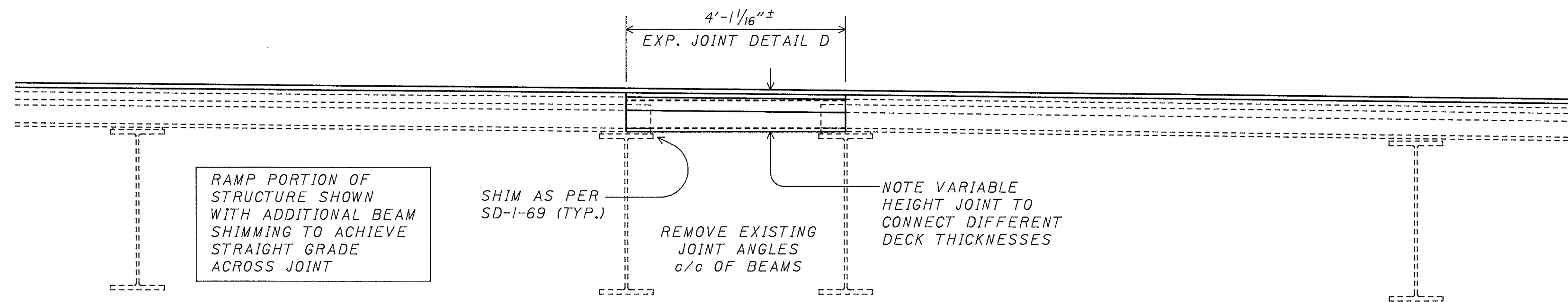
OHIO  
FHWA REGION 5  
FEDERAL PROJECT

57G  
101

CHANGE ORDER



EXPANSION JOINT DETAIL - REAR ABUTMENT  
SECTION A-A



EXPANSION JOINT DETAIL - FORWARD ABUTMENT  
SECTION B-B

PLOT SUBMITTED: 1-JUN-1990 11:17

PLOT SUBMITTED BY: GRMOVSEK

ZFI:[100,350]BR90DET2.DGN

STATE OF OHIO  
DEPARTMENT OF TRANSPORTATION  
DISTRICT 12 LOCATION & DESIGN

## MISCELLANEOUS DETAILS

BR. NO. LAK-90-1487R  
I-90 E.B. OVER AUBURN ROAD

DESIGNED	TRACED	CHECKED	REVIEWED	REVISED
ENF	JAG	DWL		
			DATE	SHEET 7 / 7