

MISCELLANEOUS DETAILS

LAKE COUNTY
LAK-90-8.77/29.20

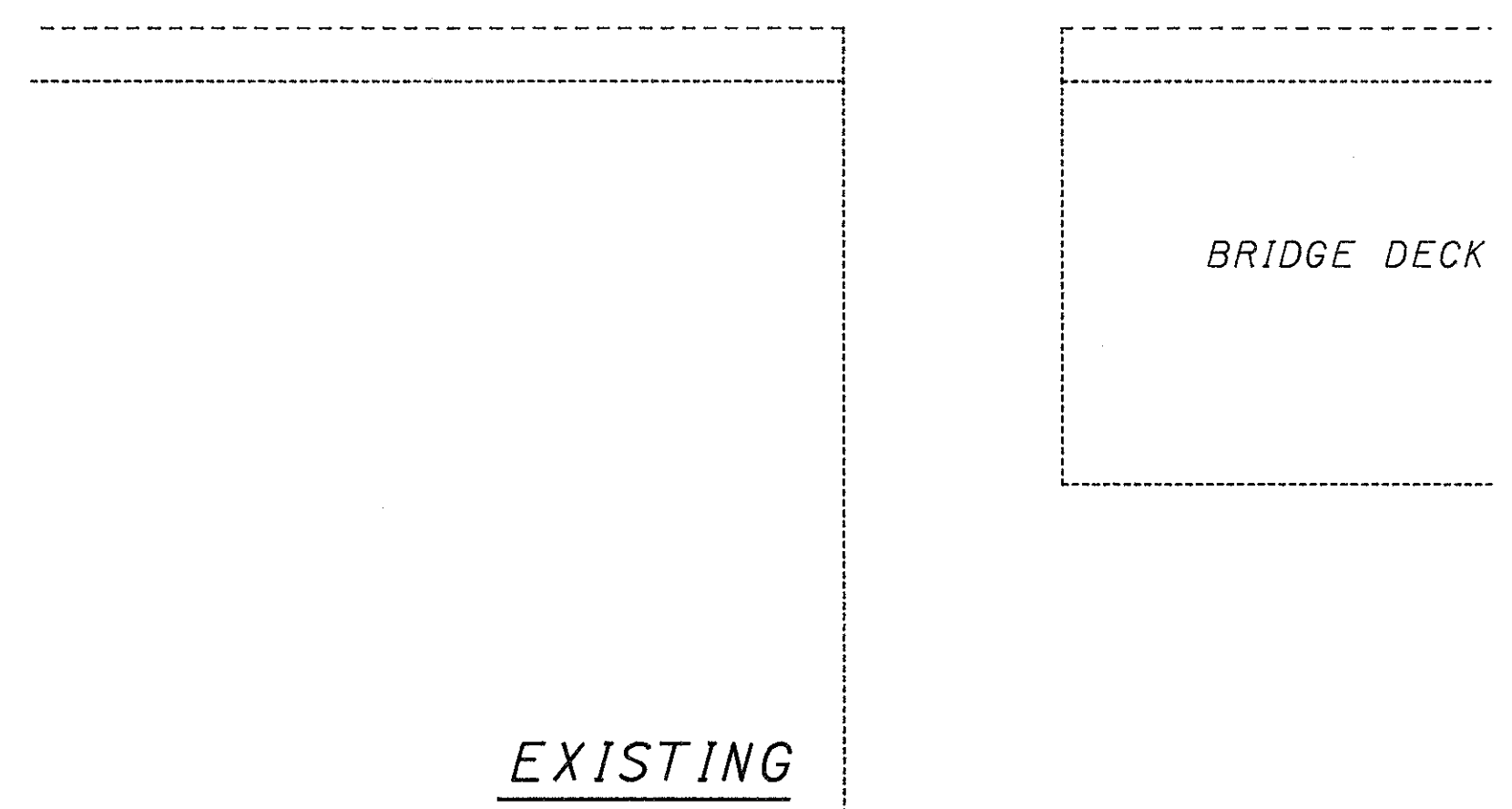
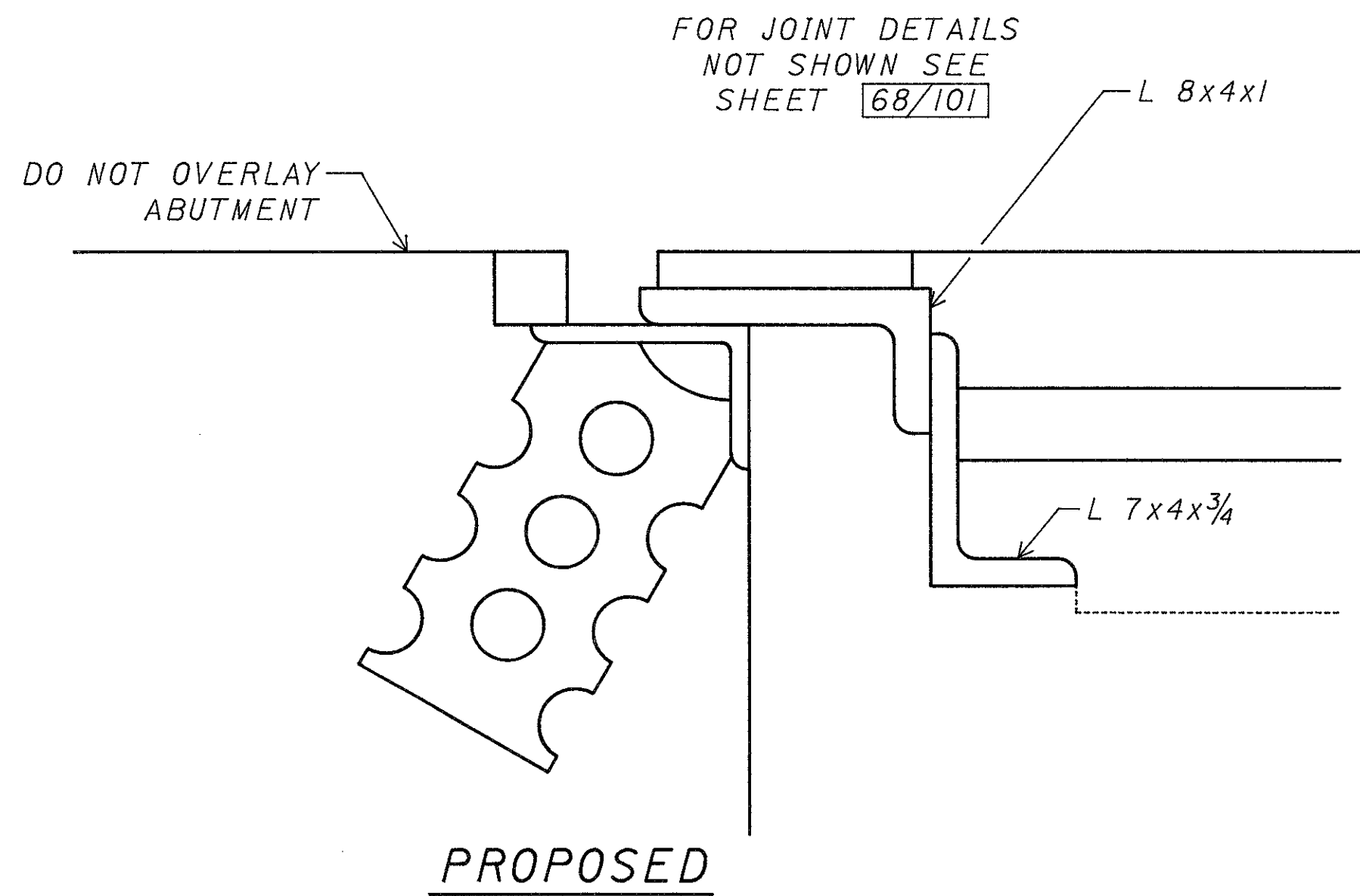
OHIO
FHWA REGION 5
FEDERAL PROJECT

57F
101

CHANGE ORDER

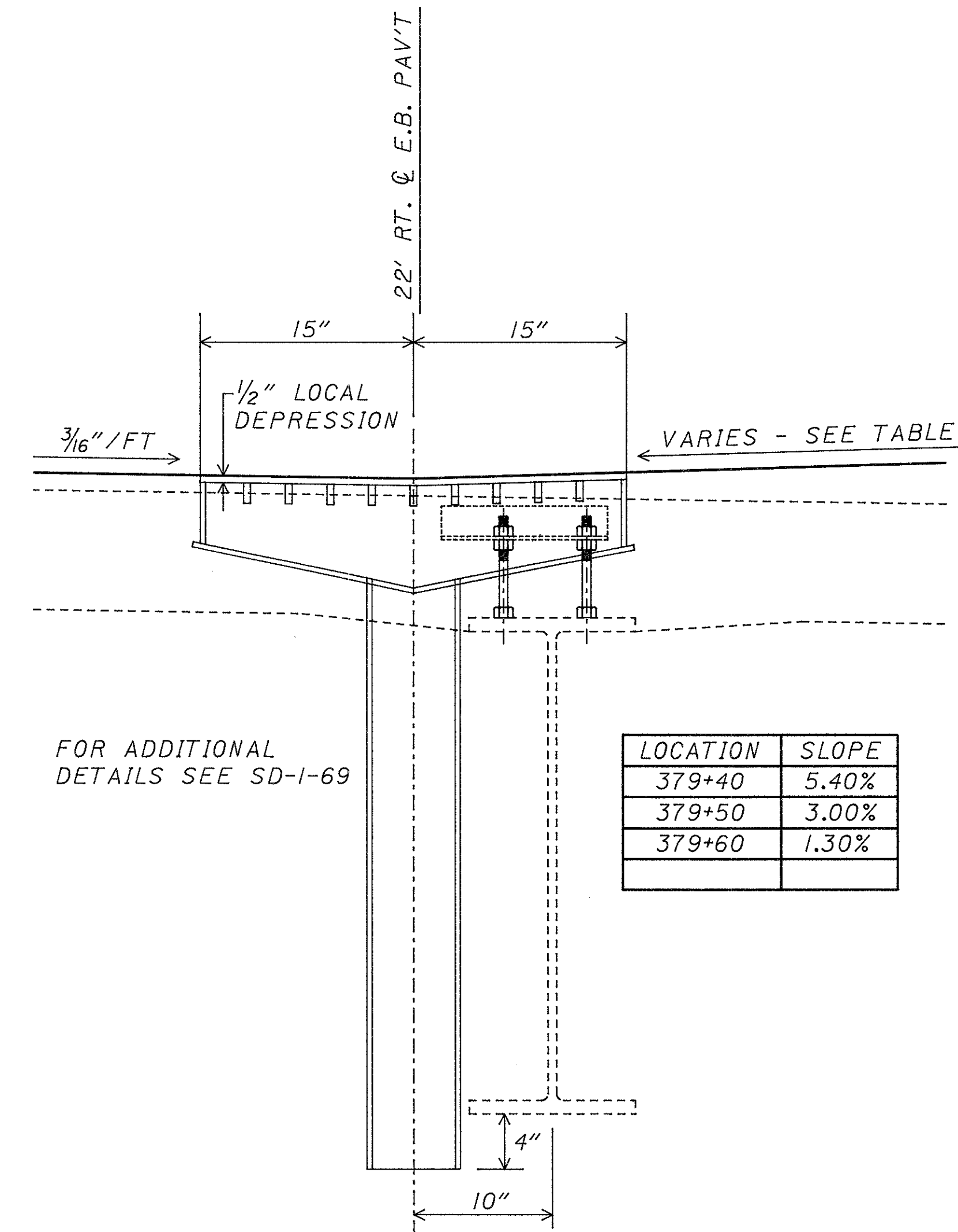
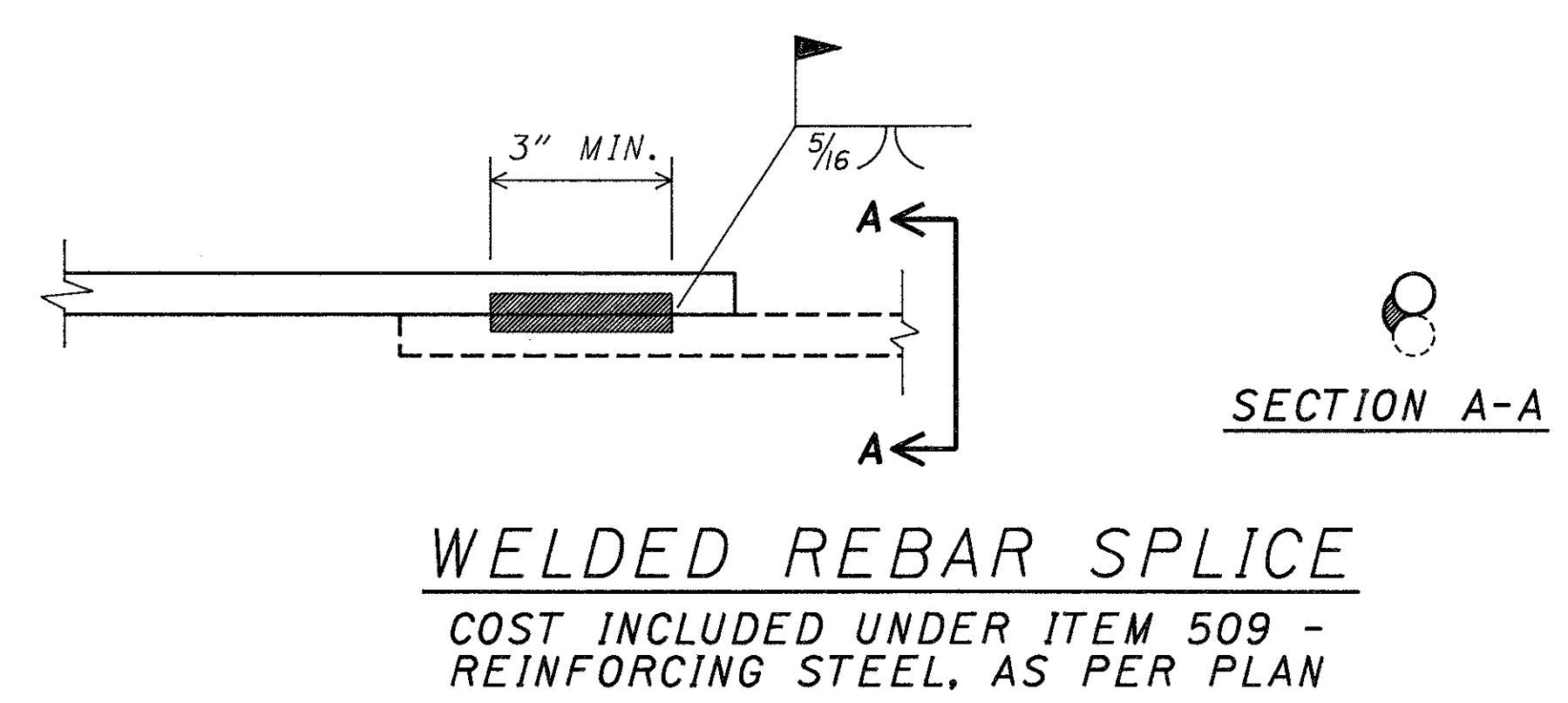
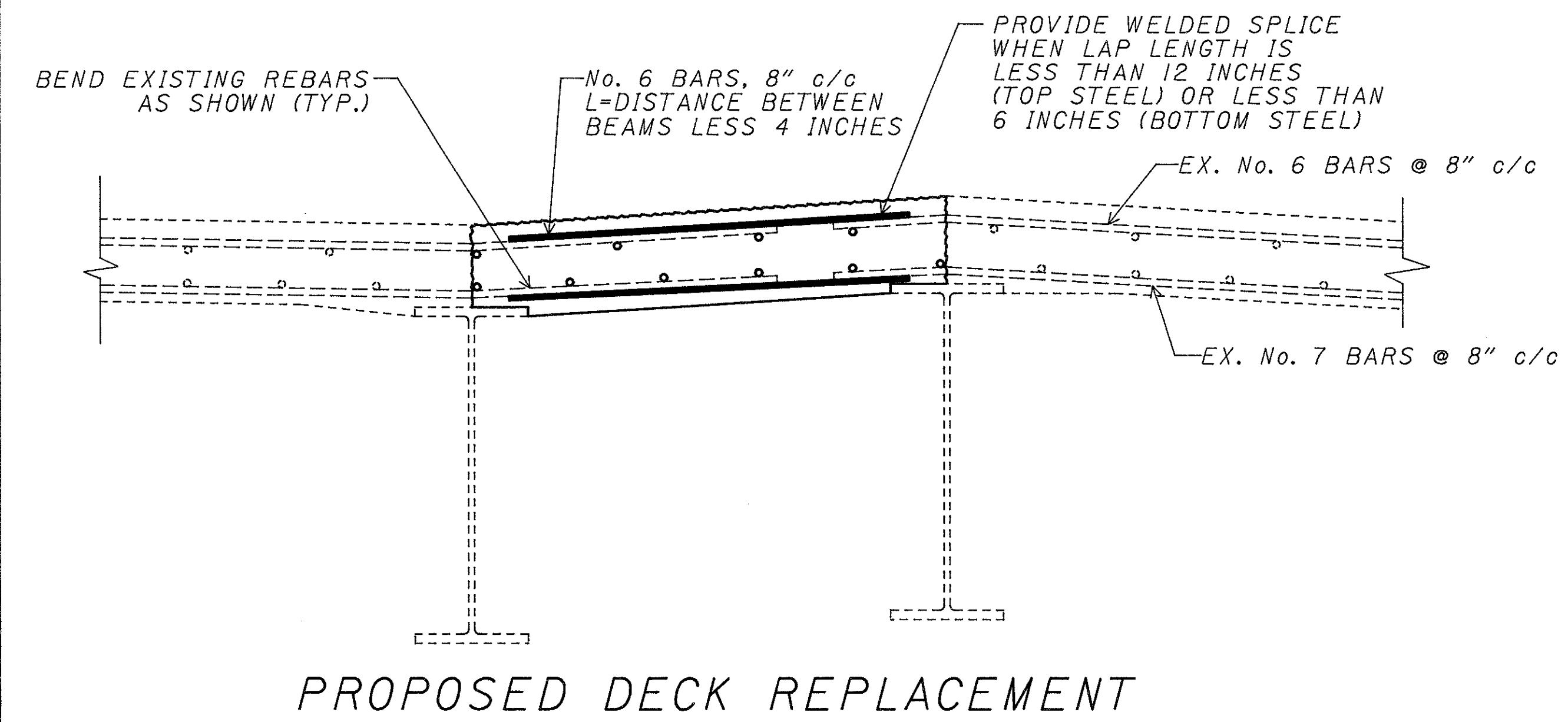
PLOT SUBMITTED: 1-JUN-1990 10:17

PLOT SUBMITTED BY: GRMOVSEK



EXPANSION JOINT MODIFICATIONS - DETAIL D
(PREVIOUS OPEN BAY - FORWARD ABUTMENT)

SEE NOTES ON SHEET 57E FOR
ADDITIONAL REQUIREMENTS



SPECIAL SCUPPER DETAIL

STATE OF OHIO
DEPARTMENT OF TRANSPORTATION
DISTRICT 12 LOCATION & DESIGN

MISCELLANEOUS DETAILS

BR. NO. LAK-90-1487R
I-90 E.B. OVER AUBURN ROAD

DESIGNED	TRACED	CHECKED	REVIEWED	REVISED
ENF	JAG	DWL		
DATE				SHEET 6 / 7