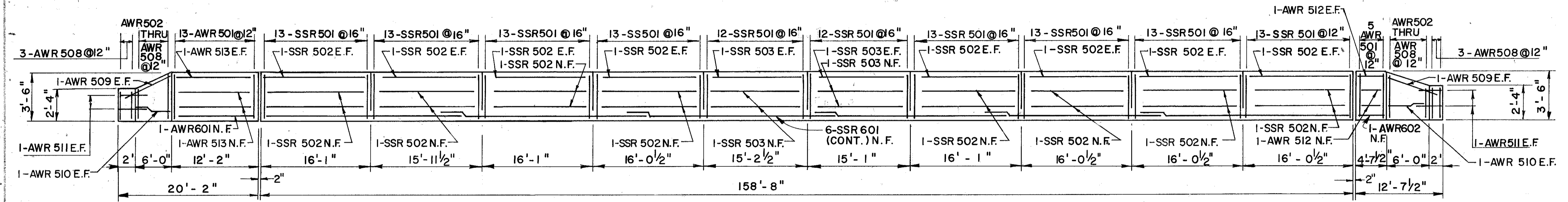
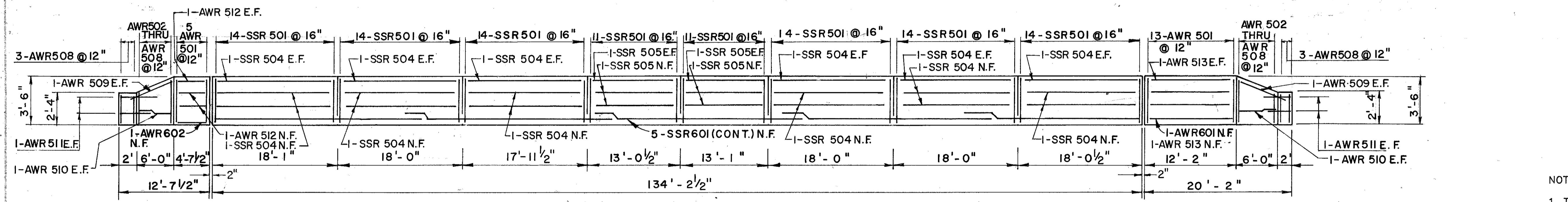


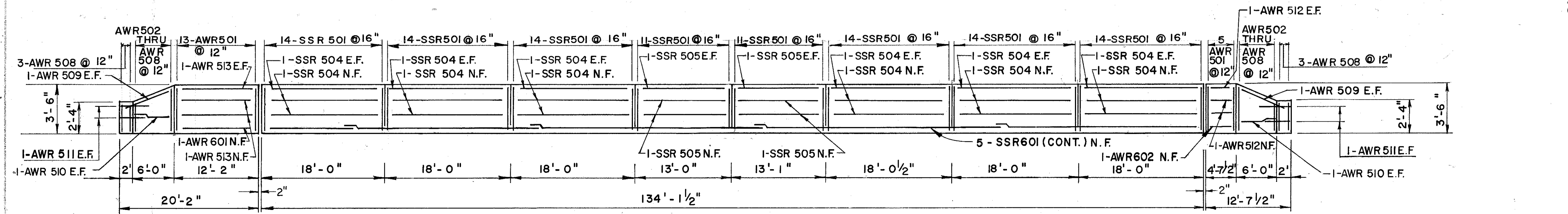
LAK - 90 - 1370R (NORTH RAILING)



LAK - 90 - 1370R (SOUTH RAILING)



LAK - 90 - 1370L (NORTH RAILING)



LAK - 90 - 1370L (SOUTH RAILING)

NOTE:
 1. THE PROPOSED DEFLECTION JOINTS ARE LOCATED AT EXISTING DEFLECTION JOINTS. PARAPET PANEL LENGTHS INDICATED ARE BASED ON FIELD MEASUREMENTS OF EXISTING CONDITIONS AND ARE TO BE VERIFIED BY THE CONTRACTOR.

COLPEZZER-THOMAS, INC.
 AN ENGINEERING GROUP
 WILLOUGHBY • WENTON • NORTH CANTON • STEUBENVILLE • LORAIN

PARAPET ELEVATIONS
LAK-90-1370L/1370R
I-90 OVER HERMITAGE RD.

DESIGNED	DRAWN	TRACED	CHECKED	REVIEWED	DATE	REVISED
J.E.A.	J.L.J.	J.L.J.	R.J.C.	B.J.A.	11/2/87	