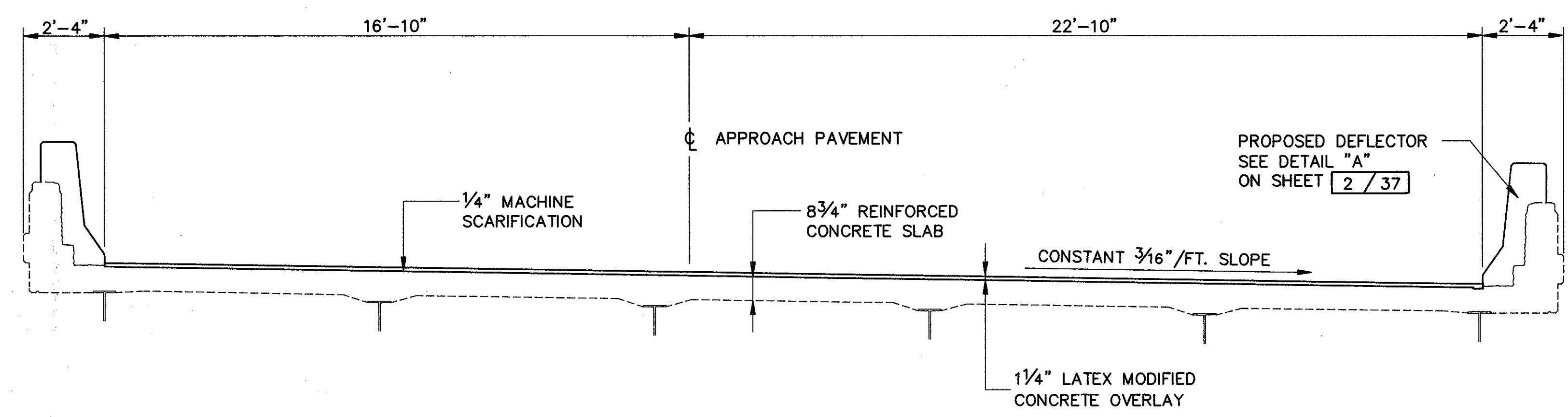
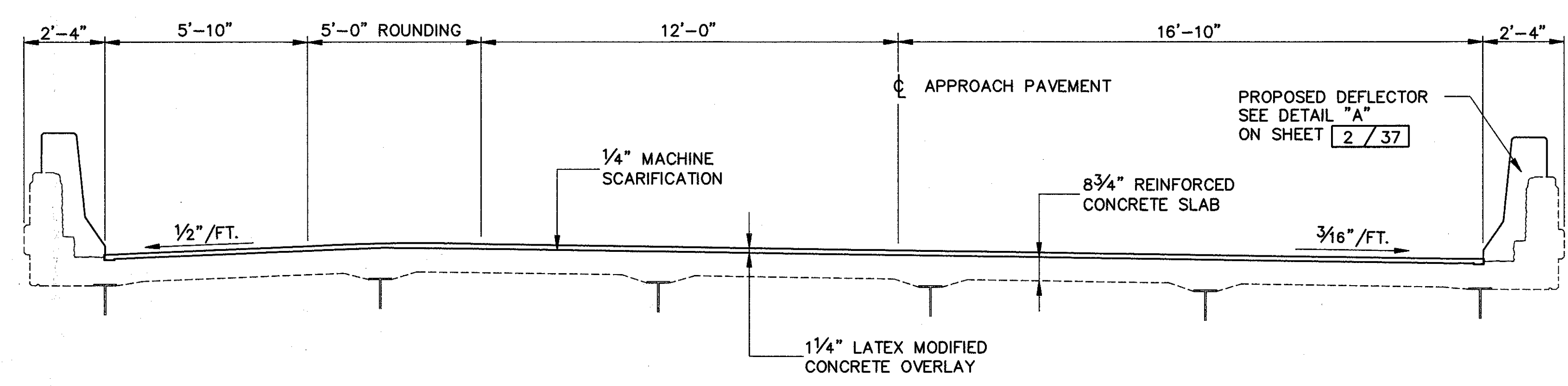


LAK-90-8.77/29.20



LAK-90-2003R



LAK-90-2003L

<b>COLPETZER-THOMAS, INC.</b> AN ENGINEERING GROUP <small>WILLOUGHBY • MENTOR • NORTH CANTON • STEUBENVILLE • LORAIN</small>							5 / 37
<b>TYPICAL SECTIONS</b> <b>LAK-90-2003L</b> <b>LAK-90-2003R</b>							
DESIGNED	DRAWN	TRACED	CHECKED	REVIEWED	DATE	REVISED	
J.E.A.	R.L.B.	R.L.B.	R.J.C.	B.J.A.	11/2/87		