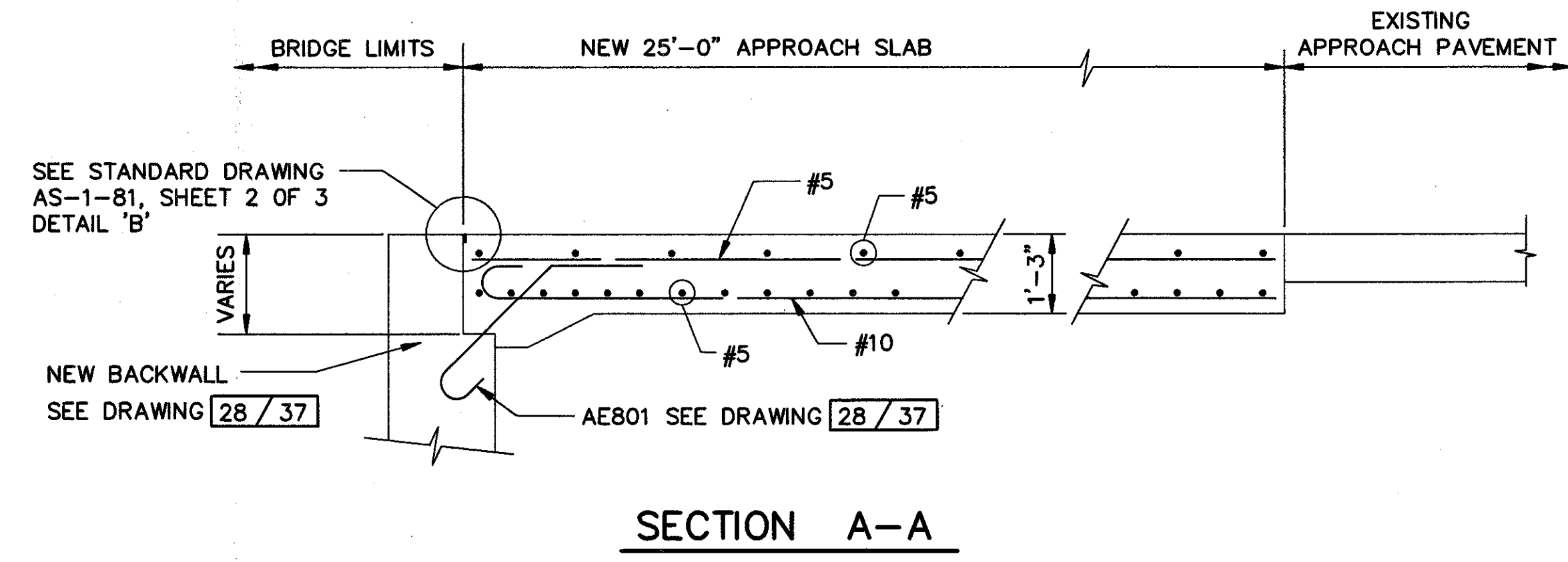


- (A) A1001 THRU A1004 (3 SPACES @ 7" = 1'-9")
- (B) 1 SERIES OF 10-A1005 (9 SPACES @ 7" = 5'-3")
- (C) 21-A1006 (20 SPACES @ 7" = 11'-8")
- (D) 1 SERIES OF 10-A1007 (9 SPACES @ 7" = 5'-3")
- (E) A1008 THRU A1011 (3 SPACES @ 7" = 1'-9")
- (F) 1 SERIES OF 4-C503 (3 SPACES @ 1'-6" = 4'-6")
- (G) 8-C504 (7 SPACES @ 1'-6" = 10'-6")
- (H) 1 SERIES OF 4-C505 (3 SPACES @ 1'-6" = 4'-6")
- (J) 5-B501 (4 SPACES @ 6" = 2'-0")

LAK-90-2920 FORWARD APPROACH SLAB										
MARK	NO. REQUIRED		LENGTH	TYPE	A	B	C	D	H	WEIGHT (LBS)
		TOTAL								
A1001		1	10'-2"	STR						44
A1002		1	11'-8"	STR						50
A1003		1	13'-7"	STR						58
A1004		1	16'-0"	STR						69
A1005	1 SERIES OF 10		24'-11" 25'-10"	2		23'-5 1/4" 24'-5"		VARY BY 1 1/4"		1,092
A1006		21	25'-11"	2		24'-6"				2,342
A1007	1 SERIES OF 10		26'-0" 26'-11"	2		24'-7" 25'-6 1/4"		VARY BY 1 1/4"		1,139
A1008		1	18'-11"	STR						81
A1009		1	16'-5"	STR						71
A1010		1	14'-7"	STR						63
A1011		1	13'-1"	STR						56
B501		6	23'-9"	STR						149
B502		3	23'-9"	STR						74
B503		3	23'-10"	STR						75
B504		3	24'-1"	STR						75
B505		3	24'-6"	STR						77
B506		3	25'-1"	STR						79
B507		3	25'-10"	STR						81
B508		3	26'-8"	STR						84
B509		3	27'-10"	STR						87
B510		22	28'-9"	STR						660
B511		4	9'-8"	9	2.0	8'-1 1/2"	1'-6 1/2"			40
B512		2	20'-6"	STR						43
B513		1	4'-4"	STR						5
B514		1	24'-4"	STR						25
C501		1	10'-0"	STR						10
C502		1	13'-10"	STR						14
C503	1 SERIES OF 4		23'-7" 24'-4"	STR				VARY BY 3"		100
C504		8	24'-6"	STR						204
C505	1 SERIES OF 4		24'-8" 25'-5"	STR				VARY BY 3"		105
C506		1	16'-9"	STR						18
C507		1	12'-10"	STR						13
										TOTAL = 7,083 LBS.

APPROACH SLAB PLAN
 BRIDGE NO. LAK-90-2920
 (FORWARD)



SECTION A-A

NOTES: ALL DIMENSIONS ARE OUT TO OUT OF BARS.

REINFORCING STEEL SAMPLES: REFER TO CMS SECTIONS 106.03, 700, 709.01 THROUGH 709.05 AND 709.08. SUFFICIENT ADDITIONAL REINFORCING STEEL SHALL BE PROVIDED FOR SAMPLING. RANDOM SAMPLES SHALL BE REPLACED IN THE STRUCTURES BY THE ADDITIONAL STEEL, SPLICED IN ACCORDANCE WITH 509.08.

FOR ADDITIONAL INFORMATION SEE STANDARD DRAWING AS-1-81 SHEETS 1 & 2 OF 3.

NOTATION: T. & BOT.-TOP & BOTTOM OF SLAB,
 BOT.-BOTTOM OF SLAB, P.C.-POINT OF CURVE

