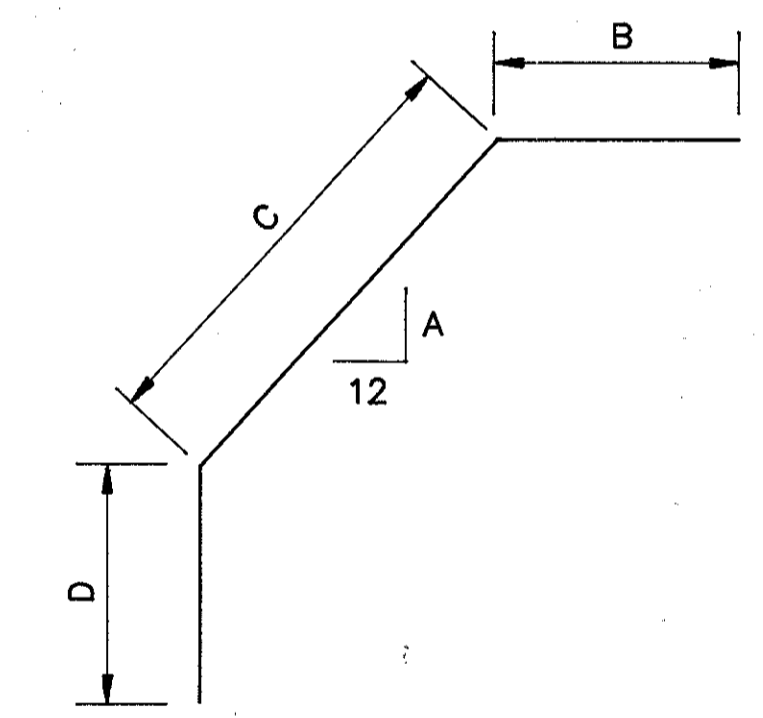


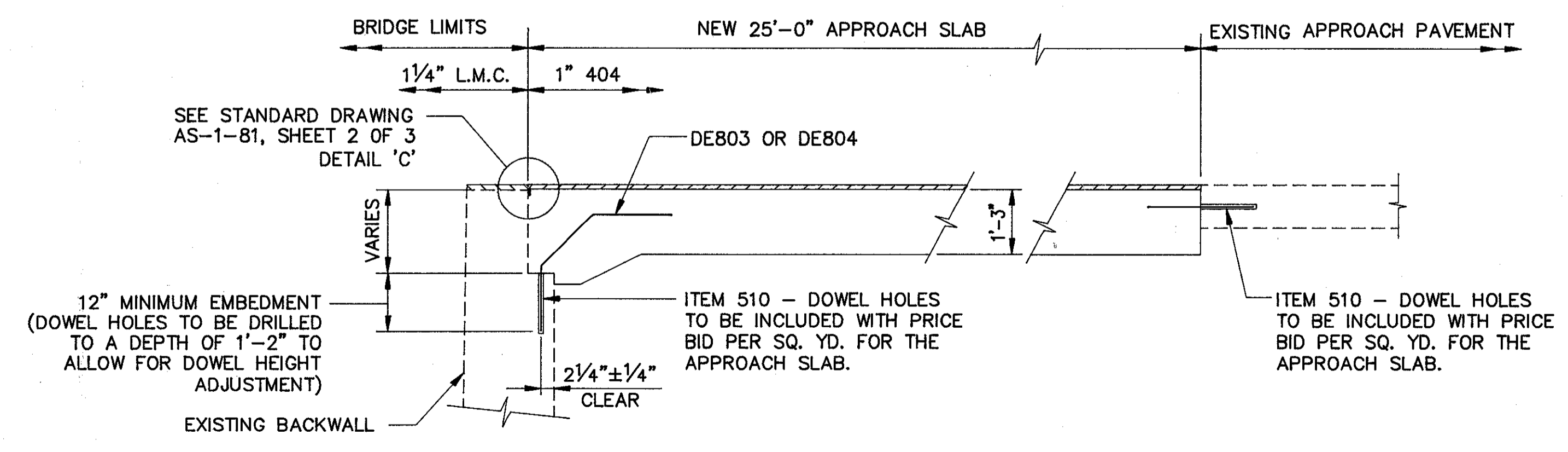
APPROACH SLAB PLAN
 BRIDGE NO. LAK-90-2110R
 (FORWARD)

LAK-90-2110R FORWARD APPROACH SLAB										
MARK	NO. REQUIRED		LENGTH	TYPE	A	B	C	D	H	WEIGHT (LBS)
		TOTAL								
DE803		8	3'-11"	48	12	1'-5"	1'-3"	1'-3"		84
DE804		8	4'-1"	48	12	1'-5"	1'-4 1/2"	1'-3"		87
EPOXY COATED TOTAL = 171 LBS.										

NOTE: BARS WITH PREFIX OF "DE" ARE EPOXY COATED.



TYPE 48



SECTION A-A

NOTES:

- FOR ALL OTHER INFORMATION, SEE STANDARD DRAWING AS-1-81, SHEETS 1 & 2 OF 3.
- SPACING OF "C-BARS" AND "A-BARS" (SEE STANDARD DRAWING) TO BE ADJUSTED AT LONGITUDINAL JOINT AS REQUIRED.
- "B501 BARS" (SEE STANDARD DRAWING) SHALL NOT BE CONTINUOUS THROUGH THE LONGITUDINAL JOINT.
- SEE STANDARD DRAWING BP-3 FOR HOOK BOLT AND HOOK BOLT SPACING DETAILS TO BE USED ALONG LENGTH OF LONGITUDINAL JOINT.
- NOTATION: L.M.C.—LATEX MODIFIED CONCRETE