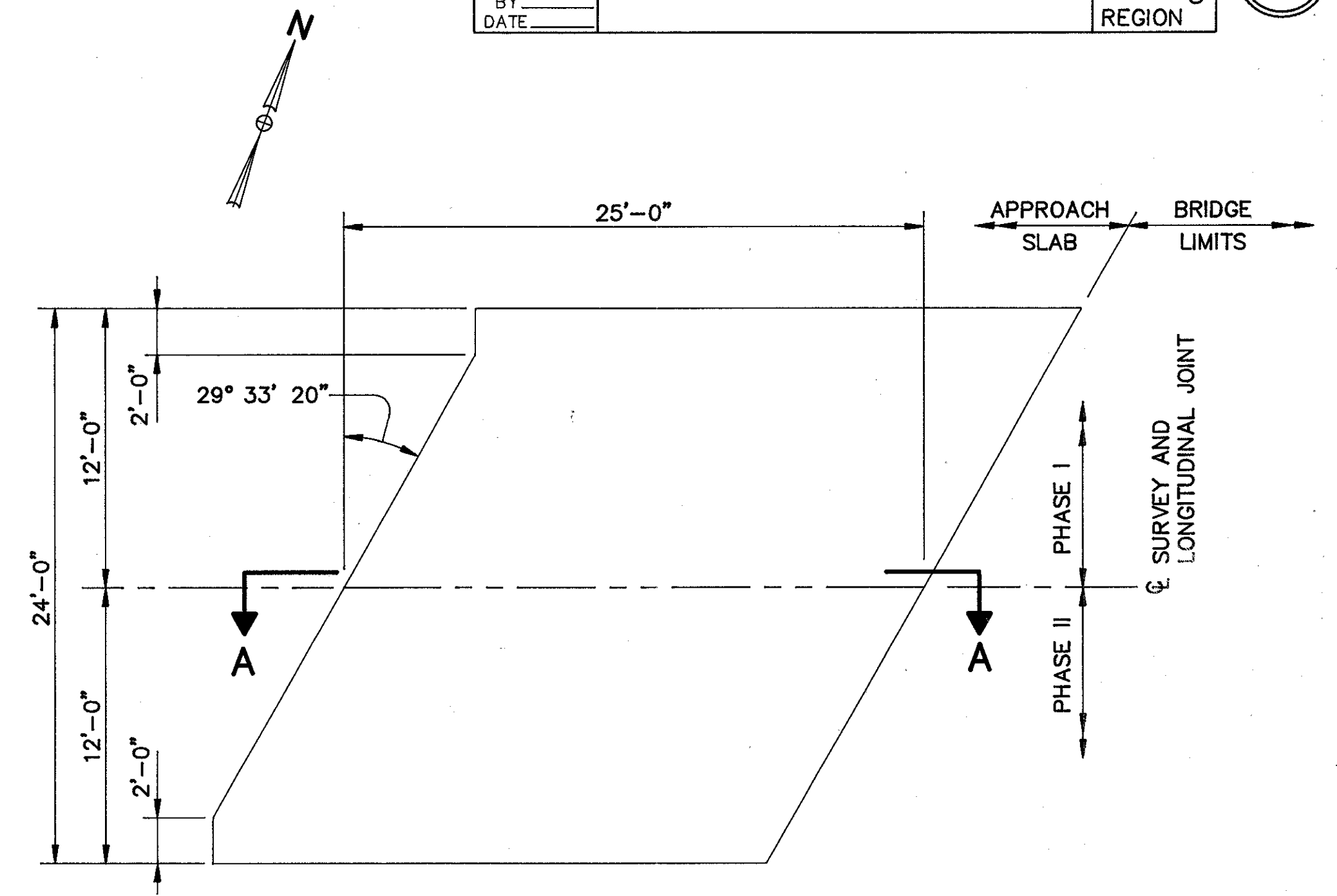
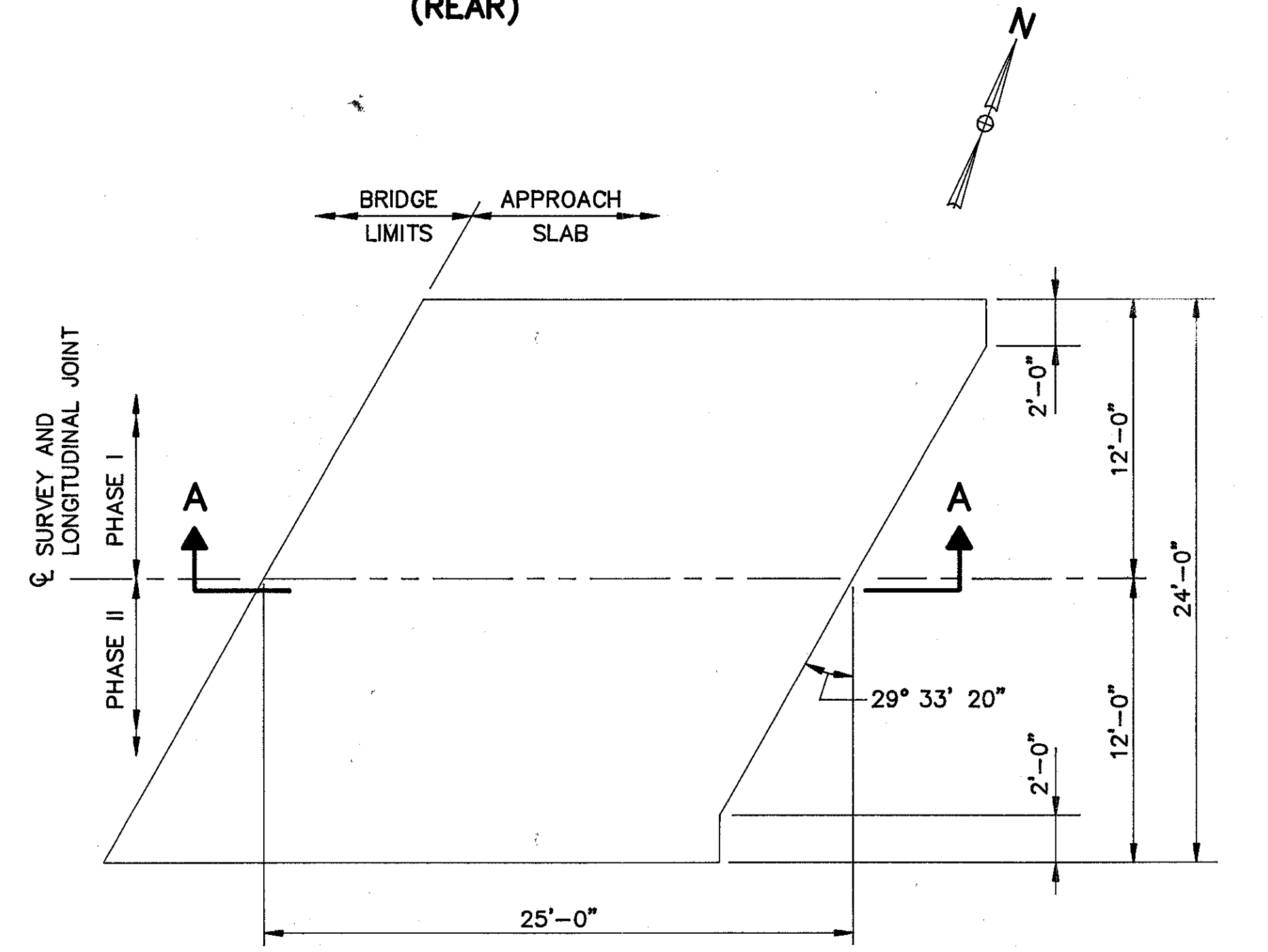


APPROACH SLAB PLAN
 BRIDGE NO. LAK-90-1487L
 (REAR)

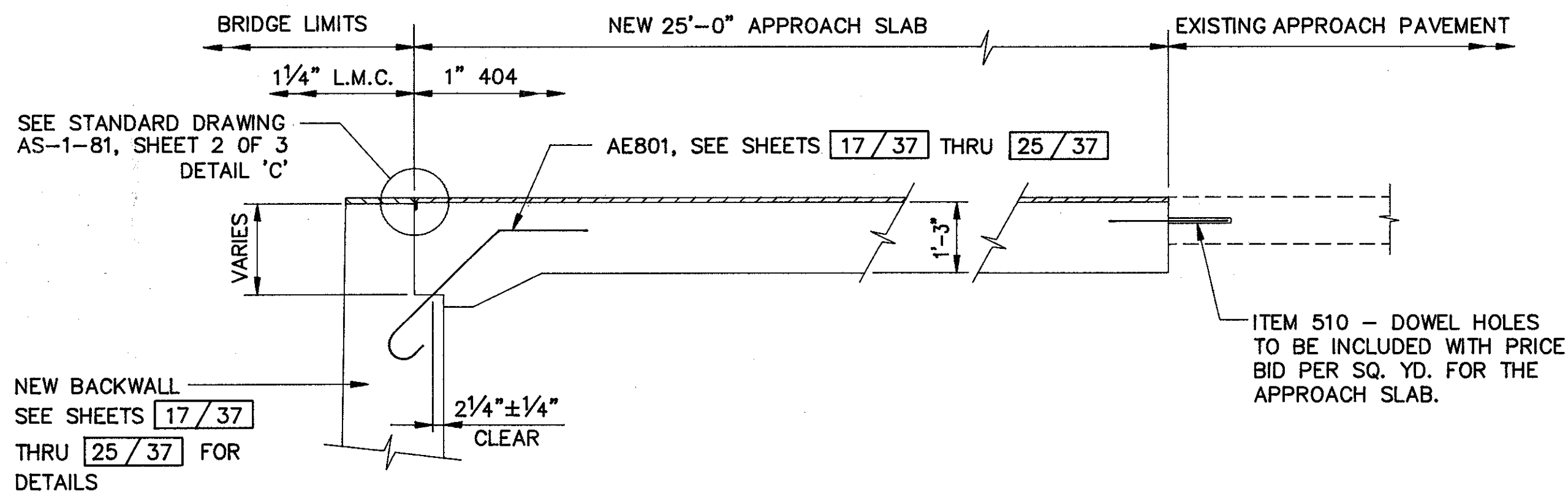
APPROACH SLAB PLAN
 BRIDGE NO. LAK-90-1487L
 (FORWARD)



APPROACH SLAB PLAN
 BRIDGE NO. LAK-90-1487R
 (REAR)



APPROACH SLAB PLAN
 BRIDGE NO. LAK-90-1487R
 (FORWARD)



SECTION A-A

- NOTES:
1. FOR ALL OTHER INFORMATION, SEE STANDARD DRAWING AS-1-81, SHEETS 1 & 2 OF 3.
 2. SPACING OF "C-BARS" AND "A-BARS" (SEE STANDARD DRAWING) TO BE ADJUSTED AT LONGITUDINAL JOINT AS REQUIRED.
 3. "B501 BARS" (SEE STANDARD DRAWING) SHALL NOT BE CONTINUOUS THROUGH THE LONGITUDINAL JOINT.
 4. SEE STANDARD DRAWING BP-3 FOR HOOK BOLT AND HOOK BOLT SPACING DETAILS TO BE USED ALONG LENGTH OF LONGITUDINAL JOINT.
 5. NOTATION: L.M.C.—LATEX MODIFIED CONCRETE