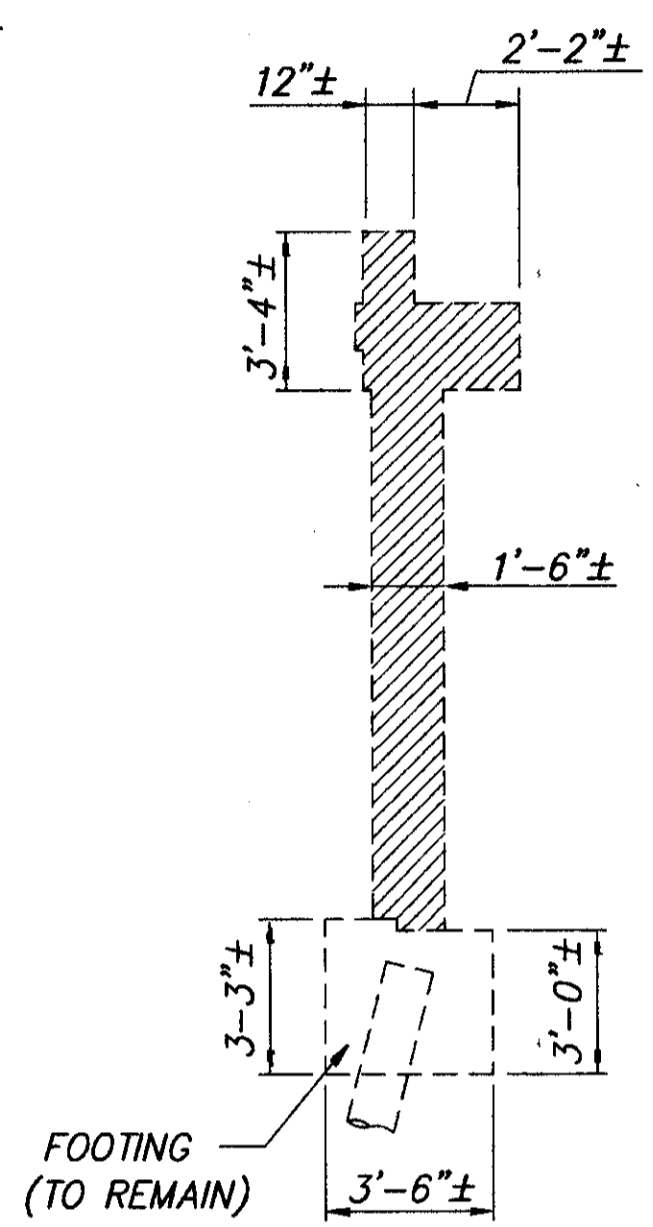
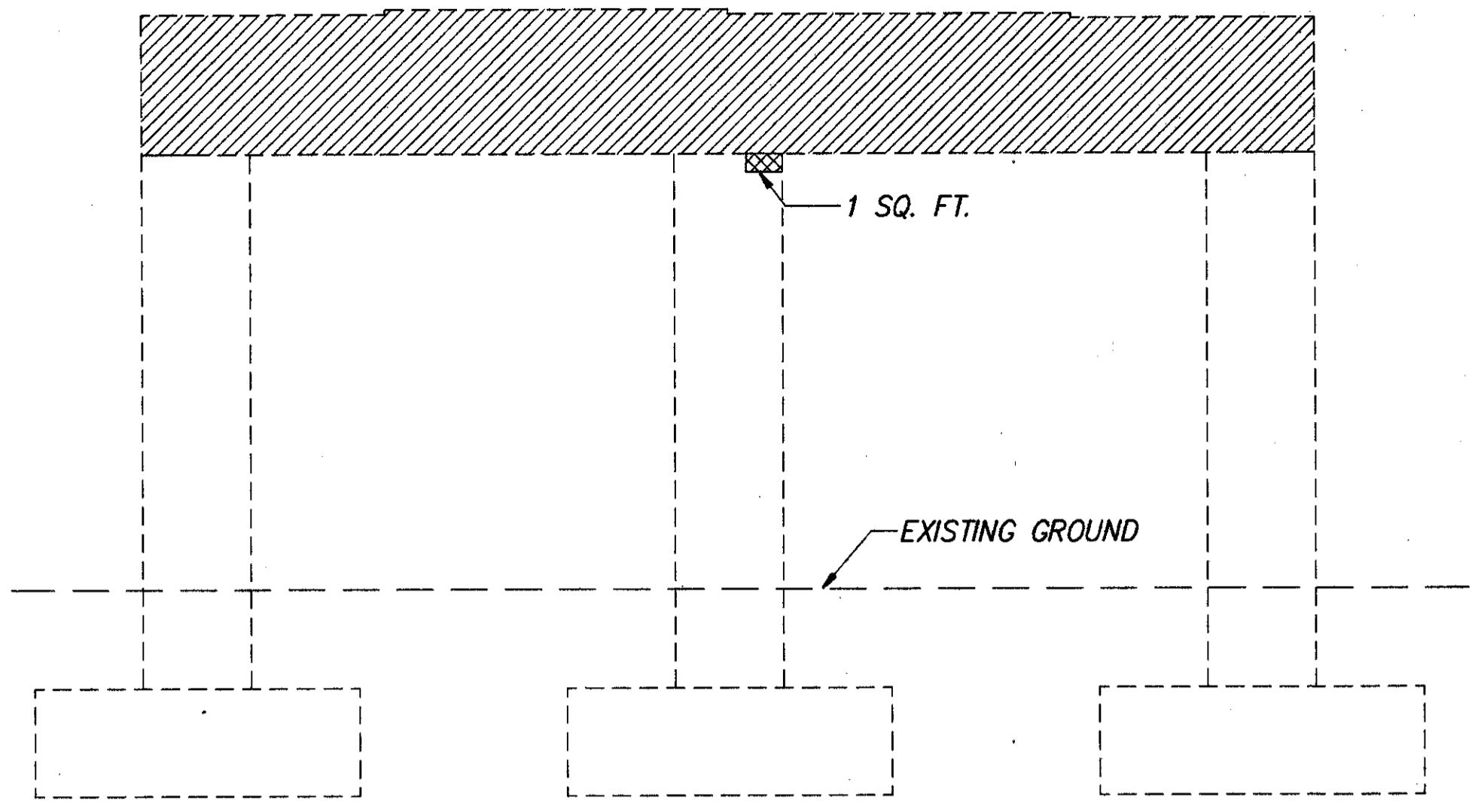


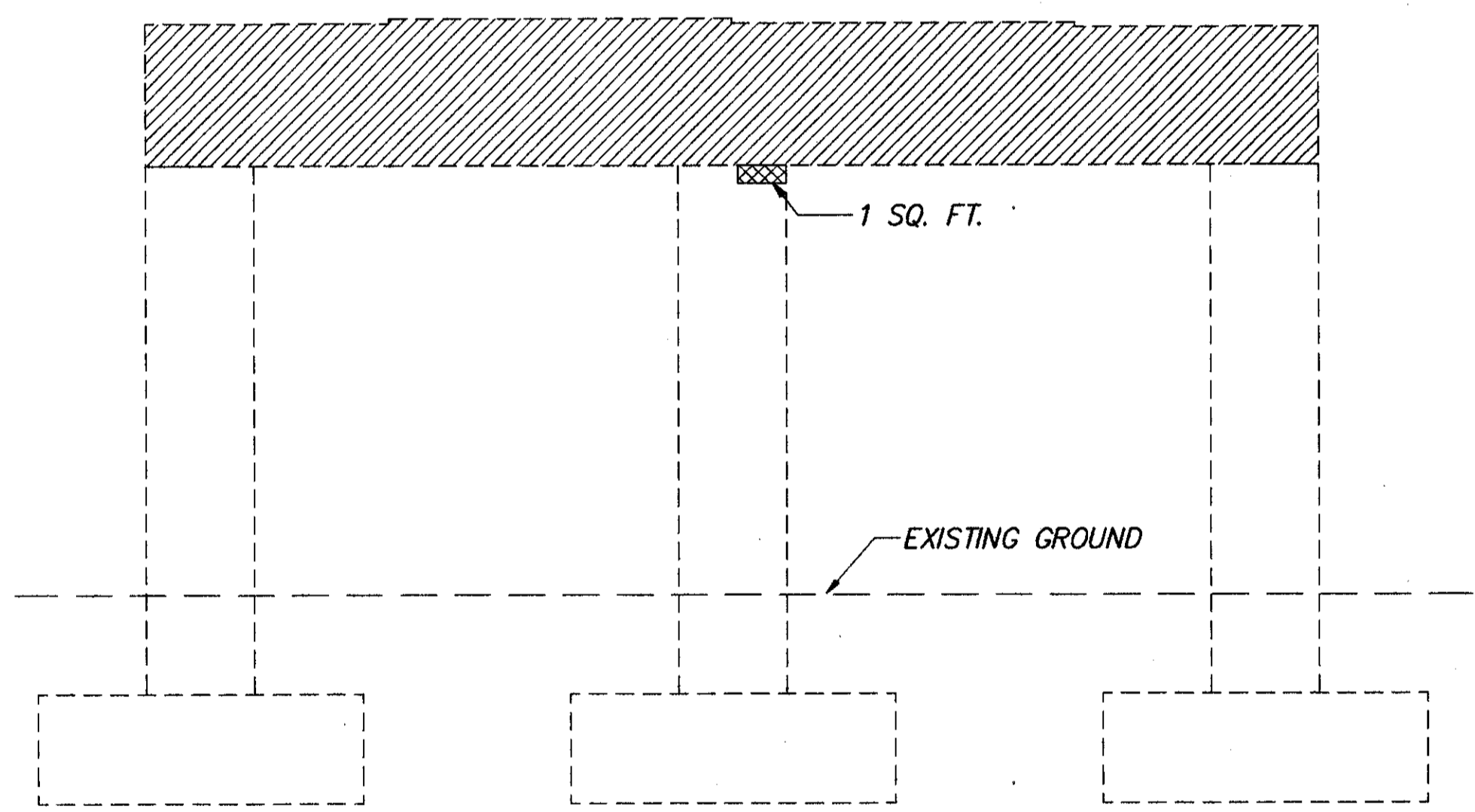
TRANSVERSE SECTION AT PIERS
(TYPICAL REMOVAL)



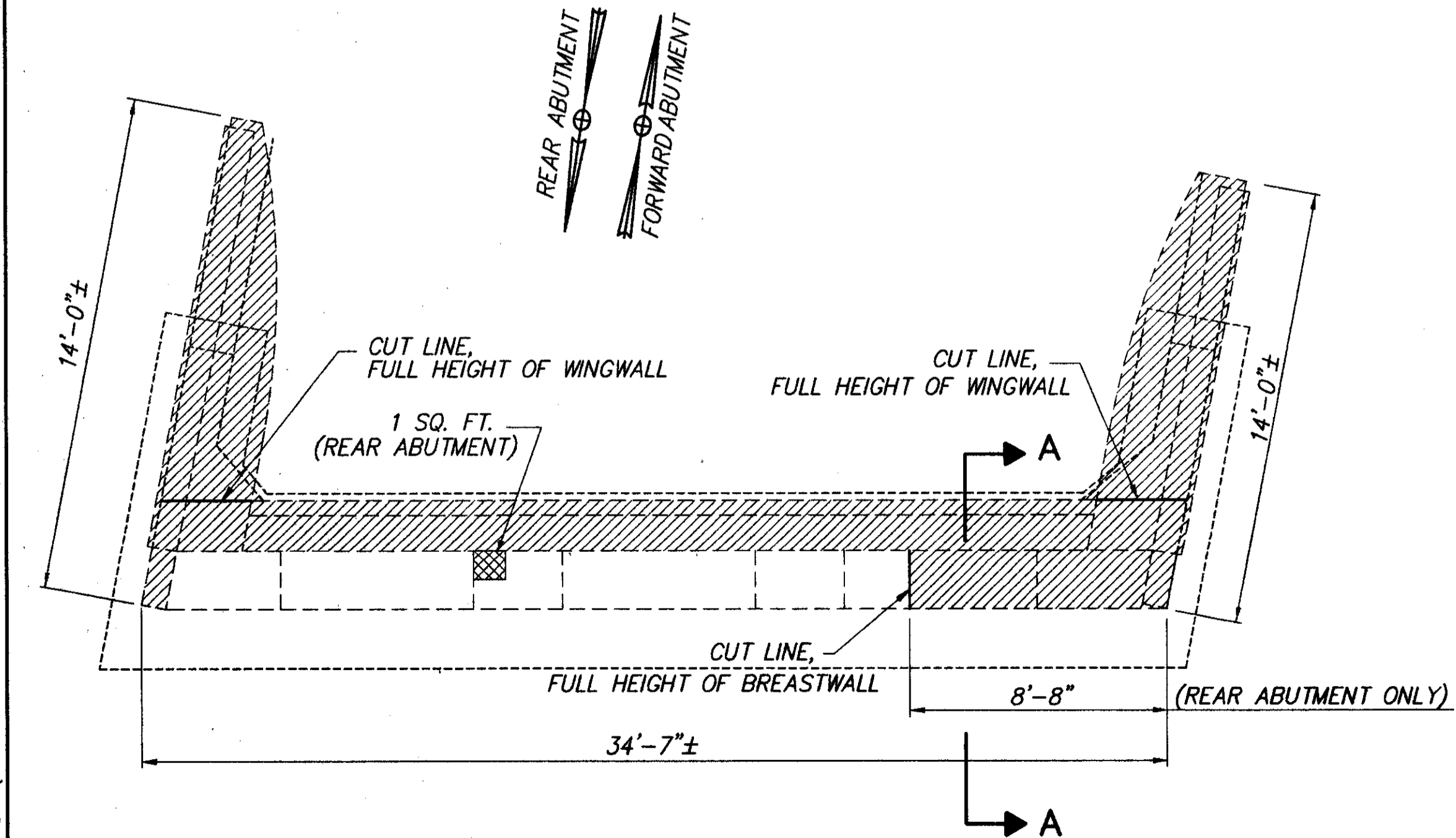
TYPICAL WINGWALL SECTION



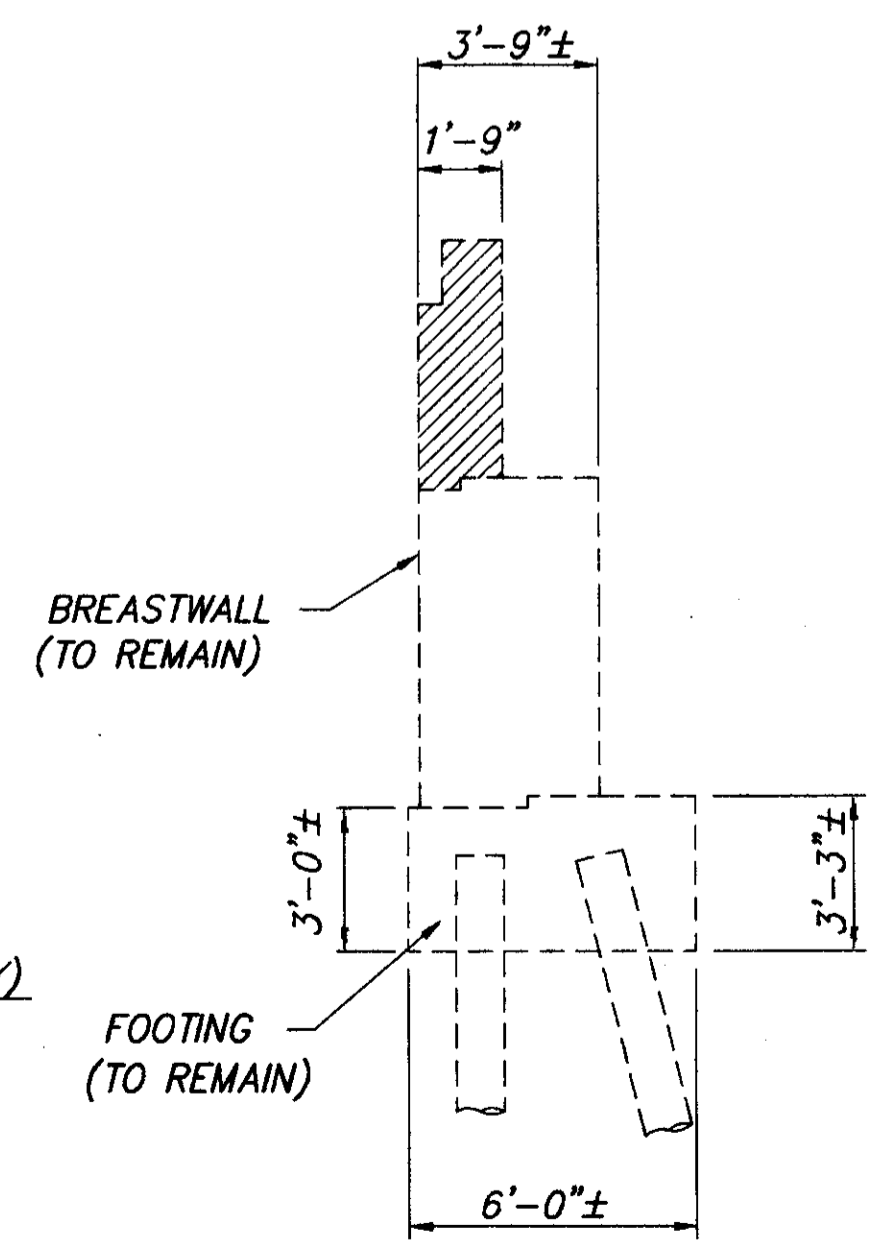
PIER 3
SOUTH ELEVATION



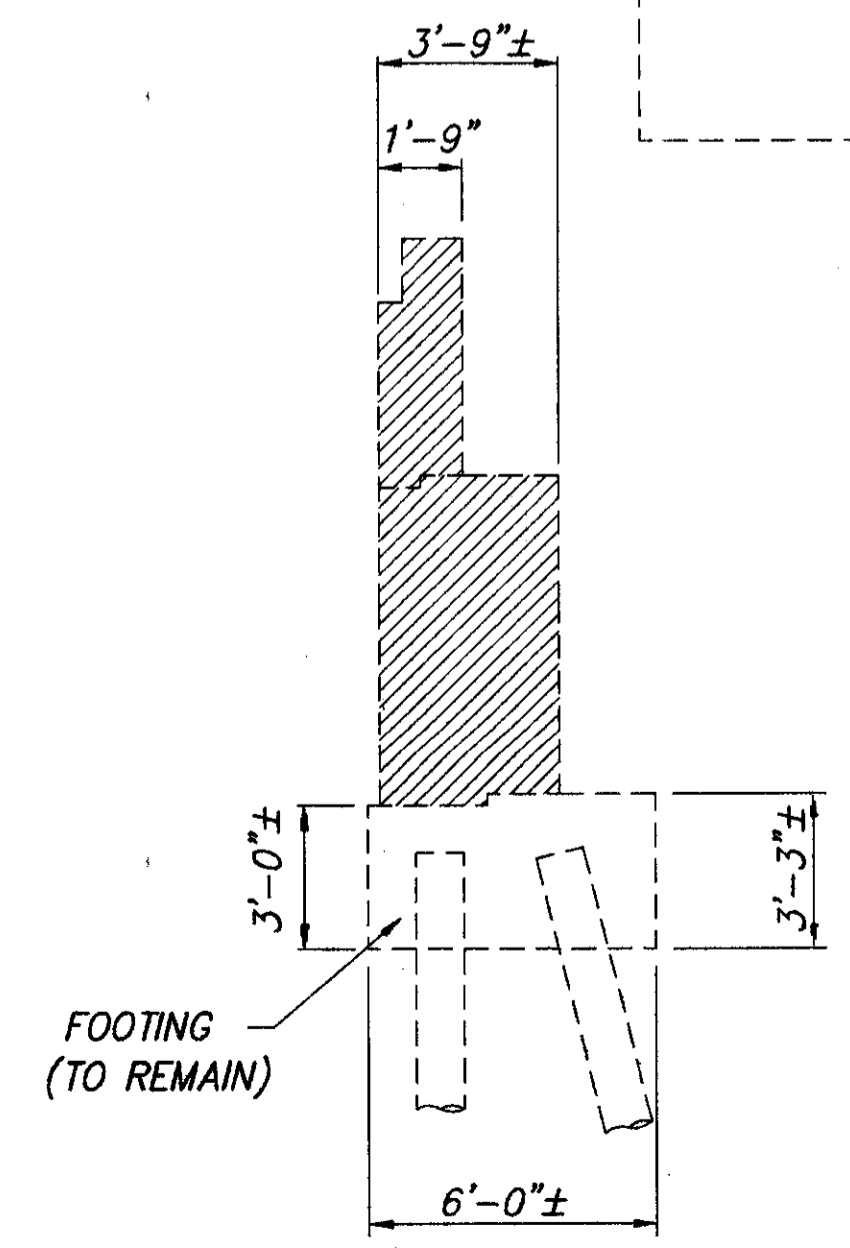
PIER 2
NORTH ELEVATION



TYPICAL ABUTMENT PLAN



TYPICAL ABUTMENT SECTION



SECTION A-A
(PART OF REAR ABUTMENT ONLY)

LEGEND:

- INDICATES PORTIONS OF STRUCTURES TO BE REMOVED PER ITEM 202.
- EXISTING AREAS TO BE REPAIRED USING ITEM 843 - PATCHING CONCRETE STRUCTURES WITH TROWELABLE MORTAR.

NOTES:

1. ITEM 843- PATCHING CONCRETE STRUCTURES: PHYSICAL INVENTORY OF MEASURED QUANTITIES OF DETERIORATION WAS PERFORMED IN APRIL 2001. ESTIMATED QUANTITIES HAVE BEEN INCREASED BY 50% OVER MEASURED QUANTITIES TO ALLOW FOR ADDITIONAL DETERIORATION. EXACT DIMENSIONS AND LOCATIONS OF PATCHES SHALL BE DETERMINED BY THE ENGINEER IN THE FIELD FOR FINAL PAY QUANTITIES.
2. SEE "PORTIONS OF STRUCTURE REMOVED, OVER 20 FOOT SPAN, AS PER PLAN" GENERAL NOTE FOR ADDITIONAL INFORMATION.
3. NOTATION: C.J.-CONSTRUCTION JOINT; TYP.-TYPICAL; SQ.FT.- SQUARE FOOT.

H:\CT\97125\BRIDGE\971251.DWG PLOT SCALE 1:48