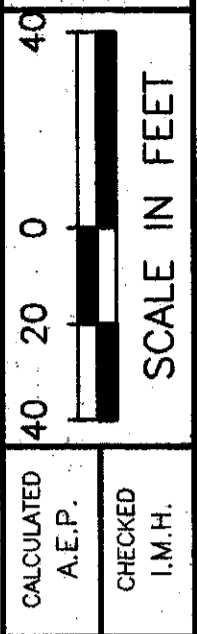
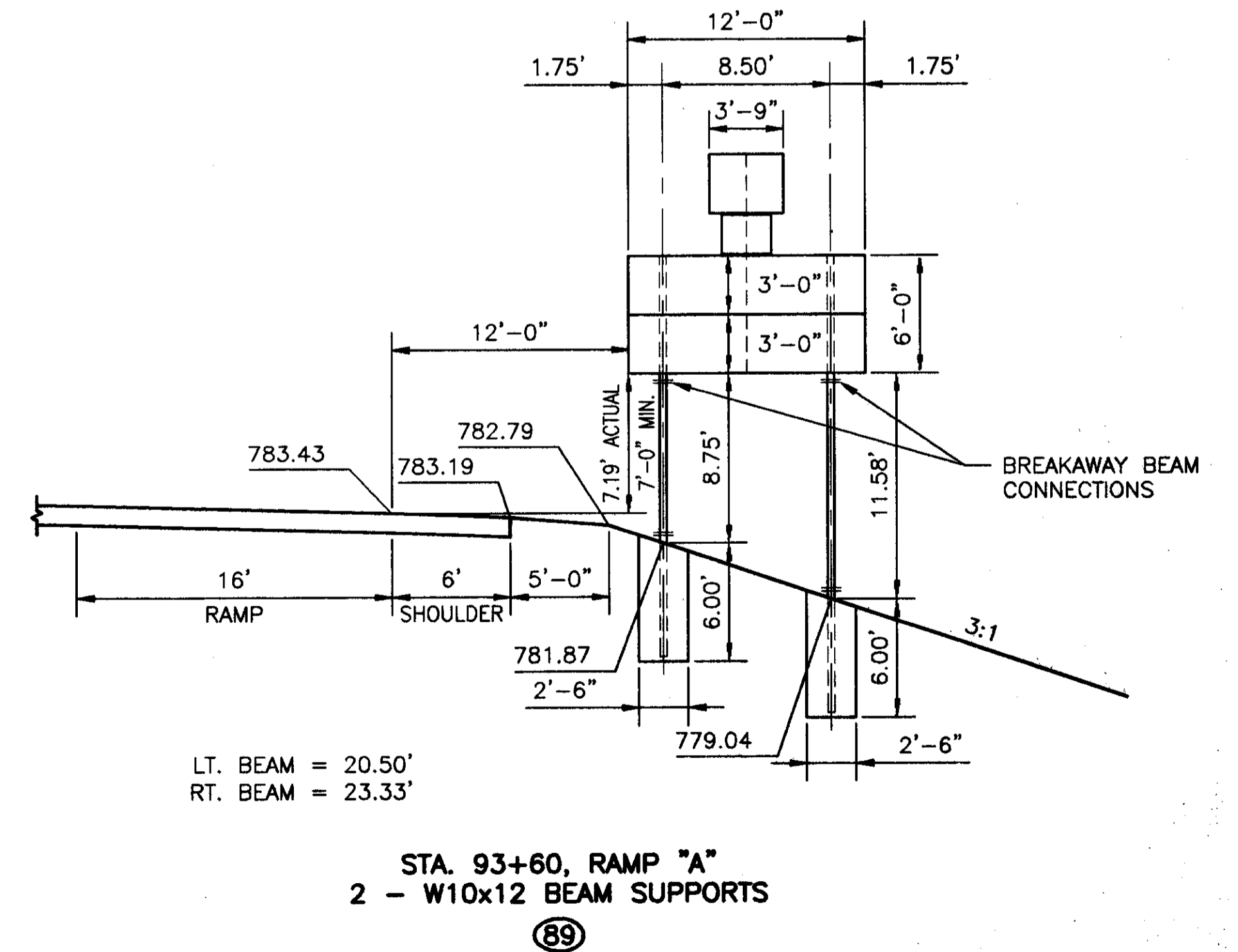
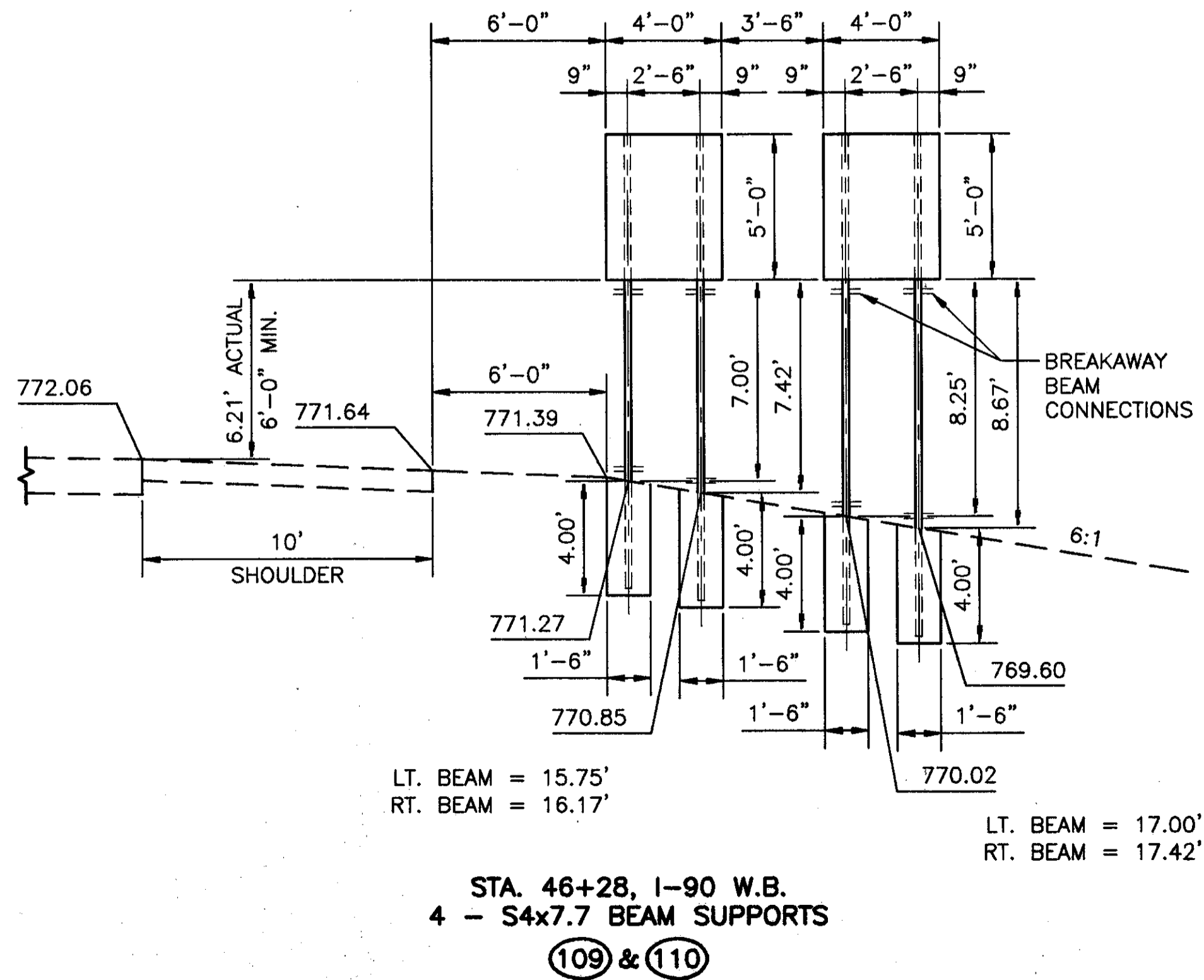
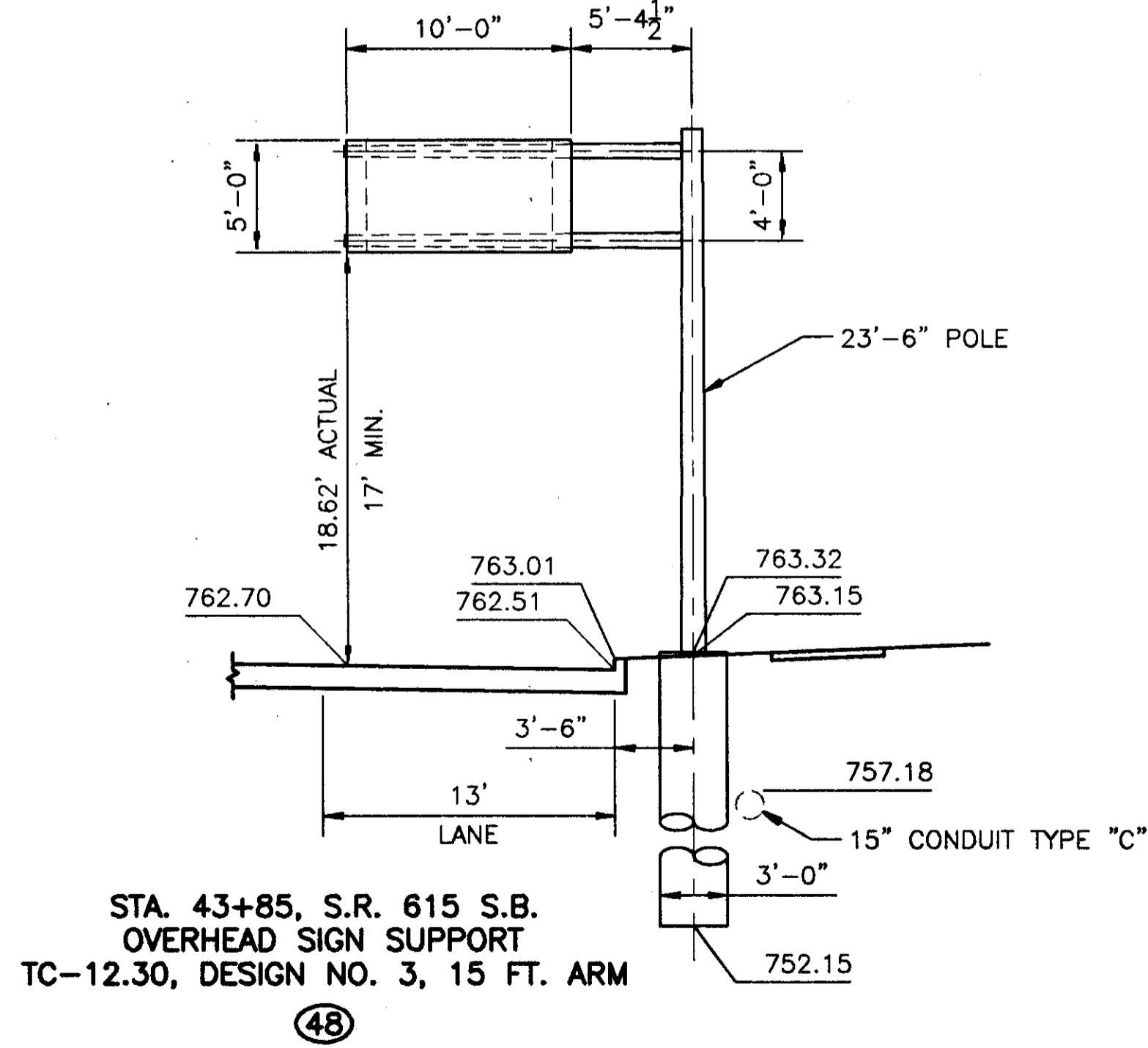
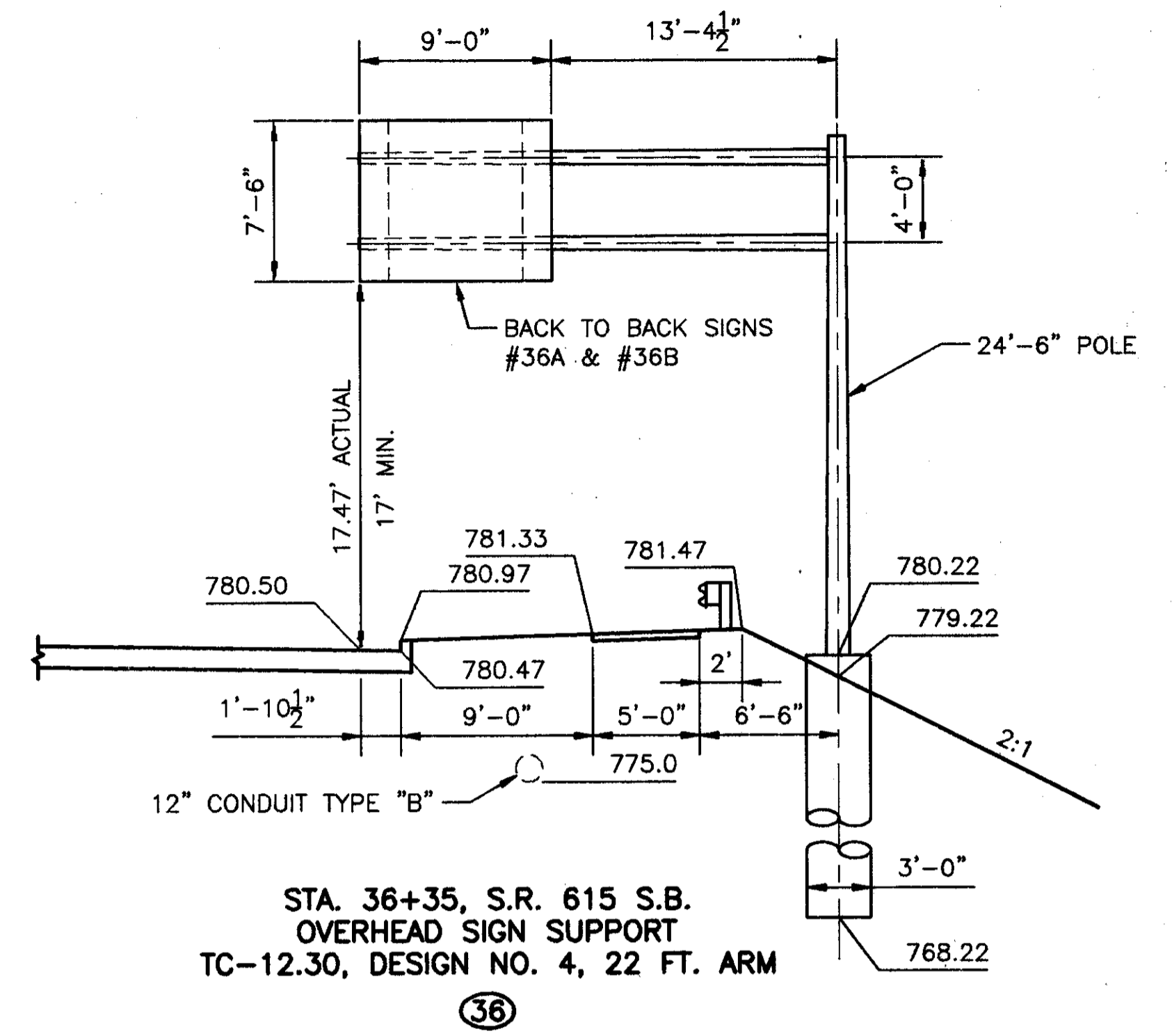
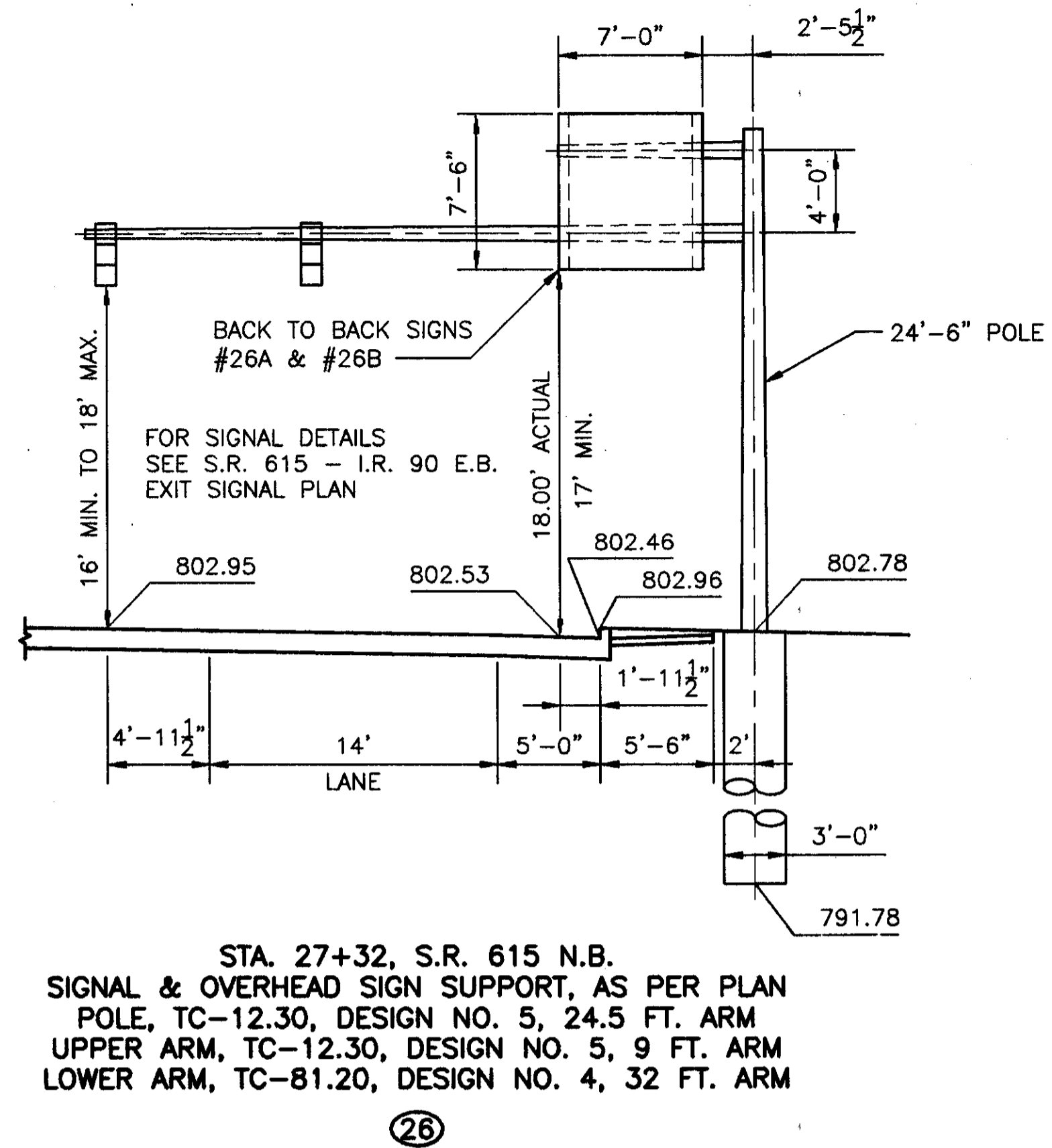
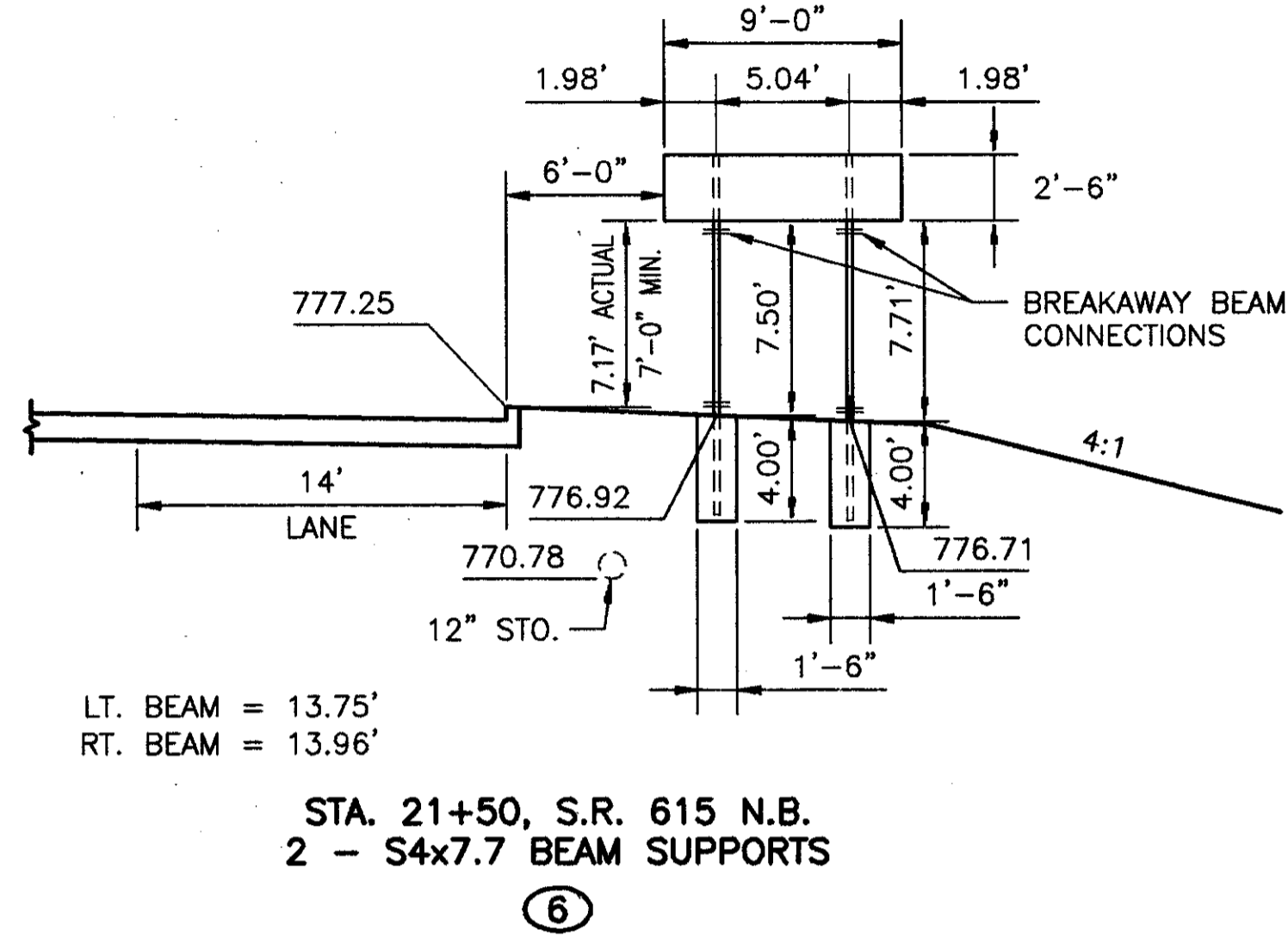


DATE: 10-09-01 - H:\CT\97125\SDSK\TRAFFIC\971250HS.DWG - PLOT SCALE = 1 : 1 (PLOT-1)



OVERHEAD AND GROUND MOUNTED SIGN ELEVATION VIEWS
S.R. 615

LAK-IR90/SR615-9.26/1.51