

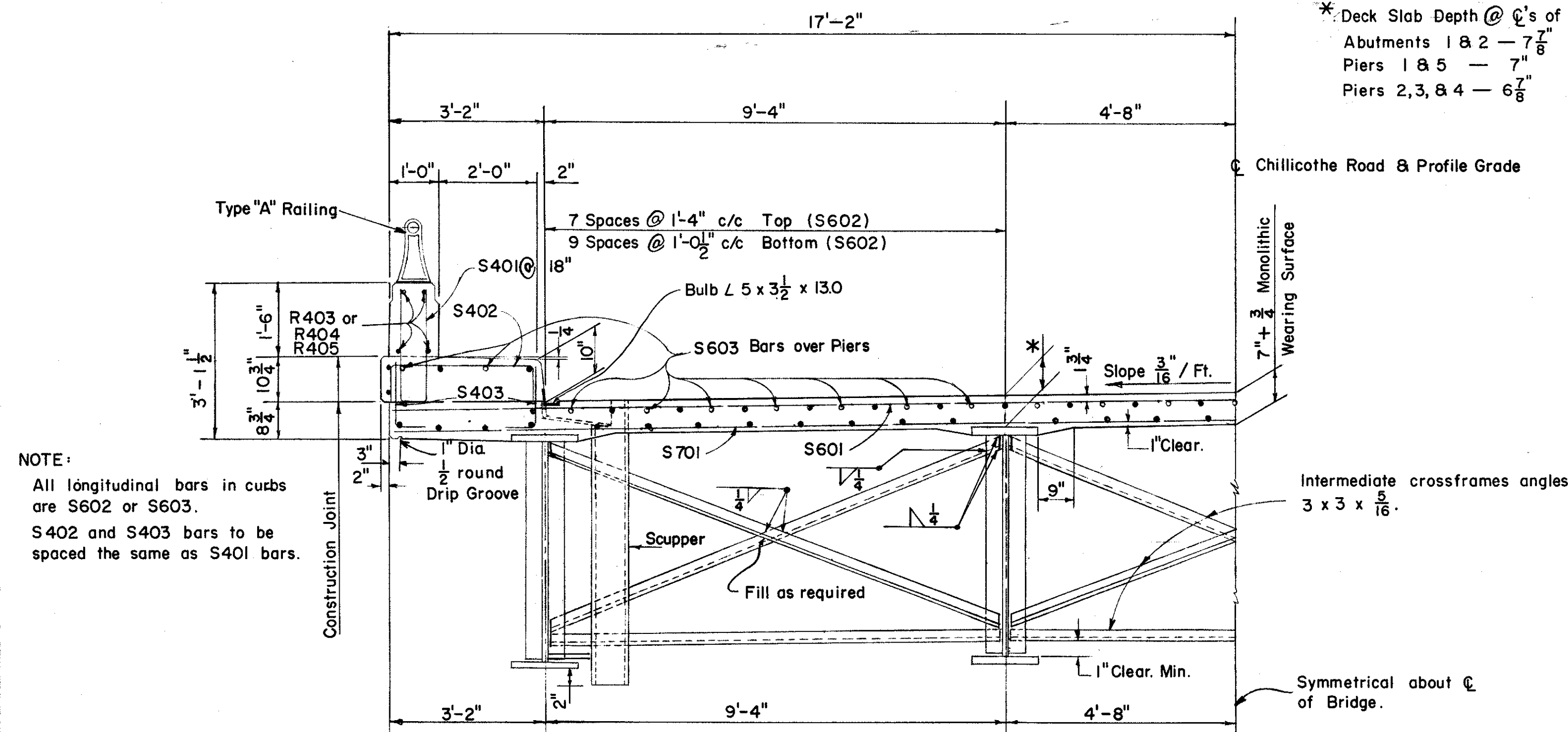
MICROFILMED
JUN 27 1985

FED. RD. DIVISION	STATE	PROJECT	
2	OHIO		

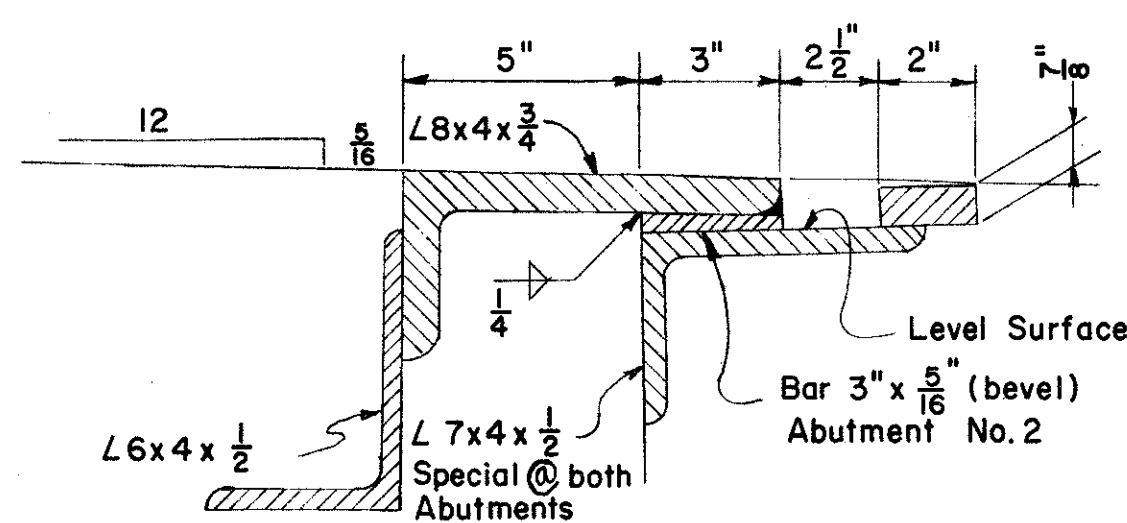
248
277

LAKE COUNTY
SEC. LAK-1-6.97

* Deck Slab Depth @ ϕ 's of bearing
Abutments 1 & 2 - $7\frac{7}{8}$ "
Piers 1 & 5 - $7\frac{7}{8}$ "
Piers 2, 3, & 4 - $6\frac{7}{8}$ "

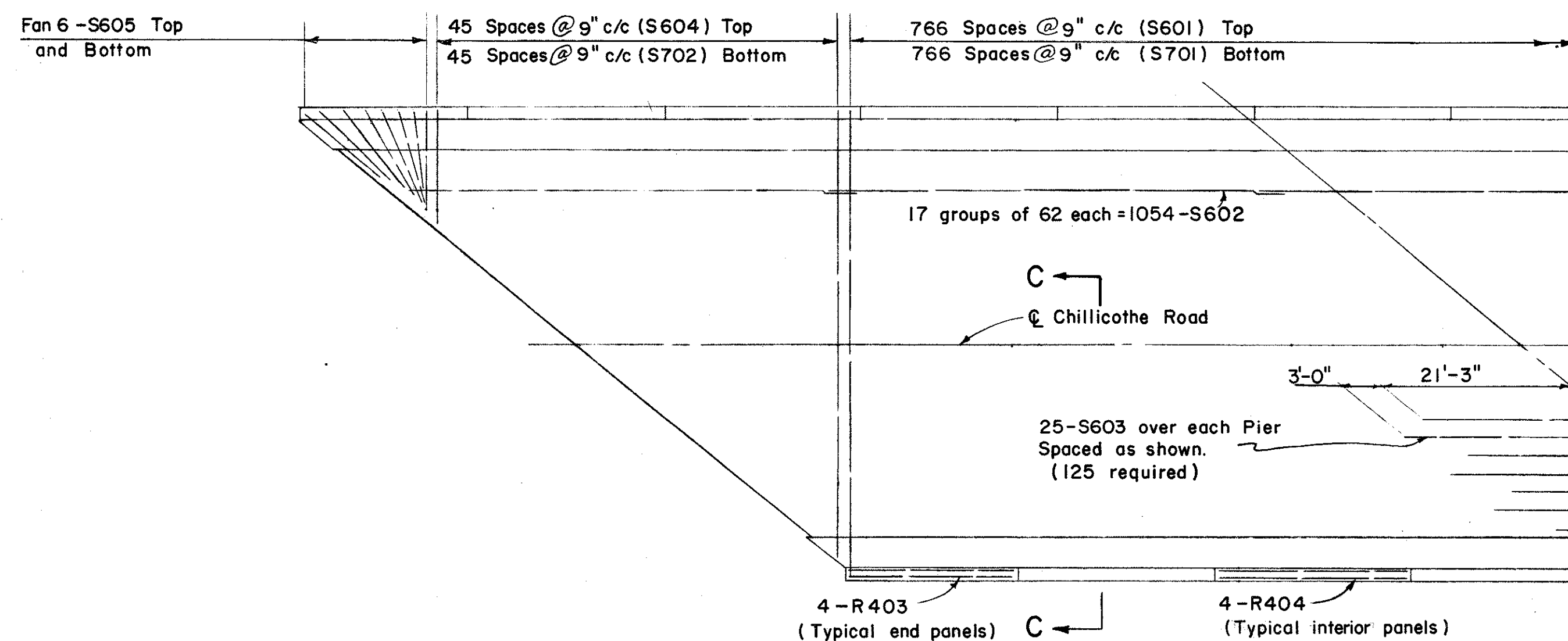


NOTE:
All longitudinal bars in curbs are S602 or S603.
S402 and S403 bars to be spaced the same as S401 bars.

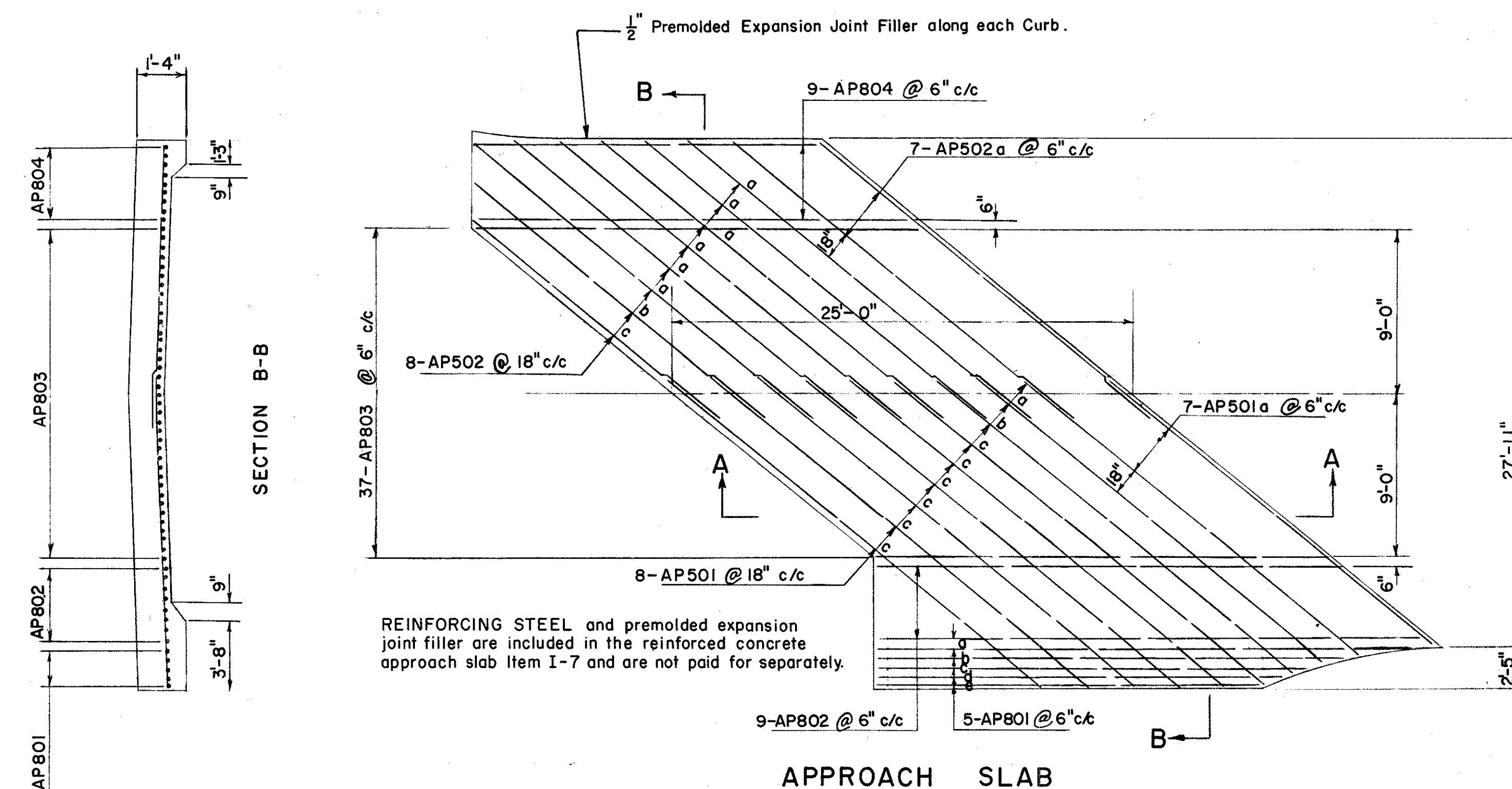


END DAM DETAIL

(For details not shown, see Standard Drawing CSB-2-56)

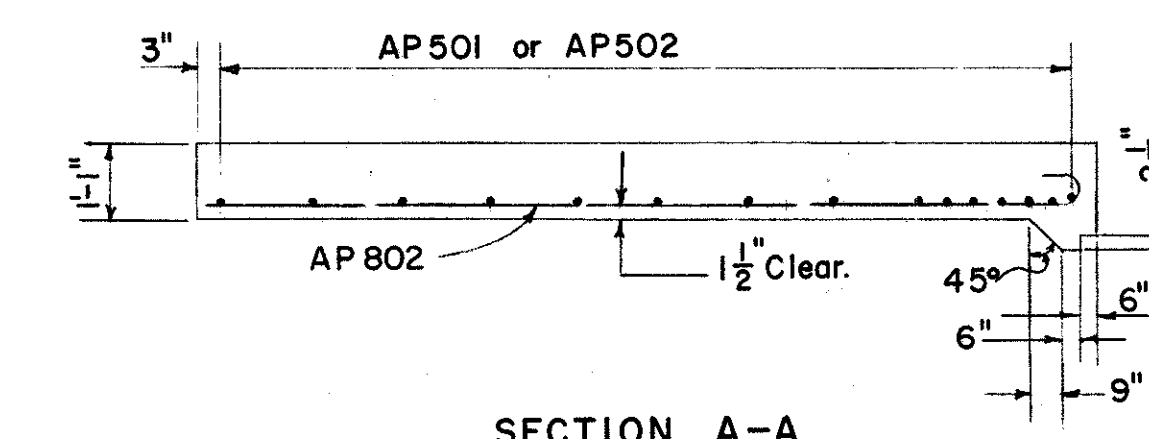


DECK SLAB DETAIL



REINFORCING STEEL and preformed expansion joint filler are included in the reinforced concrete approach slab Item I-7 and are not paid for separately.

APPROACH SLAB



SECTION A-A

NOTES

- * DECK SLAB DEPTH: This is the nominal dimension. The quantity of deck concrete to be paid for shall be based on this dimension, even though deviation from it may be necessary because the top flange of the girder may not have the exact camber or conformation required to place it parallel to the finished grade.
- * CONCRETE DECK PLACING: In order to facilitate water curing of the concrete of the deck slab, the placing of concrete shall progress upgrade. The slab may be placed in sections, between transverse construction joints which are parallel to the transverse reinforcing steel and are located near the center of any span.
- * CONCRETE shall be Class "C".
- * CONCRETE and reinforcing steel above parapet construction joint included with railing for payment.

SEC. C-31

PREPARED BY
CAPITOL ENGINEERING ASSOCIATES, DILLSBURG, PA.
FOR

STATE OF OHIO
DEPARTMENT OF HIGHWAYS
DIVISION OF DESIGN AND CONSTRUCTION
BUREAU OF BRIDGES

DECK DETAILS
BRIDGE NO. LAK-1-0906
S.R.1 UNDER CHILLICOTHE ROAD
LAKE COUNTY.

STA. 123 + 07.00

DESIGNED	DRAWN	TRACED	CHECKED	REVIEWED	DATE	REVISED