

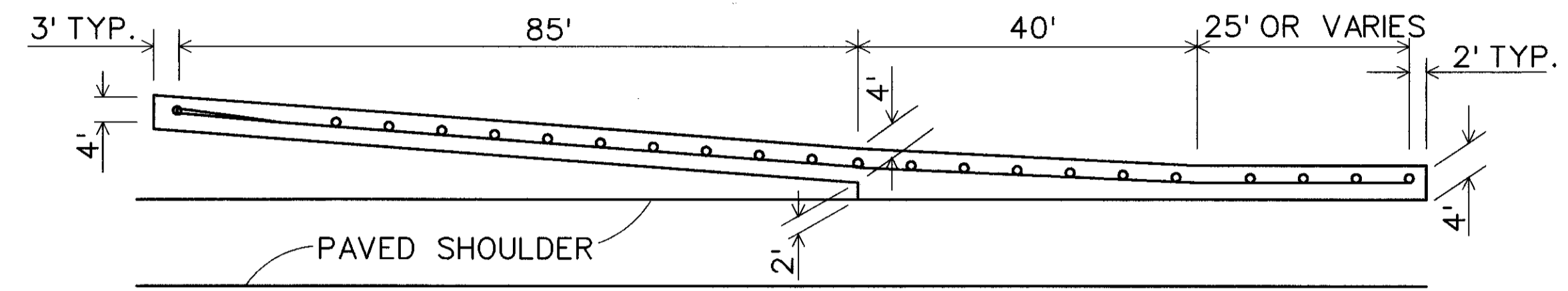
MISCELLANEOUS DETAILS

LAKE COUNTY
LAK-90-6.71

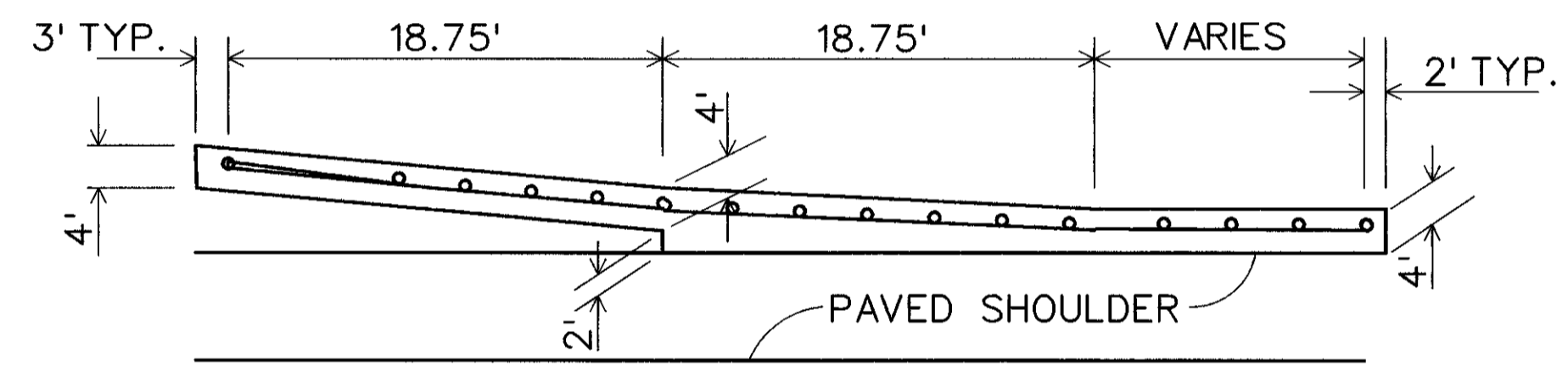
OHIO
FHWA
REGION 5

171
182

THE FOLLOWING DETAILS AND SPECIFICATIONS
SHALL APPLY TO THIS ITEM OF WORK

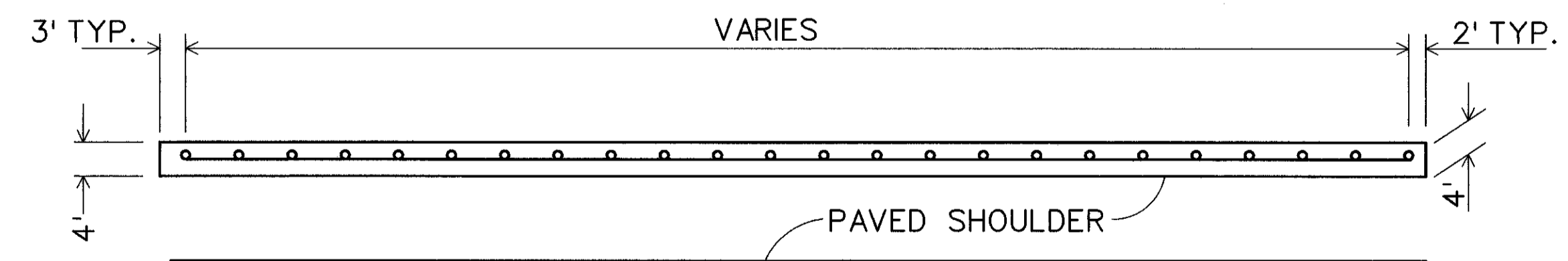


ITEM 404 FOR EROSION CONTROL WITH 8.31' GUARDRAIL FLARE



ITEM 404 FOR EROSION CONTROL WITH 4' GUARDRAIL FLARE

NOTE: A 4' WIDE STRIP OF ITEM 404 SHALL BE CONSTRUCTED UNDER
ALL PROPOSED GUARDRAIL.



ITEM 404 FOR EROSION CONTROL WITHOUT GUARDRAIL FLARE