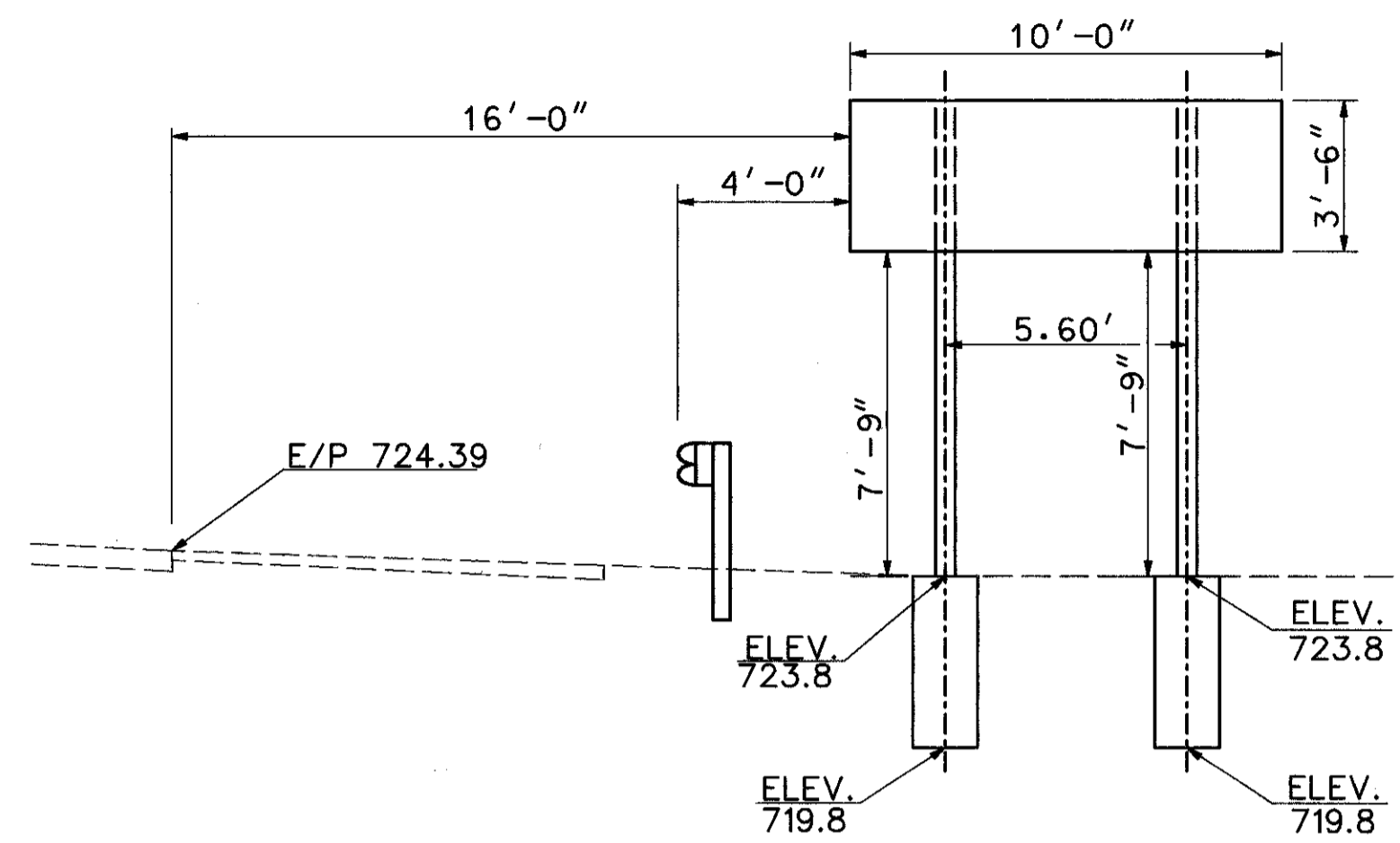
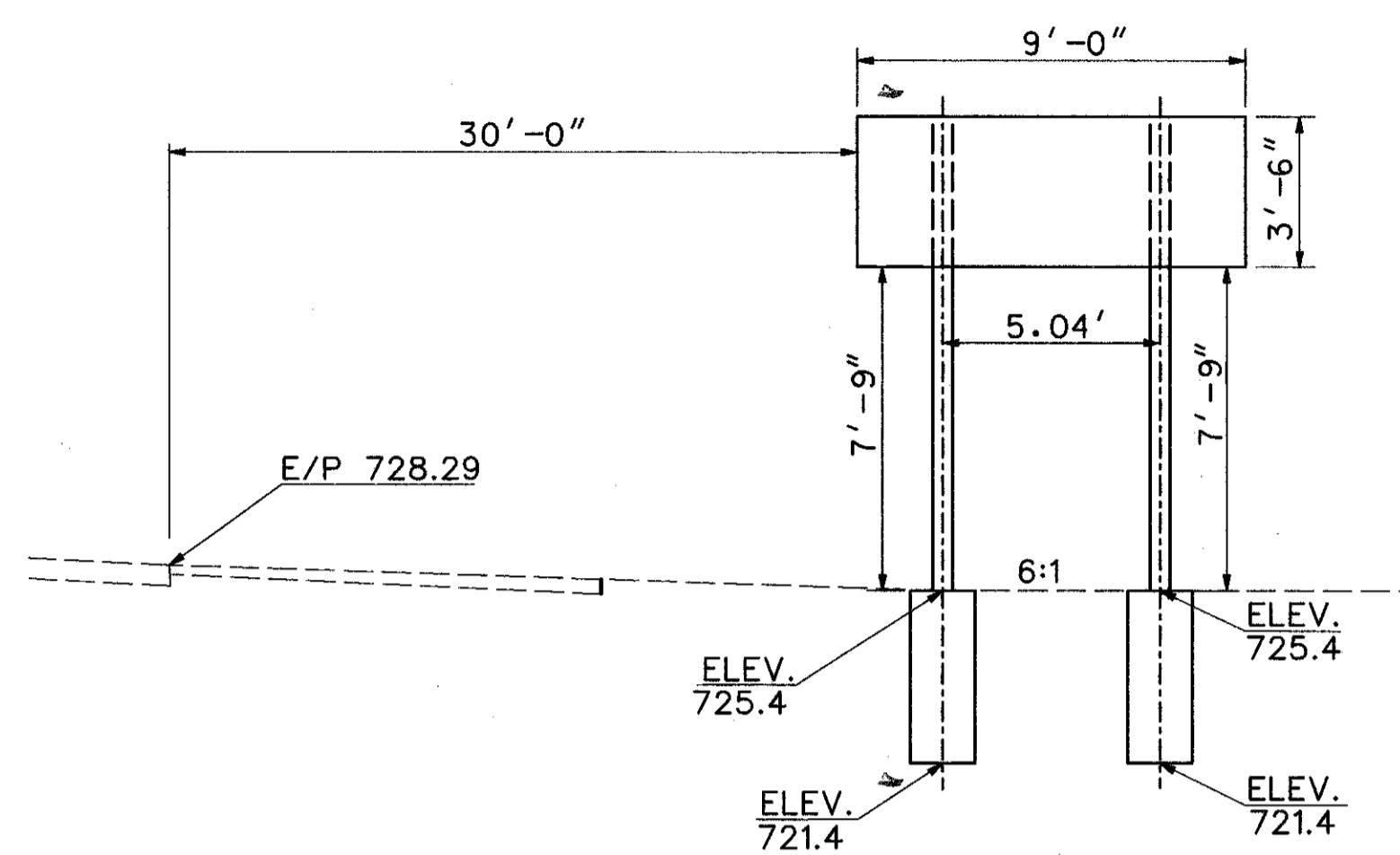


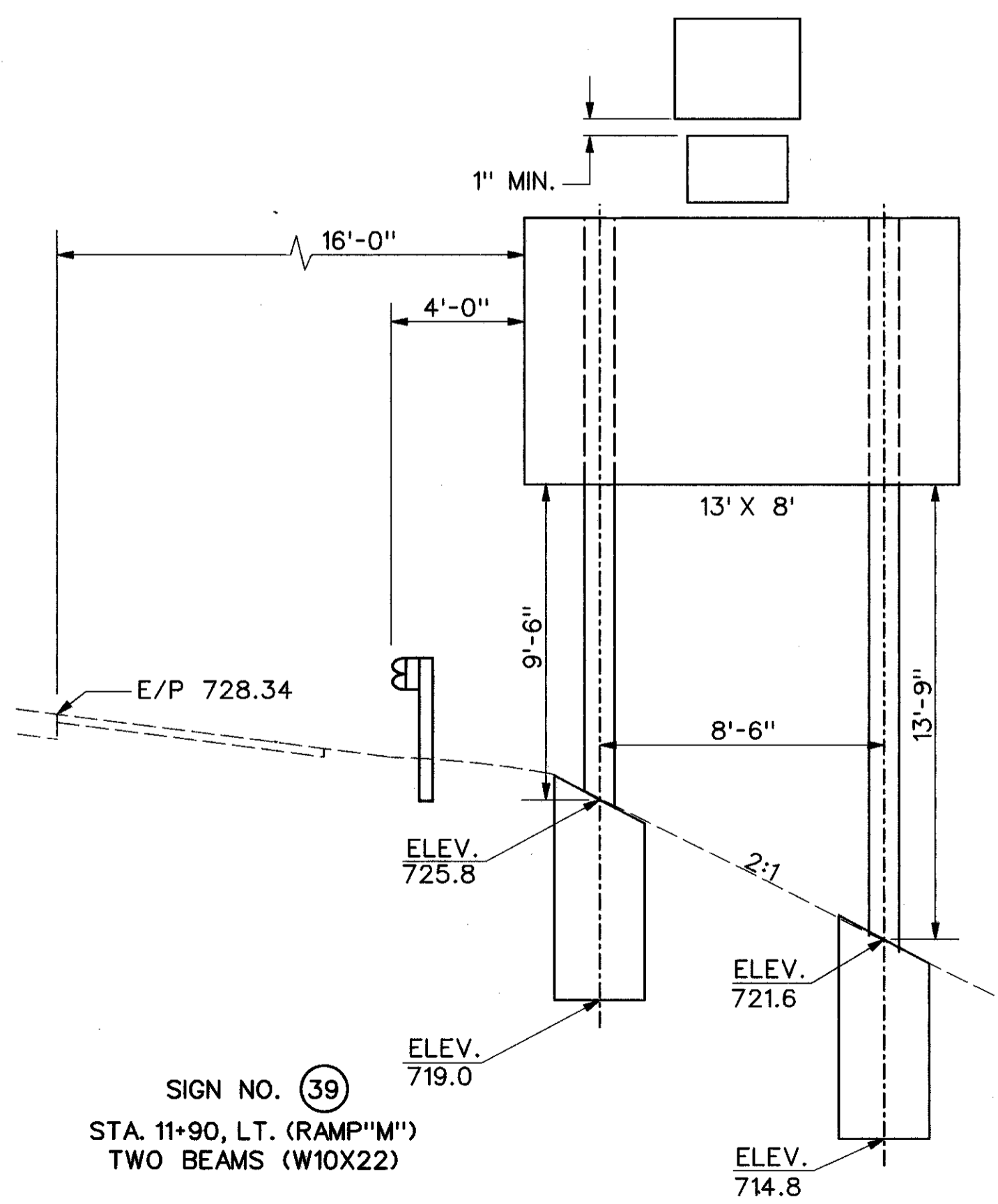
SIGN NO. 26  
STA. 12+50, RT. (RAMP"N")  
TWO BEAMS (W8X18)  
(BREAKAWAY)



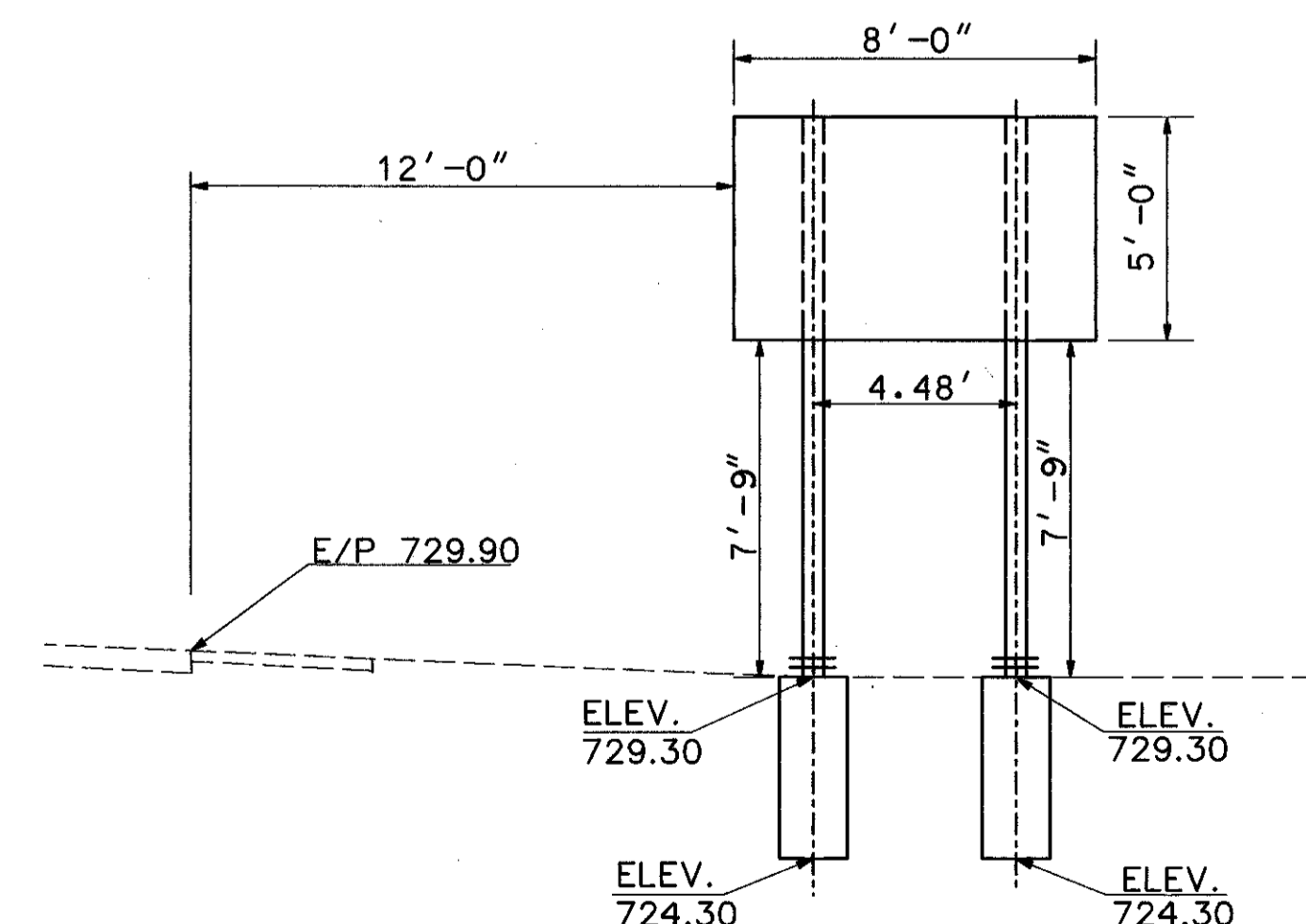
SIGN No. 31  
STA. 359+20, WB RT.  
TWO BEAMS (S4 X 7.7)



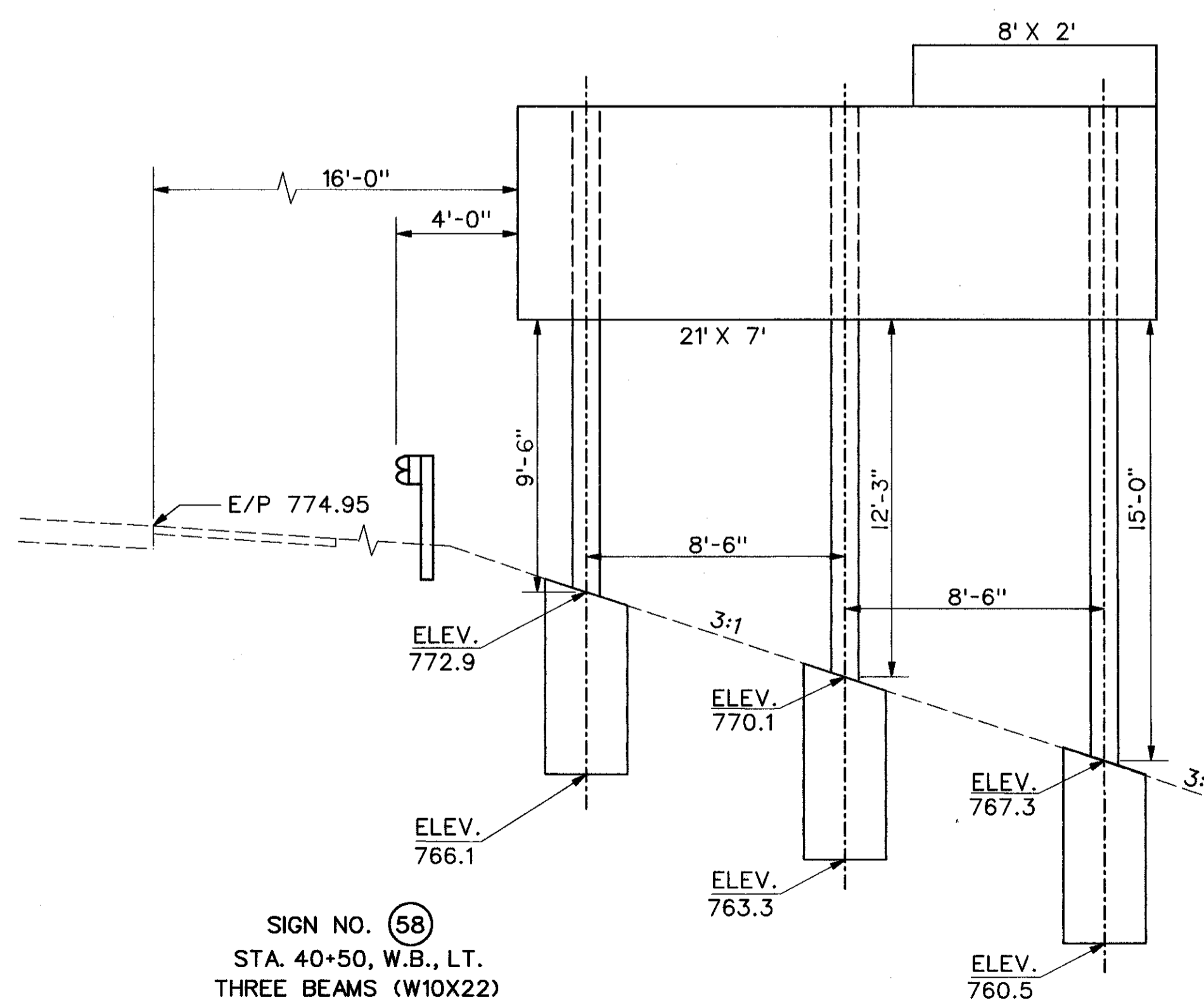
SIGN No. 33  
STA. 360+90, EB RT.  
TWO BEAMS (S4 X 7.7)  
(BREAKAWAY)



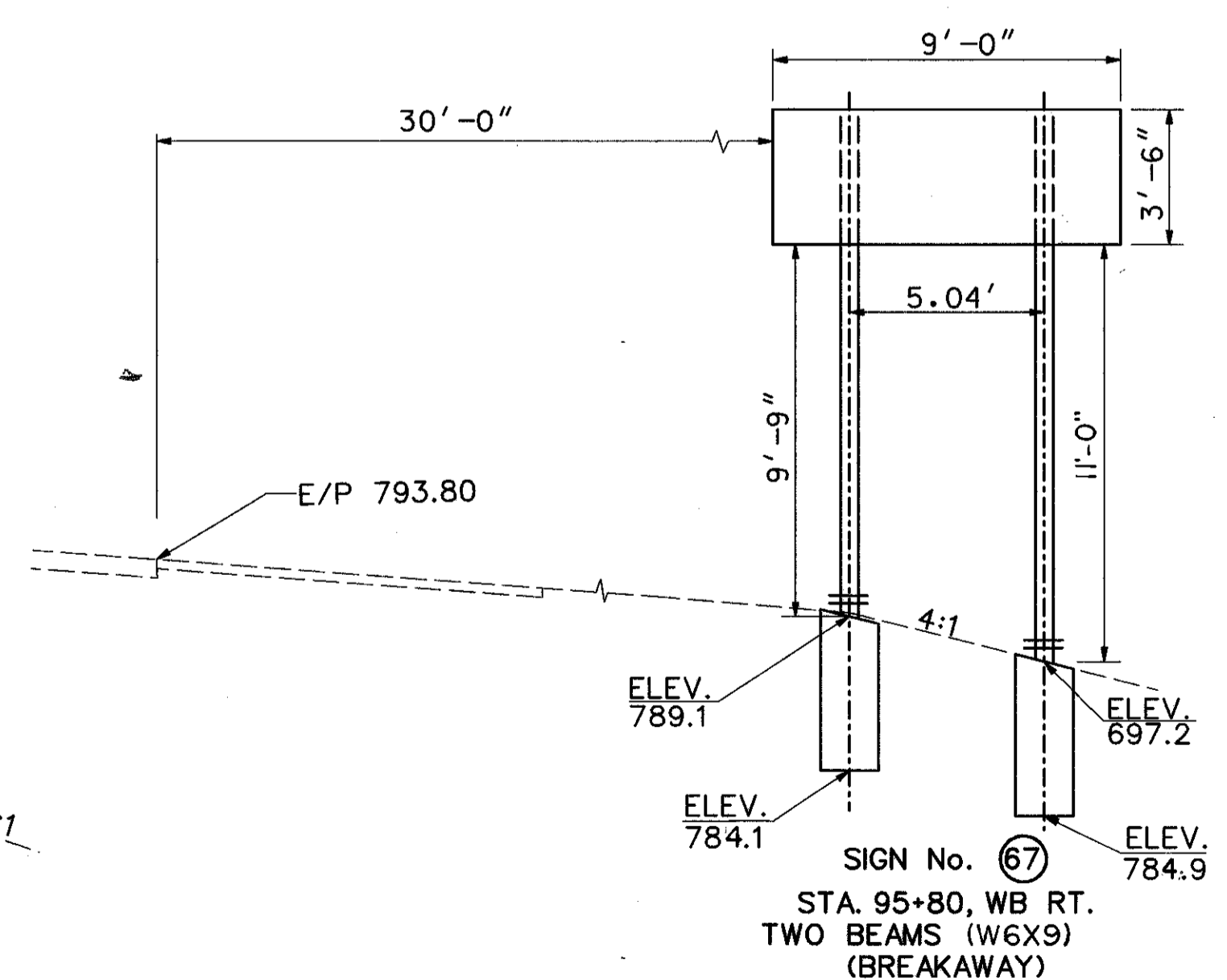
SIGN NO. 39  
STA. 11+90, LT. (RAMP"M")  
TWO BEAMS (W10X22)



SIGN No. 41  
STA. 365+38, WB RT.  
TWO BEAMS (W6X9)  
(BREAKAWAY)



SIGN NO. 58  
STA. 40+50, W.B., LT.  
THREE BEAMS (W10X22)



SIGN No. 67  
STA. 95+80, WB RT.  
TWO BEAMS (W6X9)  
(BREAKAWAY)

T:\DGN\LAK90\TRAFFCON\574.TED.DGN

T:\DGN\LAK90\TRAFFCON\574.TED.DGN