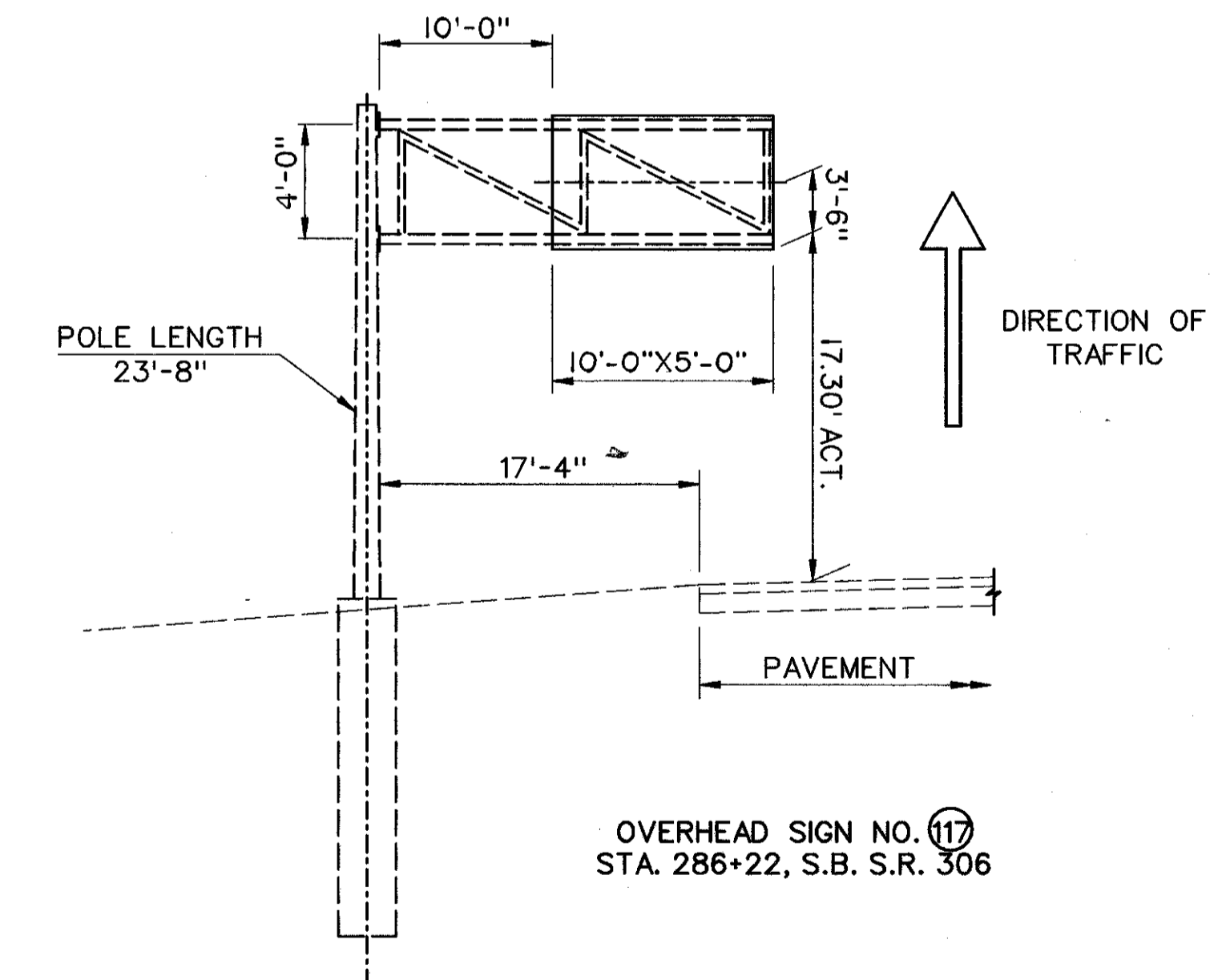
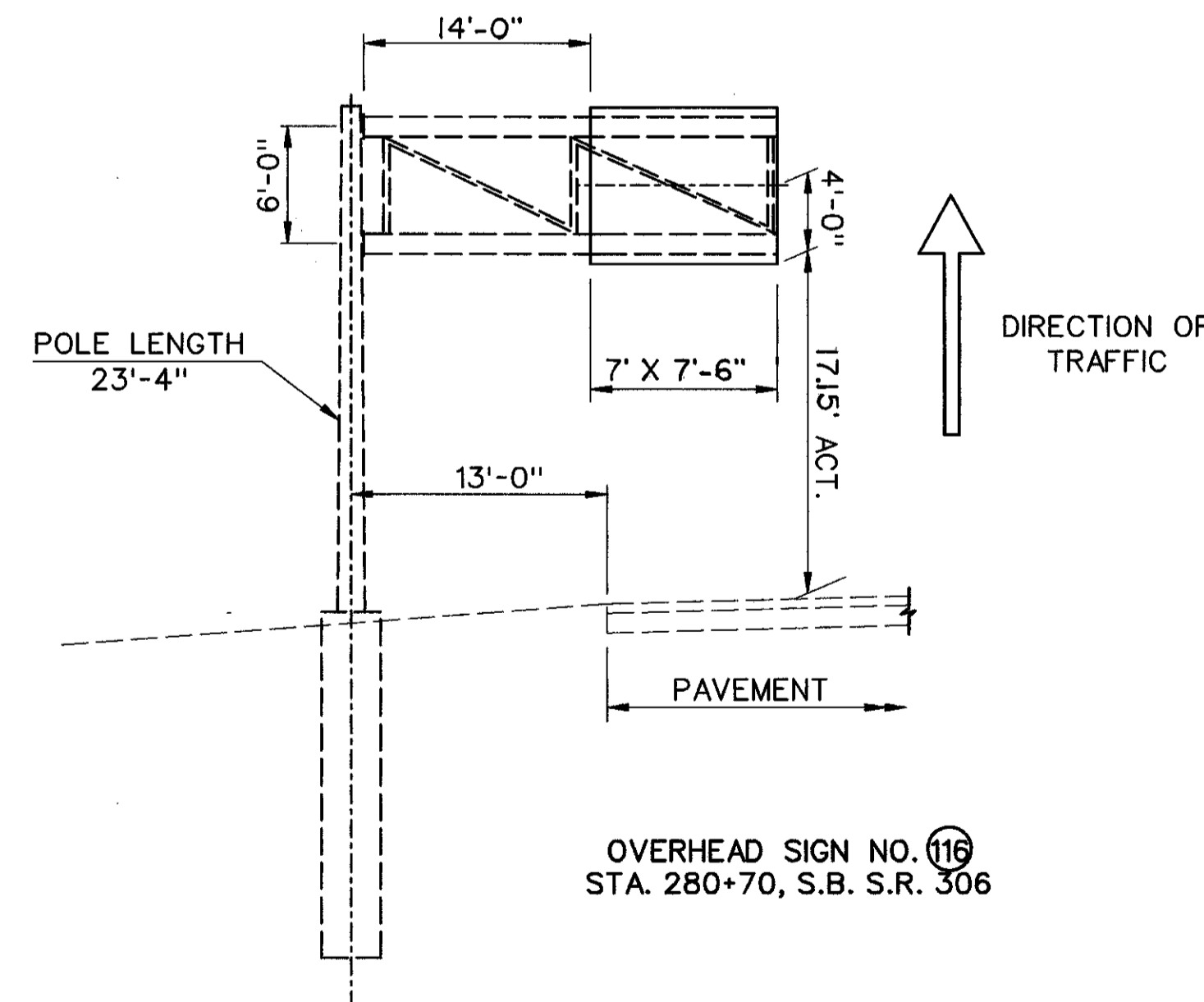
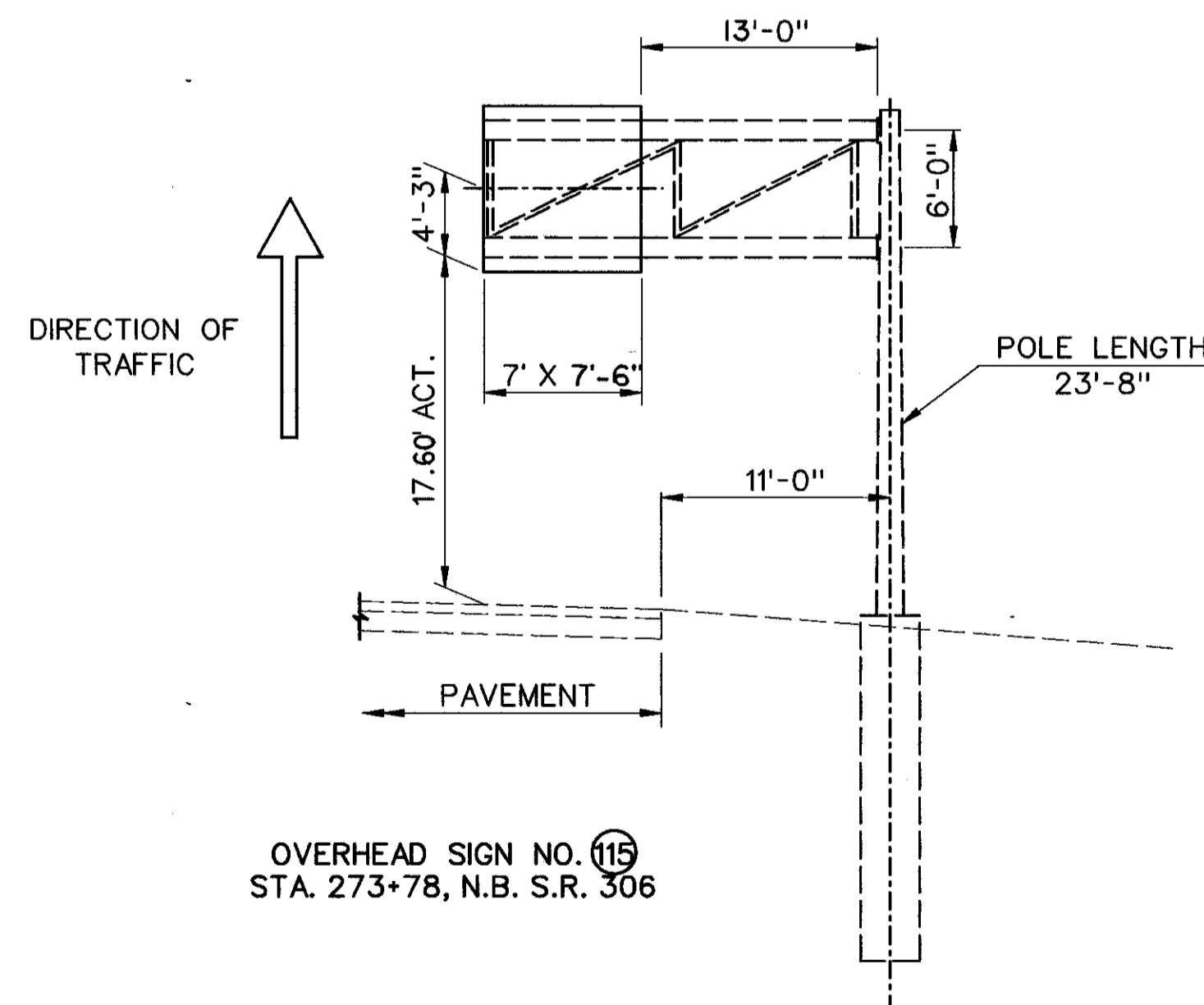


NOTE: 1. ELEVATIONS INCLUDE PROPOSED RESURFACING.



T:\ADG\LAKE\TRAFFCON\5774\FEB.DGN

T:\ADG\LAKE\TRAFFCON\5774\FEB.DGN