

# PLAN SHEET

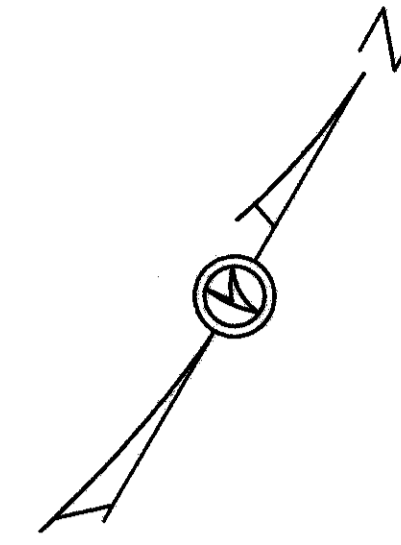
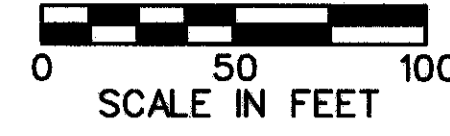
LAKE COUNTY  
LAK-90-6.71

OHIO  
FHWA  
REGION 5

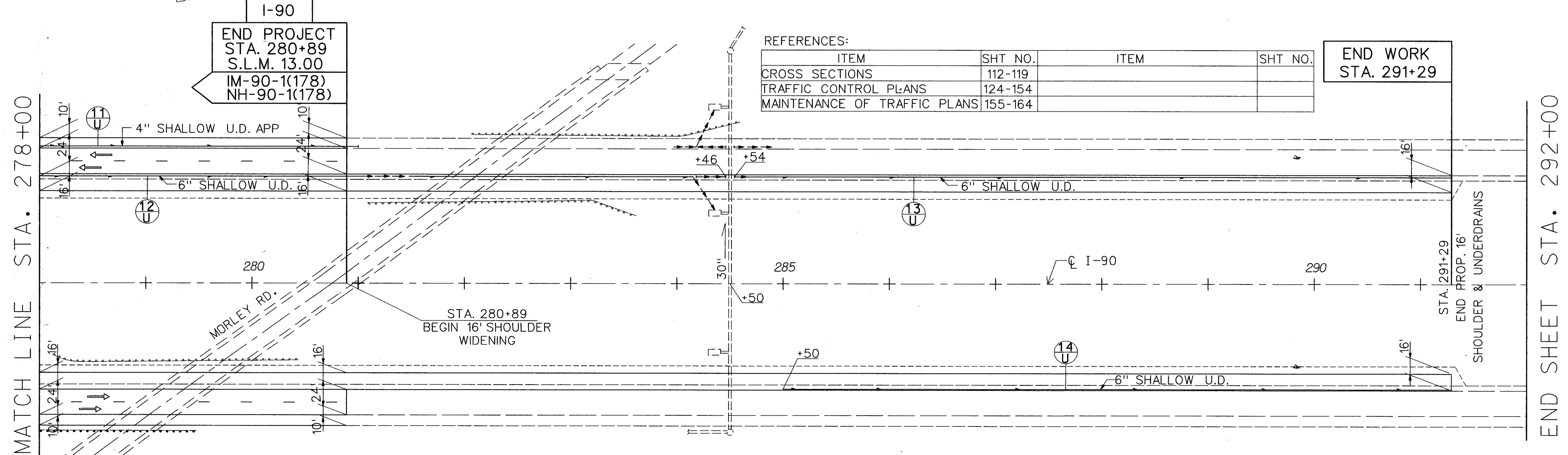
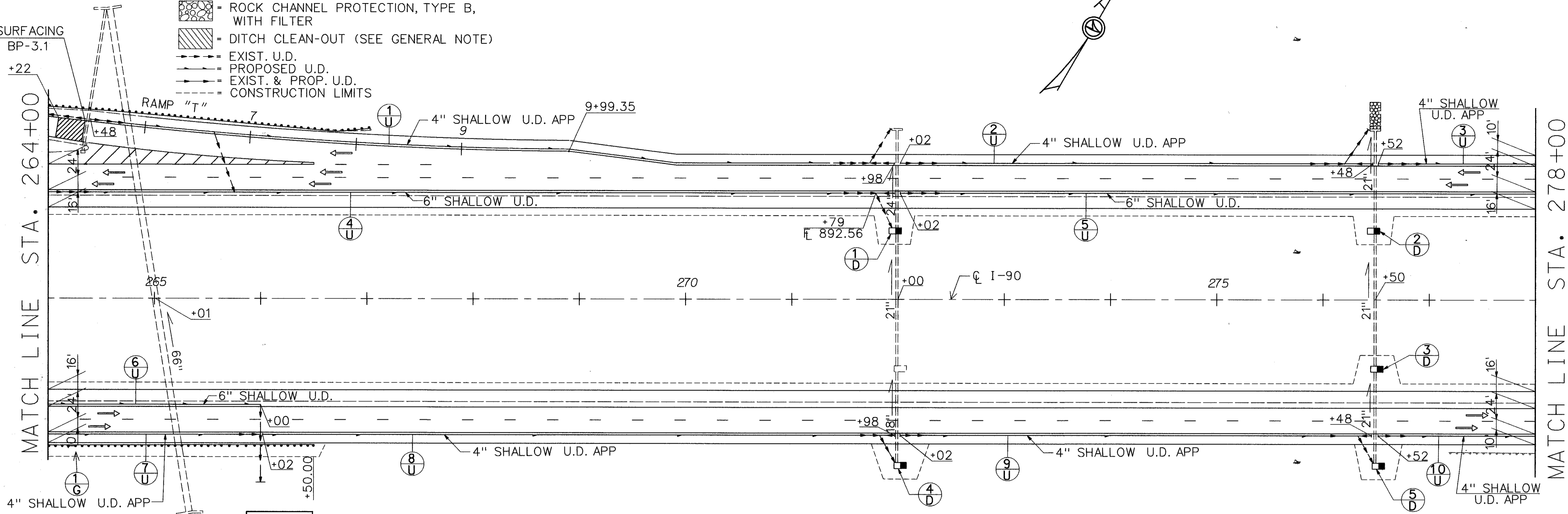
33  
182

**LEGEND:**

- ○ = EXISTING C.B. OR M.H.
- ● = C.B. OR M.H. ADJUSTED/RECONSTRUCTED TO GRADE AS PER PLAN
- ● = NEW C.B. OR M.H.
- ▨ = NEW C.B. OR M.H. CASTING
- ▨ (with dots) = ROCK CHANNEL PROTECTION, TYPE B, WITH FILTER
- ▨ (with diagonal lines) = DITCH CLEAN-OUT (SEE GENERAL NOTE)
- = EXIST. U.D.
- - - = PROPOSED U.D.
- · - · - = EXIST. & PROP. U.D.
- (dashed) = CONSTRUCTION LIMITS



+47 BEGIN RESURFACING  
FEATHER AS BP-3.1



**REFERENCES:**

ITEM	SHT NO.	ITEM	SHT NO.
CROSS SECTIONS	112-119		
TRAFFIC CONTROL PLANS	124-154		
MAINTENANCE OF TRAFFIC PLANS	155-164		

**END WORK  
STA. 291+29**

**I-90**  
**END PROJECT  
STA. 280+89  
S.L.M. 13.00  
IM-90-1(178)  
NH-90-1(178)**

T:\DGN\LAK-90\PLANSET\057746PNDGN

T:\DGN\LAK-90\PLANSET\057746PNDGN