

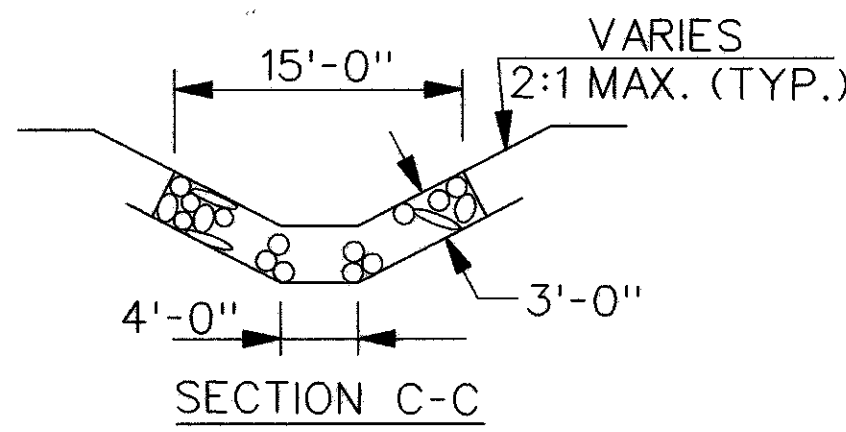
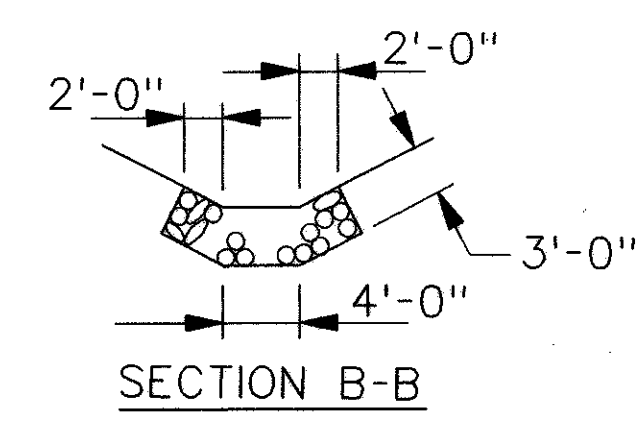
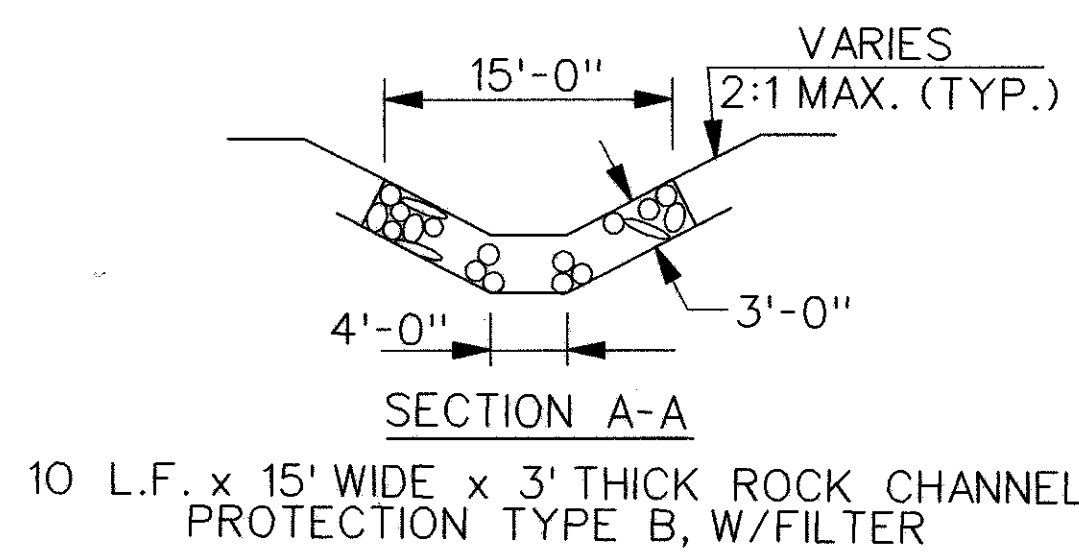
PLAN SHEET

LAKE COUNTY
LAK-90-6.71

OHIO

FHWA
REGION 5

26
182



LEGEND:

- ○ = EXISTING C.B. OR M.H.
- ● = C.B. OR M.H. ADJUSTED/RECONSTRUCTED TO GRADE AS PER PLAN
- ● = NEW C.B. OR M.H.
- ▨ ○ = NEW C.B. OR M.H. CASTING
- ▨ = ROCK CHANNEL PROTECTION, TYPE B, WITH FILTER
- ▨ = DITCH CLEAN-OUT (SEE GENERAL NOTE)
- = EXIST. U.D.
- - - = PROPOSED U.D.
- = EXIST. & PROP. U.D.
- = CONSTRUCTION LIMITS

S.R. 615
G.R. TO PIER CLEARANCES f/f

DIRECTION	SIDE	L.F.
E.B.	RT.	2.03
E.B.	LT.	1.98
W.B.	RT.	2.03
W.B.	LT.	1.98

REFERENCES:

ITEM	SHT NO.	ITEM	SHT NO.
CROSS SECTIONS	62-69	FENCING PLAN	165-166
TRAFFIC CONTROL PLANS	124-154		
MAINTENANCE OF TRAFFIC PLANS	155-164		

BENCHMARK:
P.K. NAIL IN CONCRETE
MONUMENT C 1-90
ELEV. 765.715