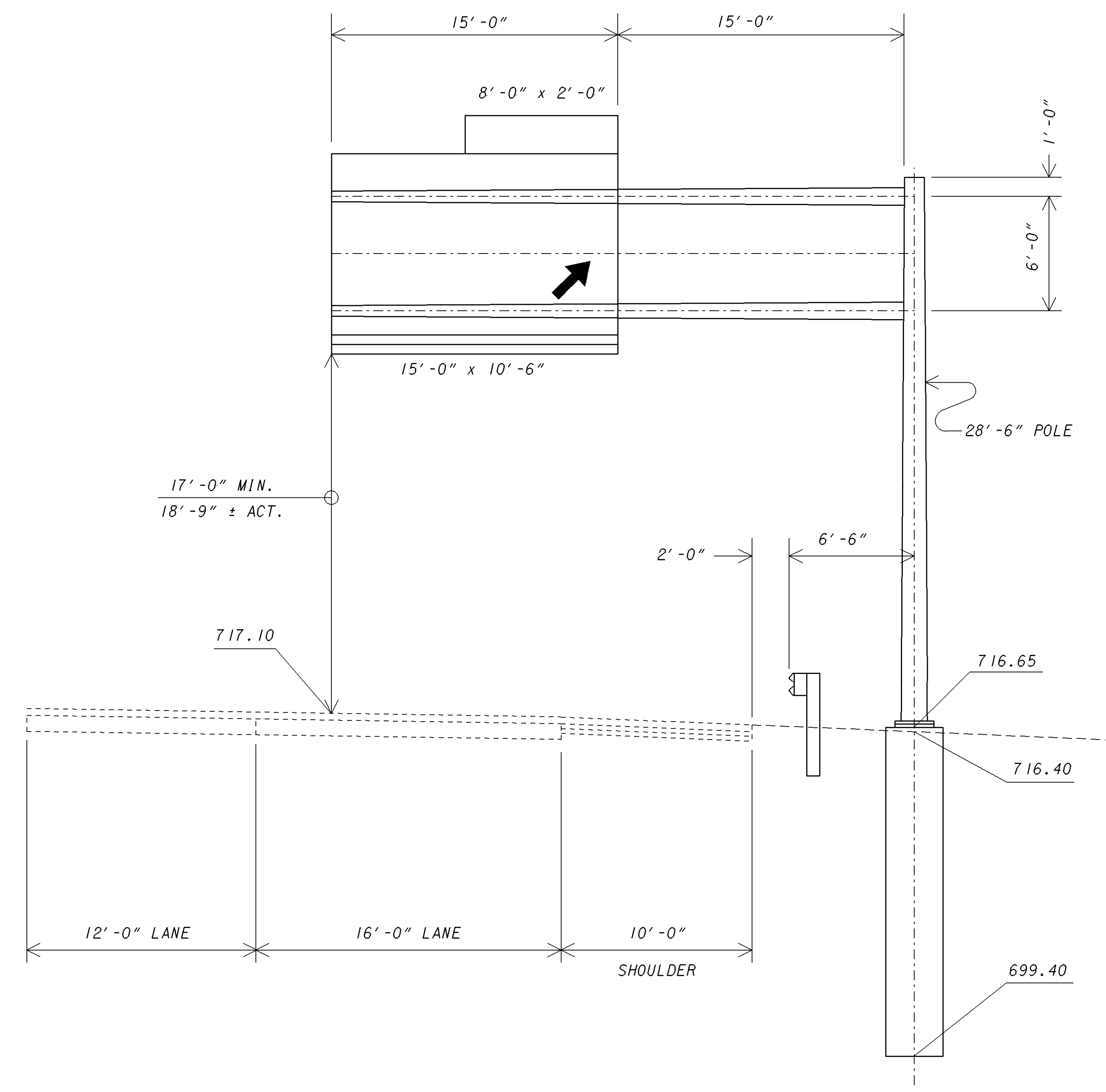


OVERHEAD SIGN AND SIGN SUPPORT NO.S-15
STA. 319+40, IR-90 EB
STD. NO.12.30, DESIGN NO. 10
28'-0" ARMS



OVERHEAD SIGN AND SIGN SUPPORT NO.S-16
STA. 343+50, IR-90 EB
STD. NO.12.30, DESIGN NO. 10
30'-0" ARMS

NOTES:

1. ALL ELEVATIONS SHOWN ARE FOR REFERENCE ONLY. ELEVATIONS SHOULD BE FIELD VERIFIED TO INSURE PROPER ERECTION.
2. ALL ELEVATION VIEWS ARE SHOWN IN DIRECTION OF VIEWING SIGN FACES.

I:\PROJECTS\121219\23129\tead.dgn 25-FEB-2002 10:29AM fkonopka