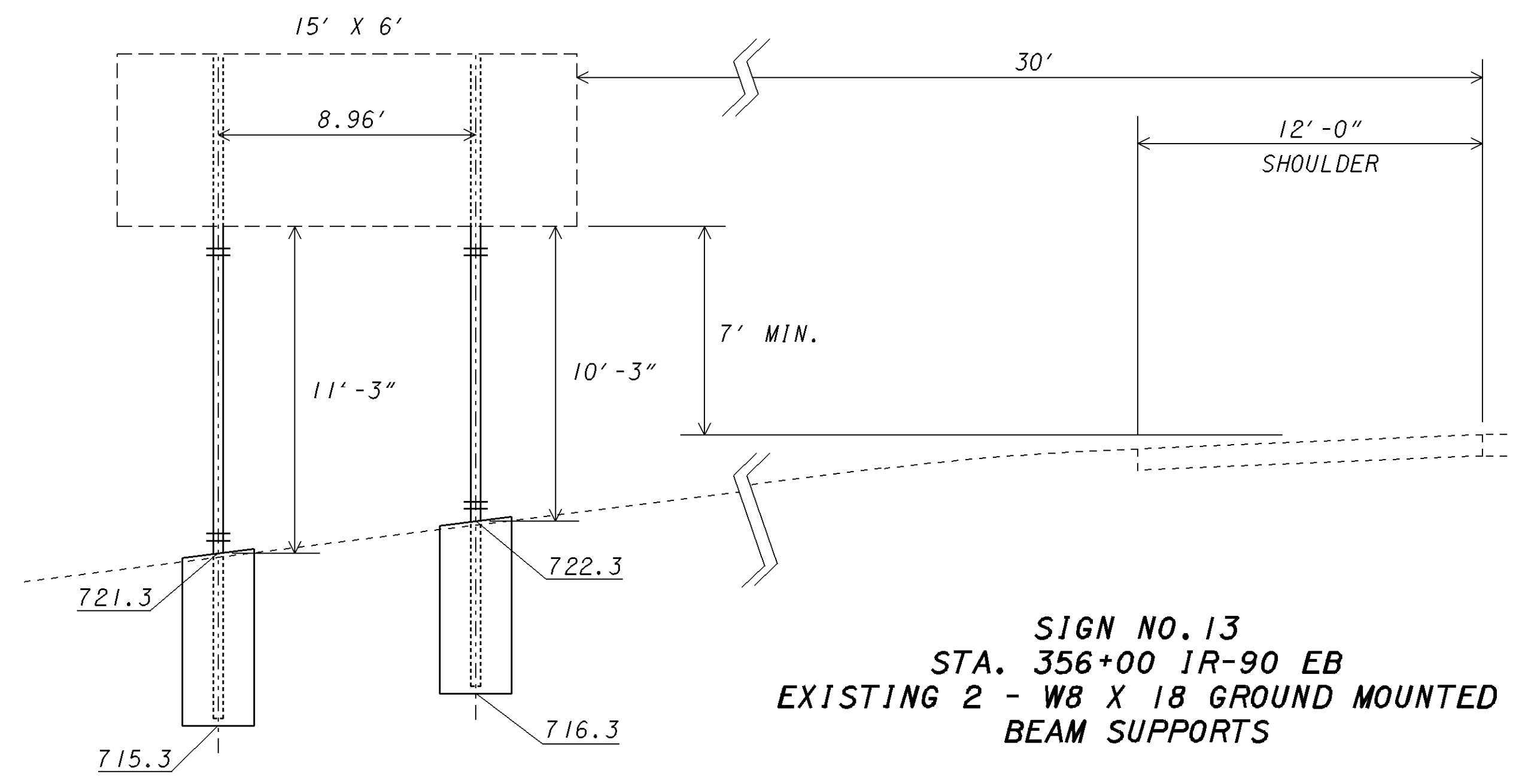
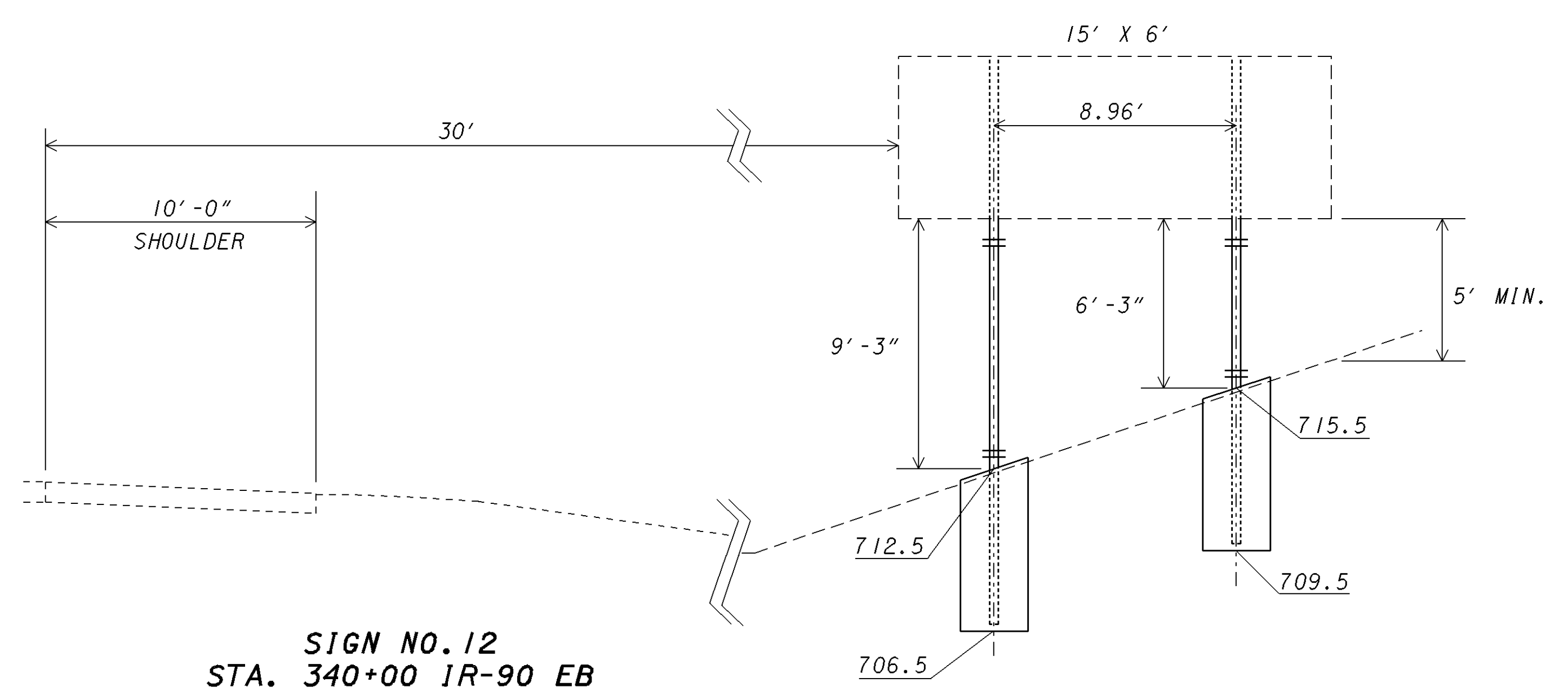


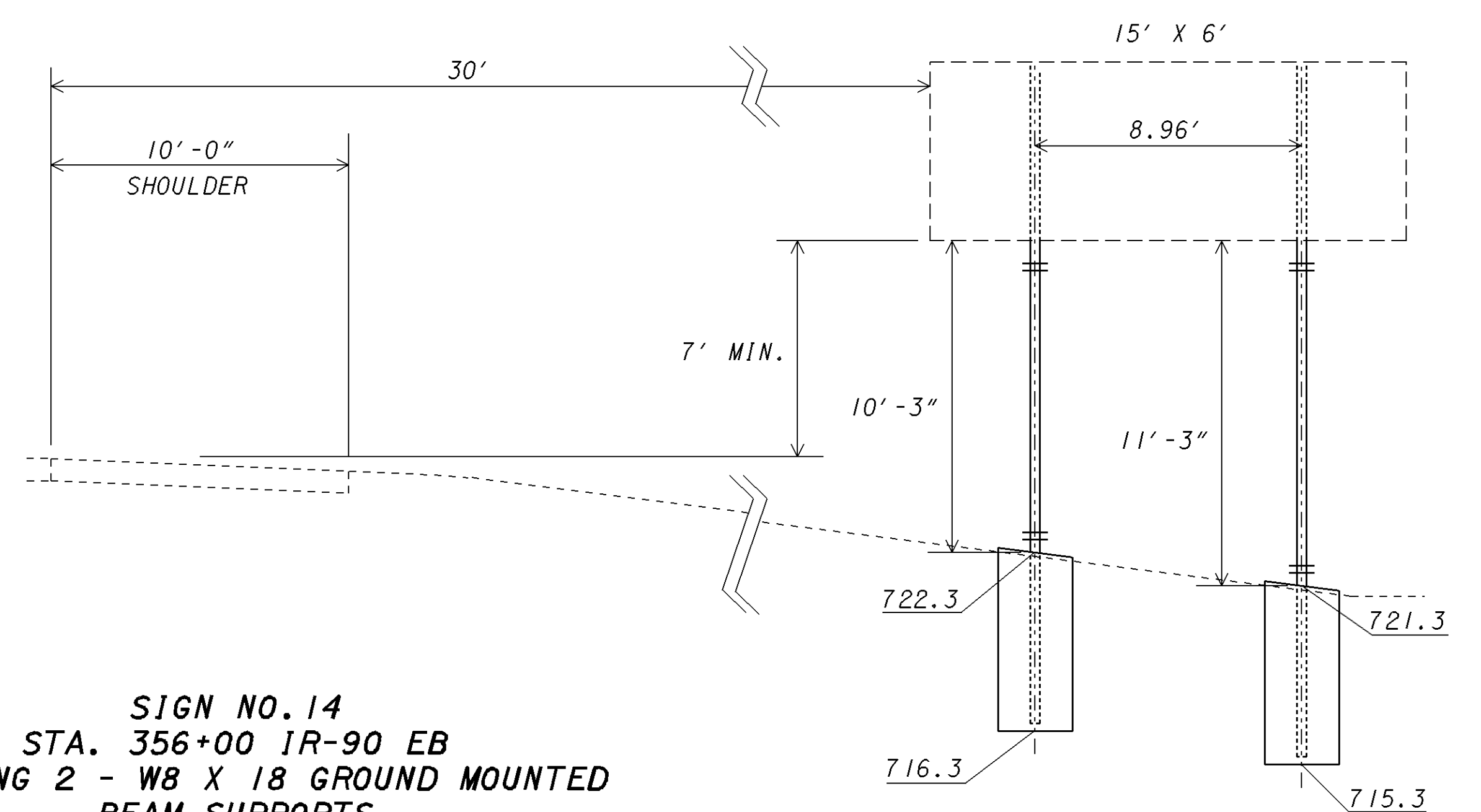
**SIGN NO. 11**  
**STA. 340+00 IR-90 EB**  
**EXISTING 2 - W10 X 12 GROUND MOUNTED**  
**BEAM SUPPORTS**  
**ERECT SIGN NO. S-5 ON PROPOSED SUPPORTS**



**SIGN NO. 13**  
**STA. 356+00 IR-90 EB**  
**EXISTING 2 - W8 X 18 GROUND MOUNTED**  
**BEAM SUPPORTS**  
**ERECT SIGN NO. S-7 ON PROPOSED SUPPORTS**



**SIGN NO. 12**  
**STA. 340+00 IR-90 EB**  
**EXISTING 2 - W10 X 12 GROUND MOUNTED**  
**BEAM SUPPORTS**  
**ERECT SIGN NO. S-6 ON PROPOSED SUPPORTS**



**SIGN NO. 14**  
**STA. 356+00 IR-90 EB**  
**EXISTING 2 - W8 X 18 GROUND MOUNTED**  
**BEAM SUPPORTS**  
**ERECT SIGN NO. S-8 ON PROPOSED SUPPORTS**

**NOTES:**

1. ALL ELEVATIONS SHOWN ARE FOR REFERENCE ONLY. ELEVATIONS SHOULD BE FIELD VERIFIED TO INSURE PROPER ERECTION.
2. ALL ELEVATION VIEWS ARE SHOWN IN DIRECTION OF VIEWING SIGN FACES.

I:\PROJECTS\1123129\23129\1123129.dgn 25-FEB-2002 10:28AM fkonopka