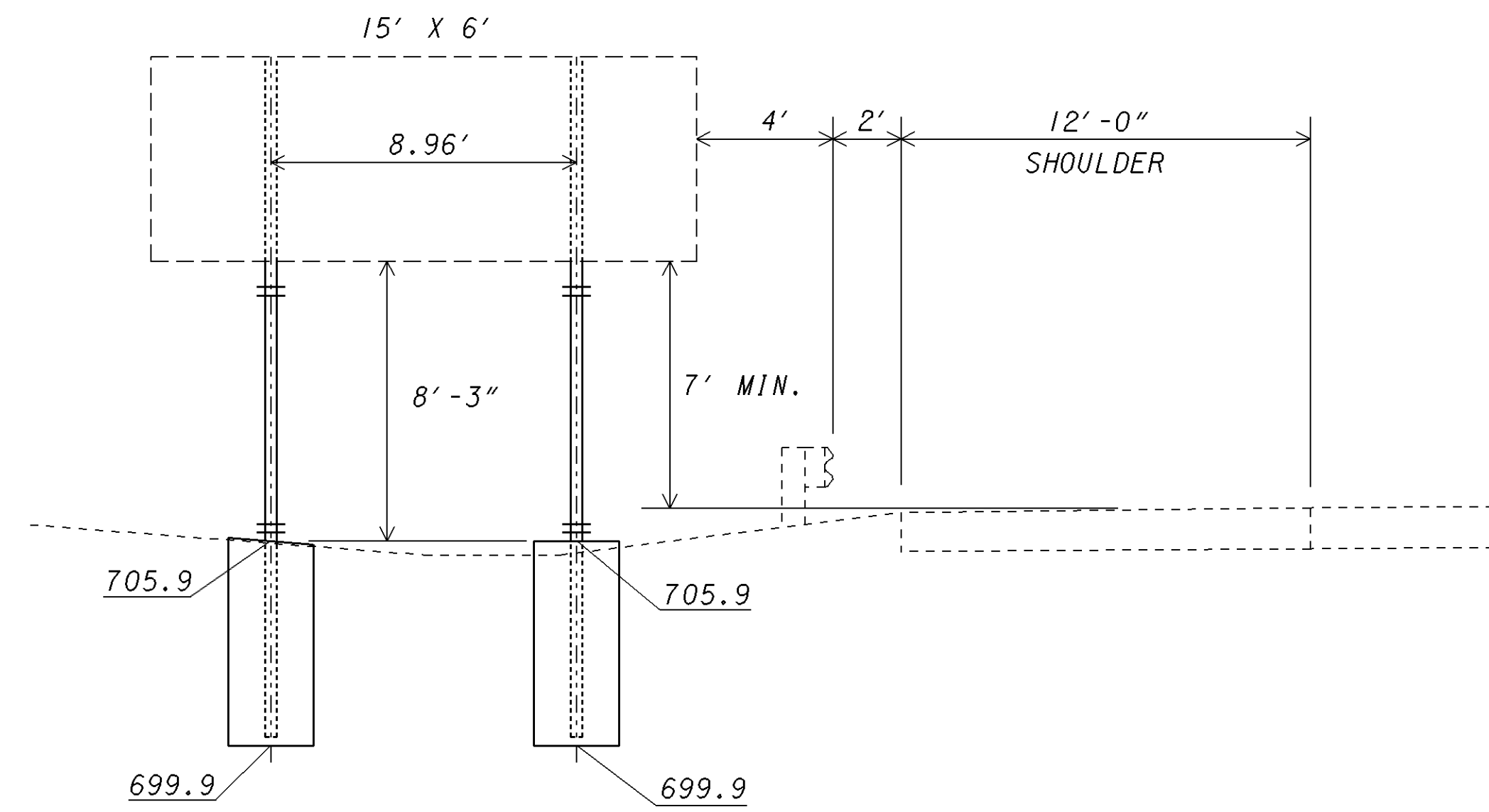
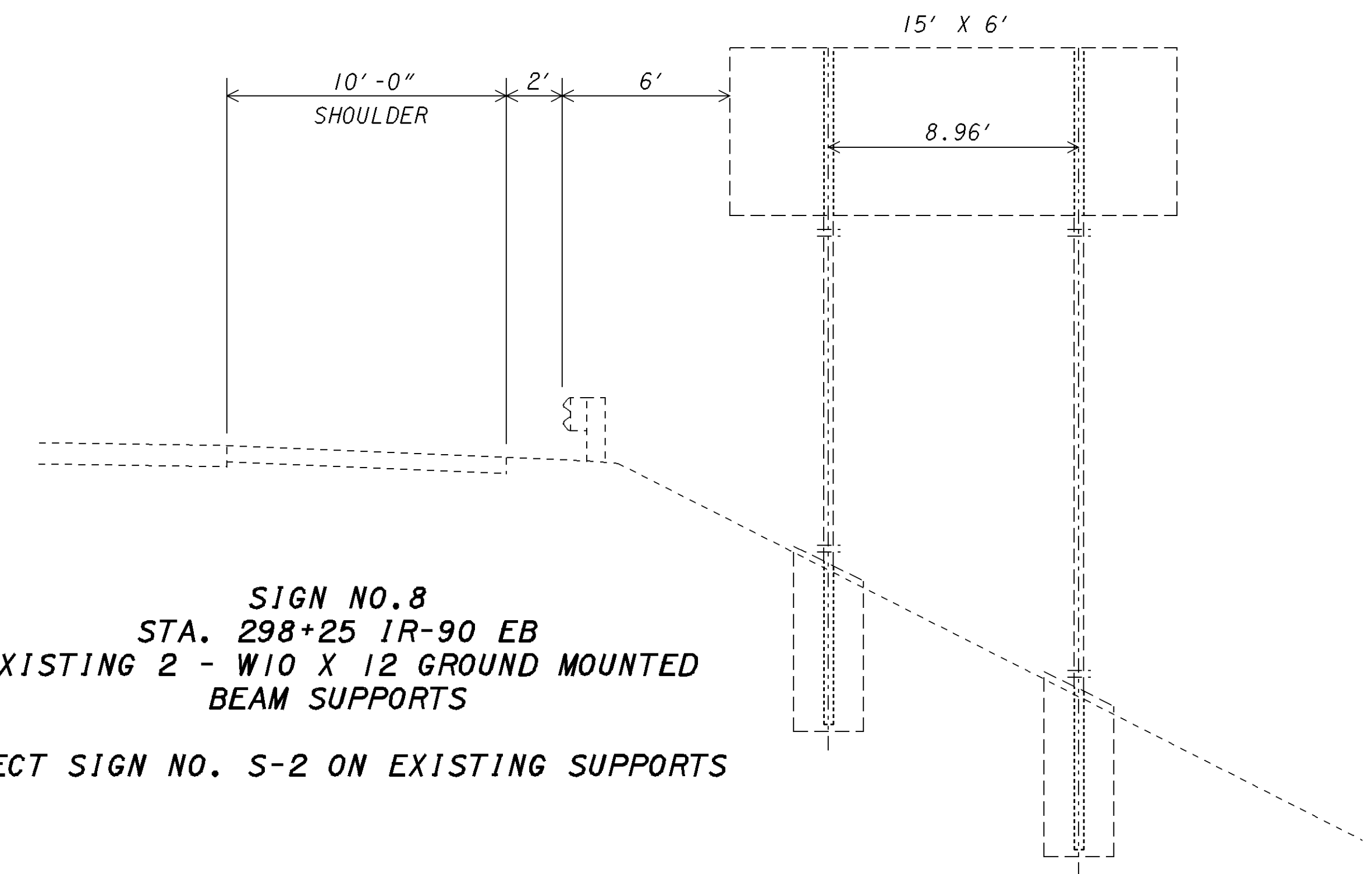


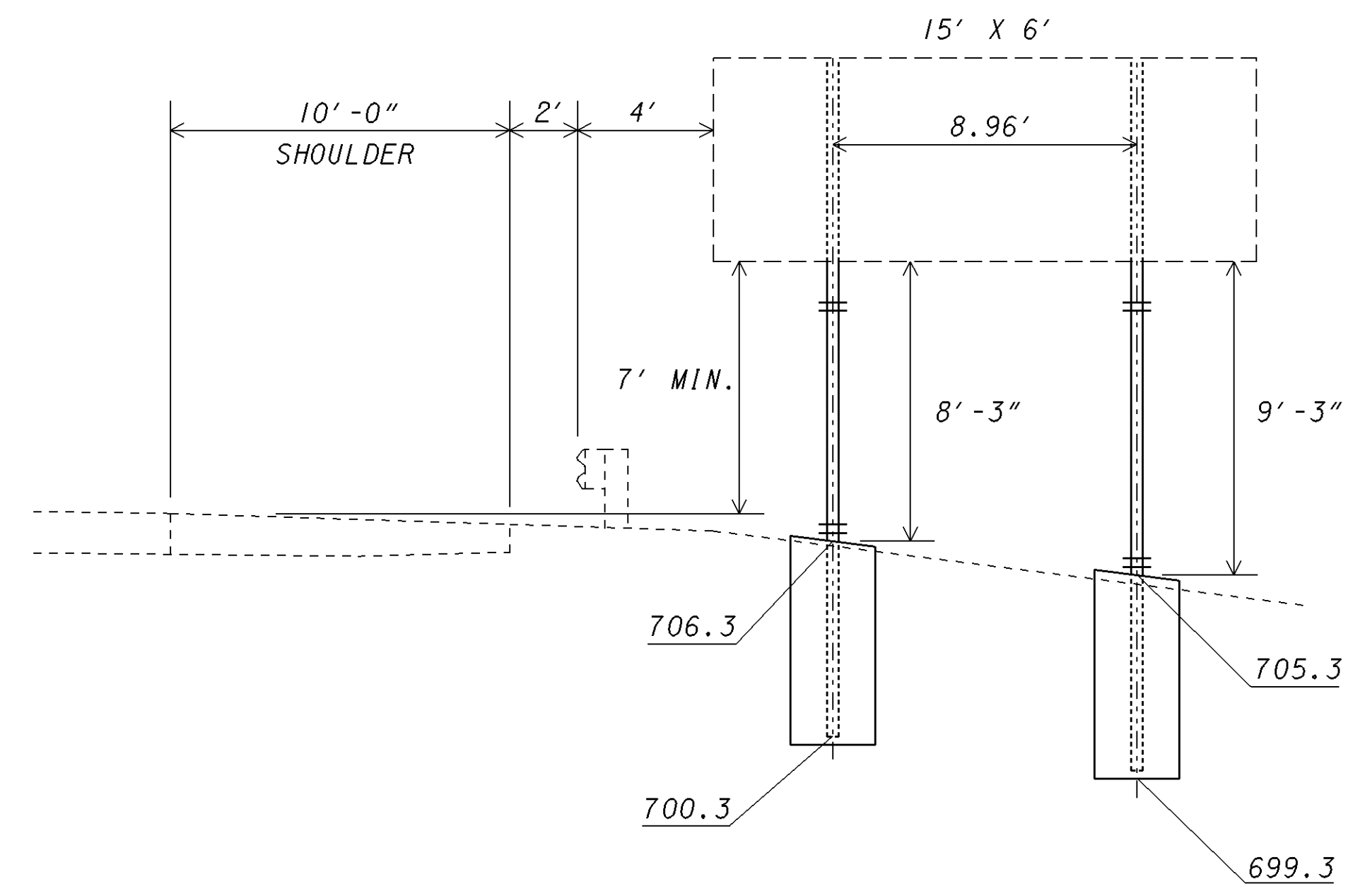
**SIGN NO. 7**  
**STA. 298+25 IR-90 EB**  
**EXISTING 2 - W10 X 12 GROUND MOUNTED**  
**BEAM SUPPORTS**  
**ERECT SIGN NO. S-1 ON EXISTING SUPPORTS**



**SIGN NO. 9**  
**STA. 328+50 IR-90 EB**  
**2 - W10 X 12 GROUND MOUNTED**  
**BEAM SUPPORTS WITH BREAKAWAYS**  
**ERECT SIGN NO. S-3 ON PROPOSED SUPPORTS**



**SIGN NO. 8**  
**STA. 298+25 IR-90 EB**  
**EXISTING 2 - W10 X 12 GROUND MOUNTED**  
**BEAM SUPPORTS**  
**ERECT SIGN NO. S-2 ON EXISTING SUPPORTS**



**SIGN NO. 10**  
**STA. 328+50 IR-90 EB**  
**2 - W10 X 12 GROUND MOUNTED**  
**BEAM SUPPORTS WITH BREAKAWAYS**  
**ERECT SIGN NO. S-4 ON PROPOSED SUPPORTS**

**NOTES:**

1. ALL ELEVATIONS SHOWN ARE FOR REFERENCE ONLY. ELEVATIONS SHOULD BE FIELD VERIFIED TO INSURE PROPER ERECTION.
2. ALL ELEVATION VIEWS ARE SHOWN IN DIRECTION OF VIEWING SIGN FACES.

I:\PROJECTS\1123129\23129\read.dgn 25-FEB-2002 10:28AM fkonopka