

Calc: JBJ 3-3-86  
Checked: EJA 3-3-86

|             |       |         |
|-------------|-------|---------|
| FHWA REGION | STATE | PROJECT |
| 5           | OHIO  |         |

LAKE COUNTY  
LAK-90-6.05

PLAN NO. BR-17-86

# ESTIMATED QUANTITIES

BRIDGE LAK-90-0605 L & R

| ITEM | TOTAL | UNIT     | DESCRIPTION  |
|------|-------|----------|--|
| 201  | LUMP  | LUMP     | CLEARING AND GRUBBING  |
| 202  | 840   | LIN. FT. | FENCE REMOVED  |
| 202  | 1     | EACH     | BRIDGE TERMINAL ASSEMBLY TYPE A, REMOVED                         |
| 202  | 60    | LIN. FT. | GUTTER REMOVED   |
| 203  | 1425  | CU. YDS. | EXCAVATION NOT INCLUDING EMBANKMENT CONSTRUCTION                 |
| 203  | 2186  | CU. YDS. | EMBANKMENT   |
| 503  | 126   | CU. YDS. | UNCLASSIFIED EXCAVATION INCLUDING SHALE                          |
| 601  | 2253  | CU. YDS. | ROCK CHANNEL PROTECTION, TYPE A, WITH FILTER FABRIC              |
| 601  | 399   | CU. YDS. | ROCK CHANNEL PROTECTION, TYPE D, WITH FILTER FABRIC              |
| 601  | 38    | CU. YDS. | ROCK CHANNEL PROTECTION, TYPE D, WITH FILTER FABRIC, AS PER PLAN |
| 607  | 840   | LIN. FT. | FENCE, TYPE 47   |
| 606  | 1     | EACH     | BRIDGE TERMINAL ASSEMBLY, TYPE A                                 |
| 659  | 1694  | SQ. YD.  | SEEDING AND MULCHING   |
| 659  | 0.76  | TON      | AGRICULTURAL LIMING  |
| 659  | 0.15  | TON      | COMMERCIAL FERTILIZER  |
| 614  | LUMP  | LUMP     | MAINTAINING TRAFFIC  |
| 623  | LUMP  | LUMP     | CONSTRUCTION LAYOUT STAKES                                       |
| 624  | LUMP  | LUMP     | MOBILIZATION   |

| EARTHWORK RECAP |                    |       |   |                       |                                 |
|-----------------|--------------------|-------|---|-----------------------|---------------------------------|
| SHEET NO.       | LOCATION (STATION) |       | ITEM 203  | ITEM 203              | ITEM 659                        |
|                 | FROM               | TO    | EXCAVATION NOT INCLUDING EMBANKMENT CONSTRUCTION<br>CU. YD. | EMBANKMENT<br>CU. YD. | SEEDING AND MULCHING<br>SQ. YD. |
| 4 & 5           | 10+00              | 11+75 | 845   | 248                   | 686                             |
| 5 & 6           | 11+75              | 12+25 | 242   | 230                   | 0                               |
| 6, 7 & 8        | 12+25              | 14+25 | 81  | 1095                  | 558                             |
| 9 & 10          | 14+25              | 15+75 | 257   | 313                   | 450                             |
| SUB TOTAL       |                    |       | 1425  | 1886                  | 1694                            |
| CONTINGENCY     |                    |       | 0   | 300                   | 0                               |
| TOTAL           |                    |       | 1425  | 2186                  | 1694                            |

PROPOSED WORK

1. PROTECT EAST SLOPE WITH GROUTED ROCK CHANNEL PROTECTION AND DUMPED ROCK FILL.

STANDARD DRAWINGS

F-1 DATED 11-10-83  
F-3 DATED 5/1/76  
TC-35.10 DATED 10/5/77

EXISTING STRUCTURE VERIFICATION

DETAILS AND DIMENSIONS SHOWN ON THESE PLANS PERTAINING TO THE EXISTING STRUCTURE HAVE BEEN OBTAINED FROM PLANS OF THE EXISTING STRUCTURE AND/OR FROM FIELD OBSERVATION AND MEASUREMENTS, CONSEQUENTLY, THEY ARE INDICATIVE OF THE EXISTING STRUCTURE AND THE PROPOSED WORK, BUT THEY SHALL BE CONSIDERED TENTATIVE AND APPROXIMATE. THE CONTRACTOR IS REFERRED TO CMS SECTION 102.05 AND 105.02.

CONTRACT BID PRICES SHALL BE BASED UPON A RECOGNITION OF THE UNCERTAINTIES DESCRIBED ABOVE AND UPON A PREBID EXAMINATION OF THE EXISTING STRUCTURE BY THE CONTRACTOR. HOWEVER, ALL PROJECT WORK SHALL BE BASED UPON THE ACTUAL DETAILS AND DIMENSIONS WHICH HAVE BEEN VERIFIED BY THE CONTRACTOR IN THE FIELD. PLANS OF THE EXISTING STRUCTURE INCLUDING STANDARD DRAWINGS ARE AVAILABLE FOR EXAMINATION AT THE OHIO DEPARTMENT OF TRANSPORTATION, DISTRICT TWELVE OFFICE IN GARFIELD HEIGHTS, OHIO.

RIGHT OF WAY

ALL WORK SHALL BE PERFORMED WITHIN THE RIGHT OF WAY.

CONTINGENCY QUANTITIES

THE CONTRACTOR SHALL NOT ORDER MATERIALS OR PERFORM WORK FOR PLAN ITEMS SET UP TO BE USED "AS DIRECTED BY THE ENGINEER" UNLESS AUTHORIZED BY THE ENGINEER.

ITEM 203 - EMBANKMENT

QUANTITIES SHOWN ON PLAN CROSS SECTIONS ARE BASED ON AN AERIAL SURVEY AND FIELD OBSERVATIONS. DUE TO CONSTANTLY CHANGING FIELD CONDITIONS, A CONTINGENCY QUANTITY OF 300 CUBIC YARDS OF EMBANKMENT IS INCLUDED IN THE ESTIMATED QUANTITY TO BE USED AS DIRECTED BY THE ENGINEER TO PRODUCE THE PLANNED EMBANKMENTS. ALL OR PART OF THE CONTINGENCY AMOUNT IS SUBJECT TO NON-PERFORMANCE WITHOUT PENALTY TO THE STATE OF OHIO.

ITEM 601 - ROCK CHANNEL PROTECTION, TYPE D, WITH FILTER FABRIC, AS PER PLAN

THIS ITEM SHALL BE USED TO CONSTRUCT AN 18" THICK GUTTER USING TYPE D ROCK WITH FILTER FABRIC AND SHALL BE GROUTED IN PLACE. ALL COST FOR GROUTING SHALL BE INCLUDED IN THE UNIT BID PRICE FOR ITEM 601 - ROCK CHANNEL PROTECTION, TYPE D, WITH FILTER FABRIC, AS PER PLAN.

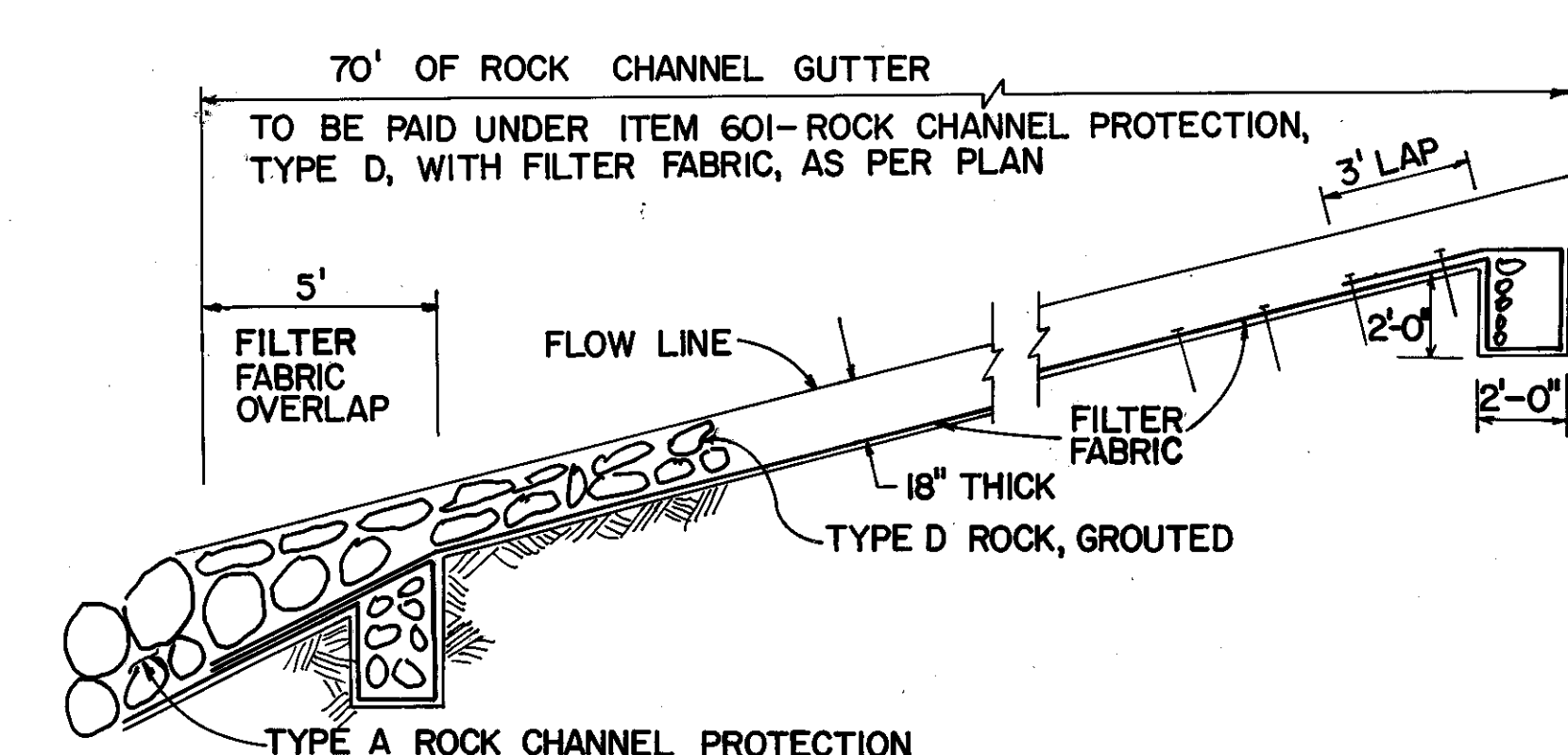
ITEM 601 - ROCK CHANNEL PROTECTION, TYPE A, WITH FILTER FABRIC

ALL ROCK CHANNEL PROTECTION ABOVE THE NORMAL WATER ELEVATION SHALL BE GROUTED.

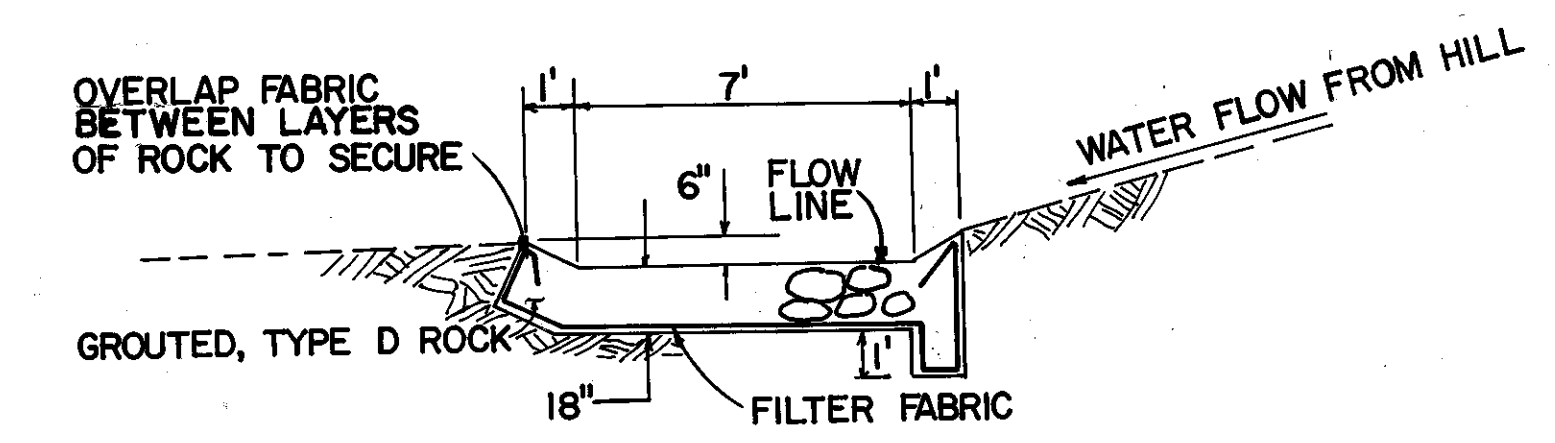
ALL COSTS FOR GROUTING SHALL BE INCLUDED IN THE UNIT BID PRICE FOR ITEM 601 - ROCK CHANNEL PROTECTION, TYPE A, WITH FILTER FABRIC.

FILTER FABRIC

THE CONTRACTOR IS ADVISED TO USE EXTREME CAUTION WHEN PLACING ROCK CHANNEL PROTECTION ON ALL FILTER FABRIC. ANY FILTER FABRIC WHICH IS DAMAGED, TORN, OR PUNCTURED SHALL BE REPLACED IN FULL LENGTH BY THE CONTRACTOR AT NO ADDITIONAL COST TO THE STATE OF OHIO.



SECTION OF GUTTER



TYPICAL SECTION

GUTTER DETAILS