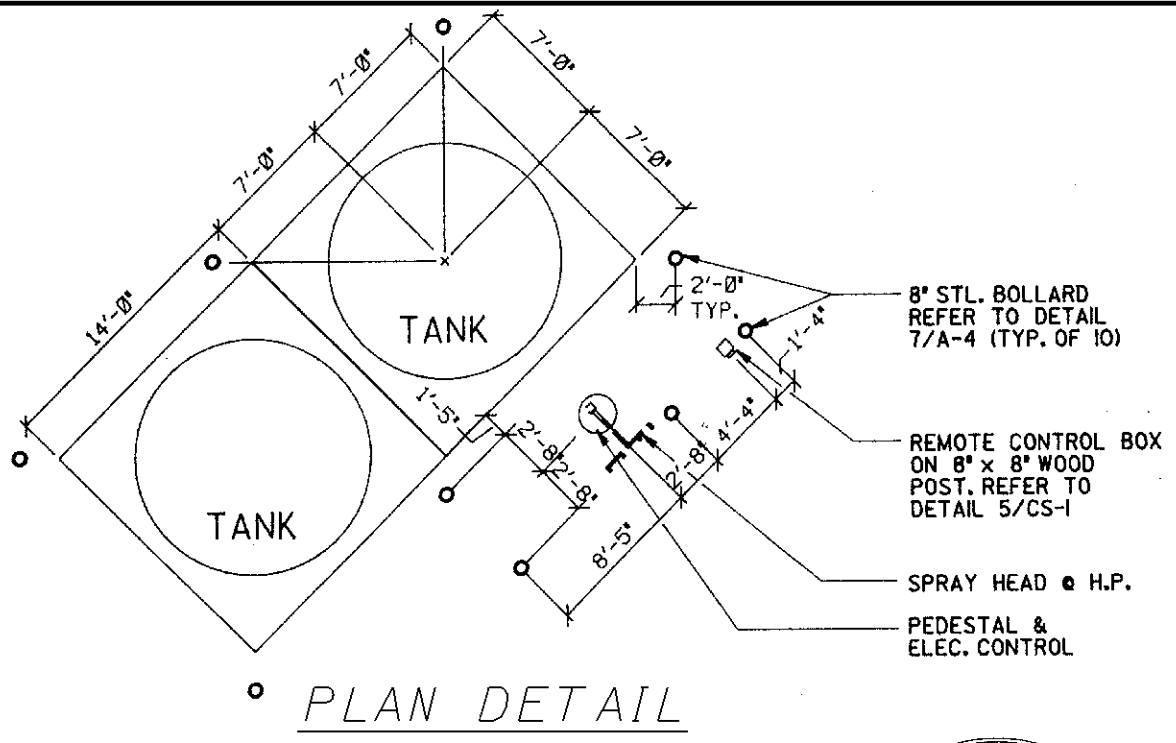
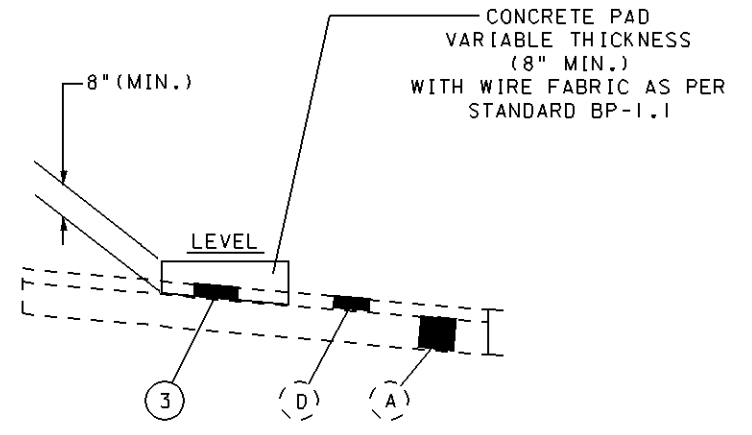


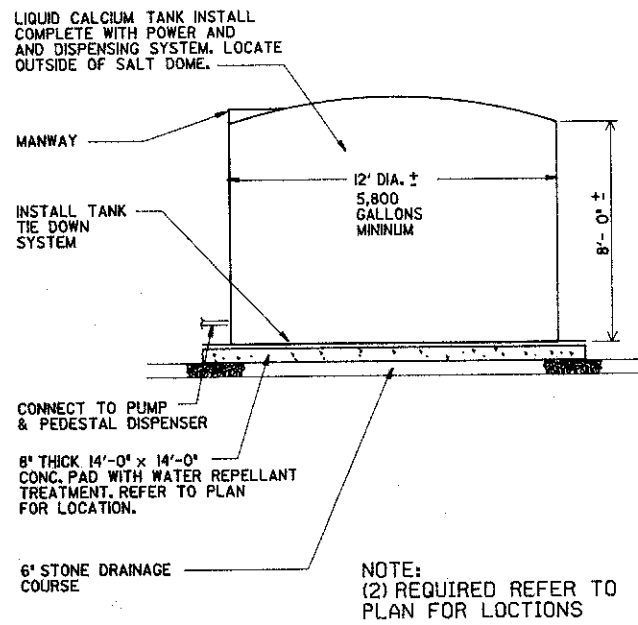
7 **DETAIL** 3/4" = 1'-0"
A-4 BOLLARD DETAIL



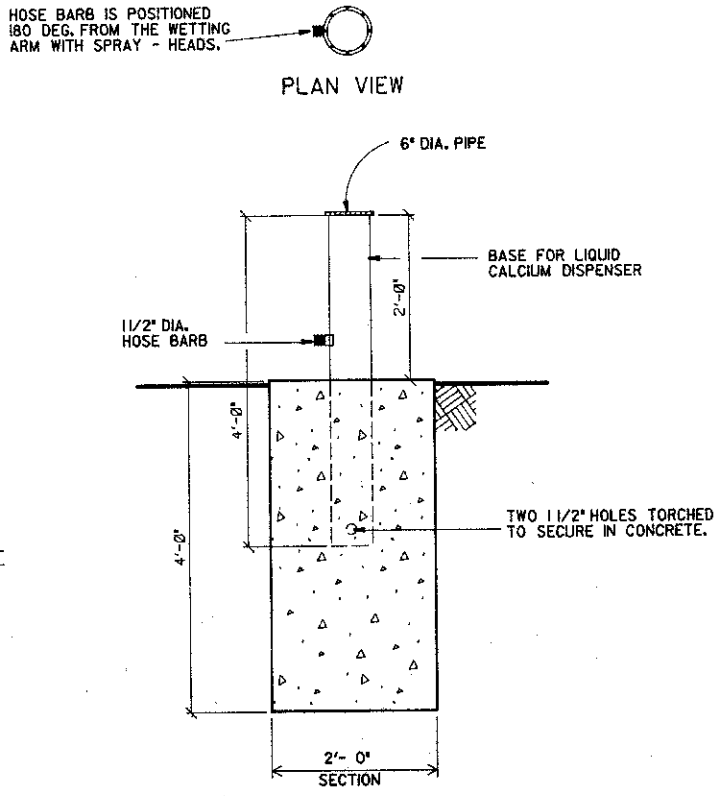
PLAN DETAIL



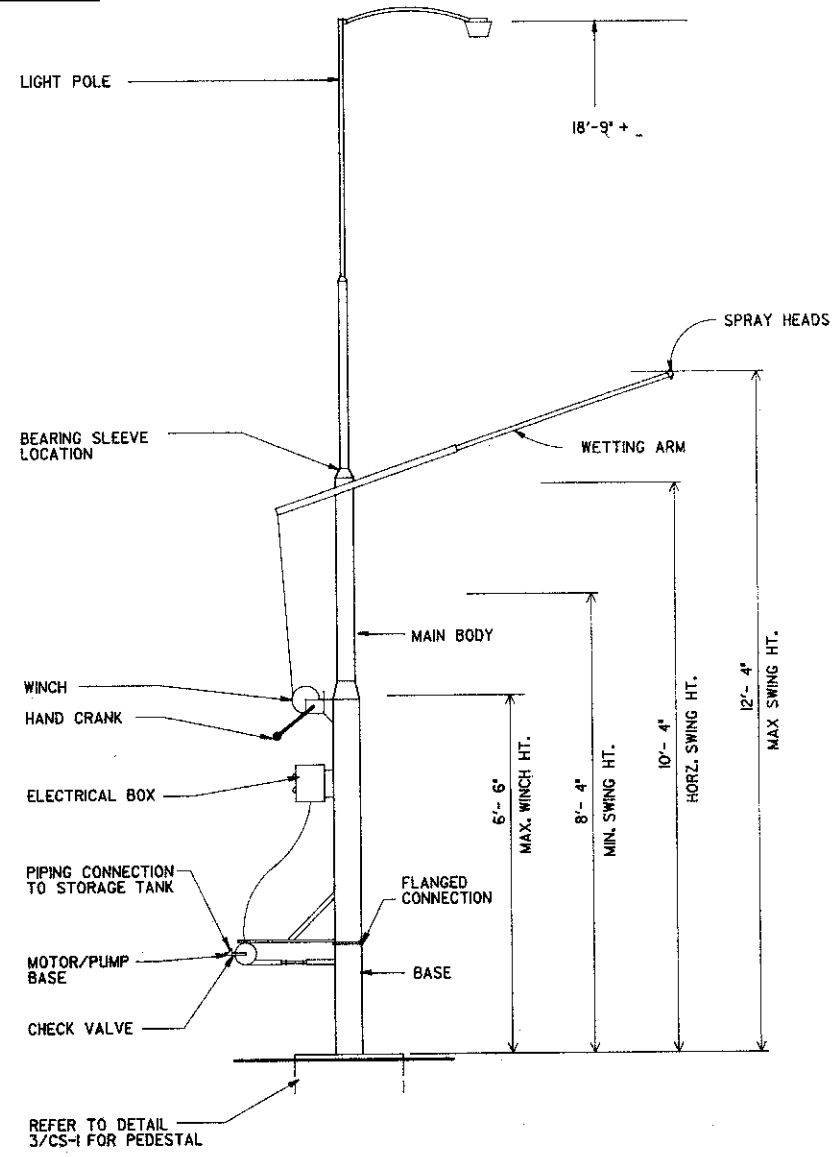
CONCRETE PAD DETAIL
SEE SHEET 2 FOR LEGEND



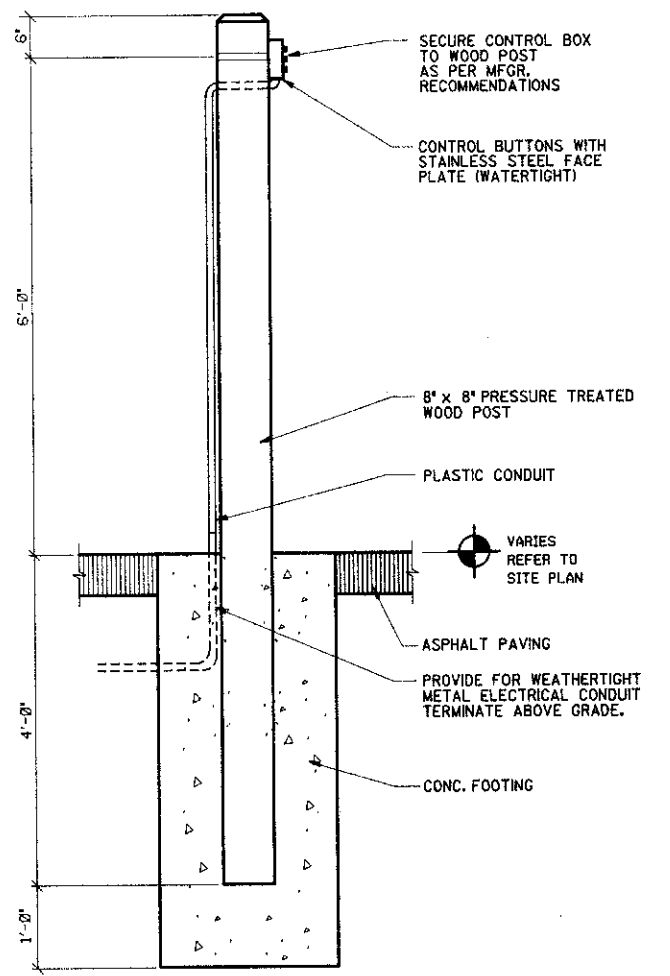
2 **DETAIL**
CS-1 LIQUID CALCIUM STORAGE TANK



3 **DETAIL**
CS-1 PEDESTAL BASE



4 **DETAIL**
CS-1 LIQUID CALCIUM DISPENSER



5 **DETAIL**
CS-1 CONTROL POST

I:\PROJECTS\Pld20817\dgn\20817gbb.dgn 30-DEC-1999 8:59AM jgrmvsse

CALCULATED
CHECKED

**WEIGH STATION SALT DOME
DETAIL SHEET**

LAK-90-4.12

5
6